



Ersatzteile

AS 940 Sherpa 4WD
- from serial No. 021910100001

Seriennummer, Сериен номер, Sériové číslo, Serial number, Número de serie, Sarjanumero, Numéro de série, Serijski broj, Sorozatszám, Numero di serie, Serijos numeris, Seriennummer, Numer seryjny, Serijska številka

DE Hier Aufkleber aus Garantiekarte aufkleben.
BG Залепете тук стикери от гаранционната Карта.
CZ Sem nalepte nálepku ze záručního listu.
DK Her skal mærkaten fra garantikortet klæbes på.
GB Please adhere the sticker from the warranty card here.
ES Pegar aquí el adhesivo de la tarjeta de garantía.
FI Liimaa takuukortin tarra tähän.
FR Collez ici l'autocollant placé sur la carte de garantie .
HR Ovdje zalijepite naljepnicu iz jamstvenog lista.

HU Ide ragassza a matricát a garanciakártyából.
IT Applicare qui l'etichetta, come scheda di garanzia.
LT Čia užklijuokite garantijos pase pateiktą lipduką.
NL Plak hier sticker uit garantiekaart.
NO Lim klistremerke fra garantikortet inn her.
PL Tutaj nakleić naklejkę na kartę gwarancyjną.
SL Tukaj nalepite nalepko z garancijskega lista.
SE Klistra fast etiketten från garantikortet här.

Ab Serien Nr.: from serial No. 021910100001

Ausgabe: 22.01.2021, EN

AS-Motor Germany GmbH & Co. KG
Ellwanger Straße 15
D-74424 Bühlertann
Telefon 07973-9123-0
Telefax 07973-9123-259
www.as-motor.de

If you need spare parts:

1. Send your order to your AS-Motor dealer.
2. In order to get you the right spare part he needs:
 - **Model name (s. sticker on the machine)**
 - **Serial No. of machine (sticker or S/N lable)**
 - **Articlenumber**
 - **Your dealer orders part in our online system parts and more.**

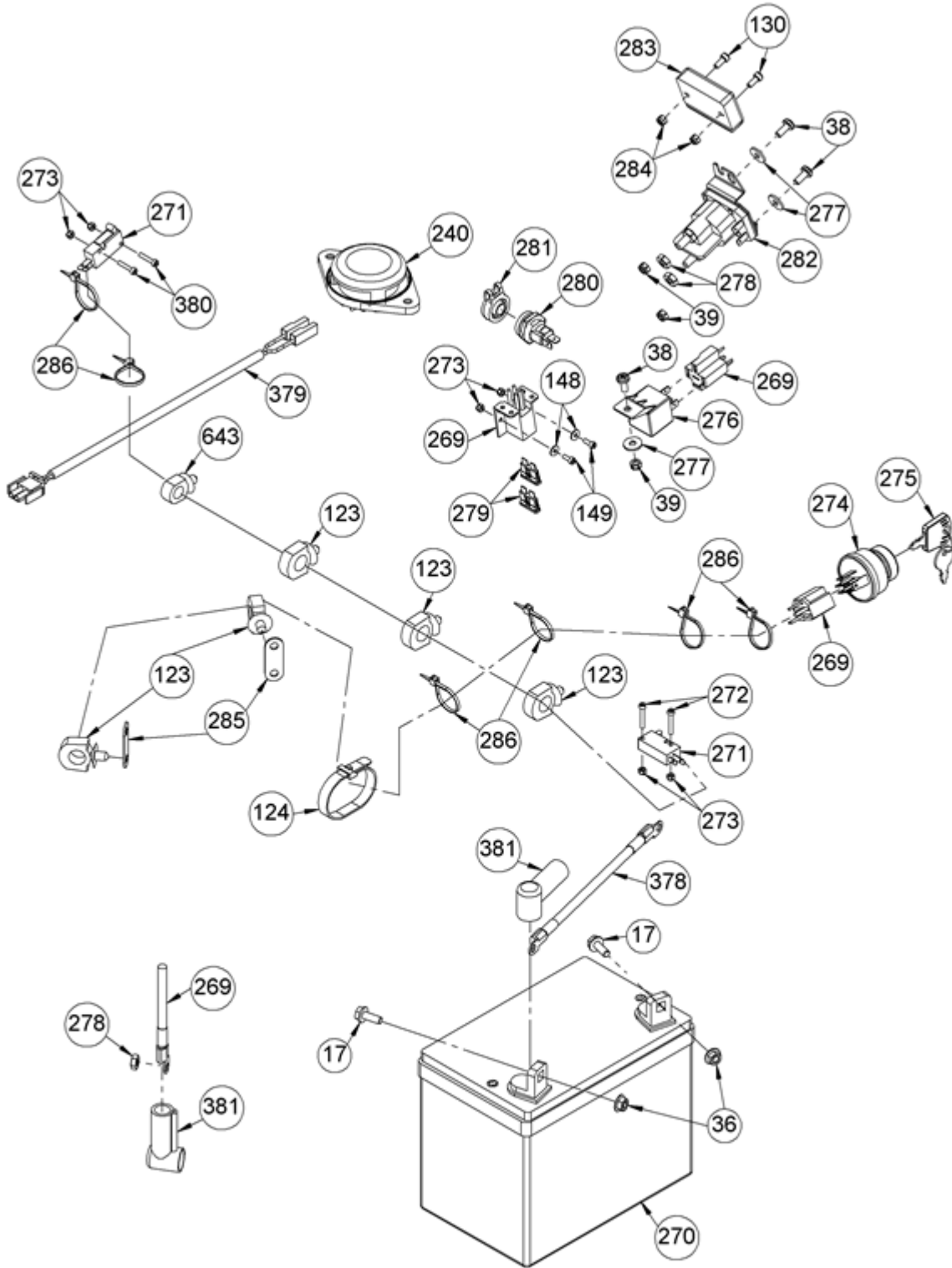
Only in this case you receive all important information about proper spare parts and possible technical changes.

Please fulfil only maintenance tasks mentioned in the owner manual by yourself. All other tasks have to be done by authorised AS-Motor dealer.

Subject to change without notice.

Images may show differences from the machines in production.

Electrical system

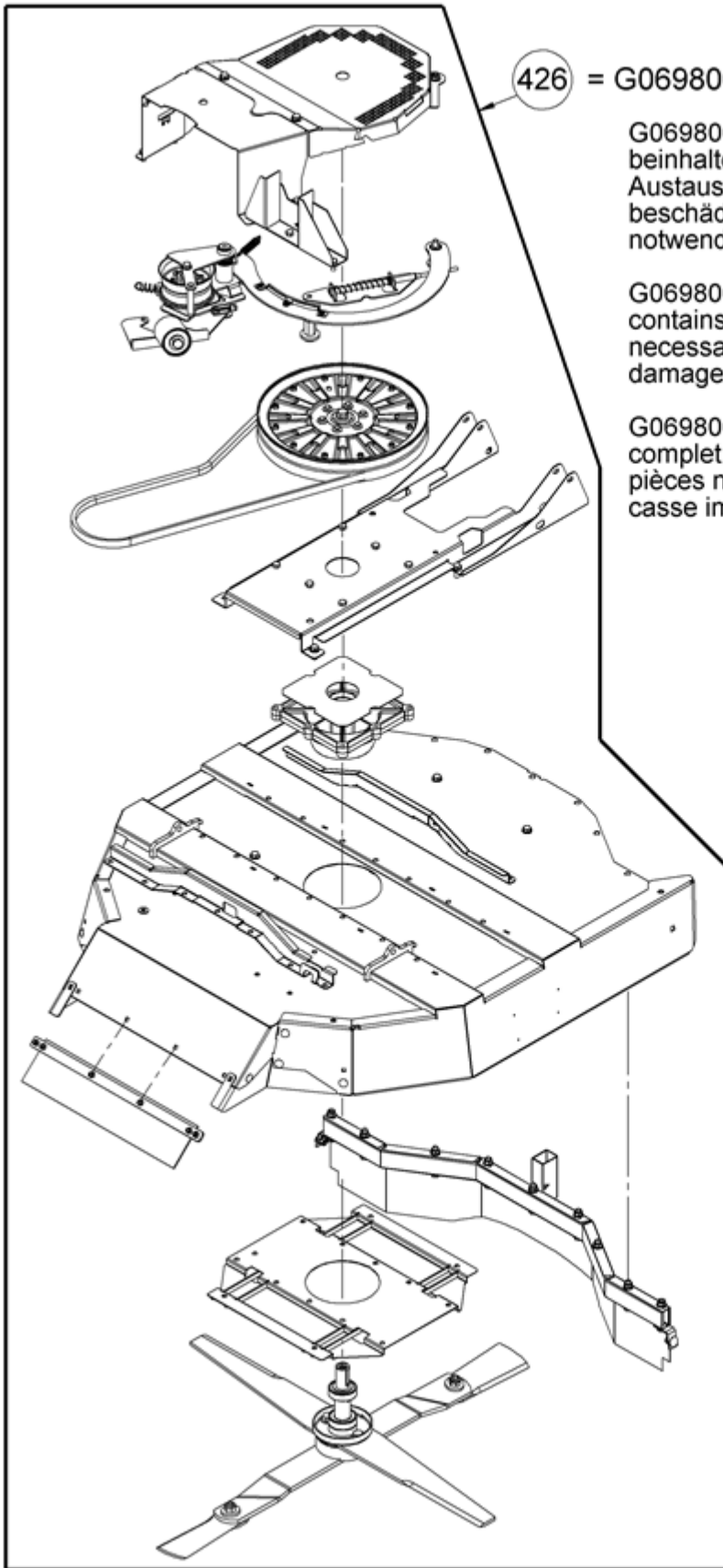


Electrical system

Item	Part-No.	Quantity	Description
17	G00009094 E07247	2	Locking screw (2 Stk.)
36	G00007041 E05975	2	Selflocking nut with serrated bearing (3

38	G00009128	E10373	3	Self-tapping Torx screw (10 Stk.)
39	G07846002	E01932	3	Self-locking hex nut (5 Stk.)
123	G00026045	E11599	5	Cable holder Ø 15.5-Ø 18.6 mm
124	G00026003	E03782	1	Cable tape (2 Stk.)
130	G07833029	E08544	2	Hexagon socket head cap screw (5 Stk.)
148	G07880009	E07936	2	Disc (5 Stk.)
149	G07833045	E11608	2	Hexagon socket head cap screw (10 Stk.)
240	G06650532	E08160	1	Seat contact switch
269	G06927001	G06927001	1	Wiring harness with switch
270	G06927003	E11677	1	Battery
271	G06927006	E08536	2	Switch
272	G07833043	E11680	2	Hexagon socket head cap screw (10 Stk.)
273	G07846016	E08540	6	Self-locking hex nut (5 Stk.)
274	G06927004	E07327	1	Ignition switch without key
275	G06927005	E07590	1	Ignition key
276	G06927002	E11731	1	Relay
277	G07880007	E03960	3	Disc (20 Stk.)
278	G00007058	E08539	2	Inch nut (5 Stk.)
279	G06650539	E08173	2	Fuse 25 A (alternator)
280	G06927009	E11678	1	Socket
281	G06927040	E11528	1	Replaced by G00051010
	⇒ G00051010	G00051010	1	Socket with protective cap
282	G06927007	E10660	1	Relay large
283	G06927008	E10740	1	Replaced by G06927019
	⇒ G06927019	G06927019	1	Operating hours counter
284	G07846011	E03947	2	Self-locking hex nut (10 Stk.)
285	G06927011	E11679	2	Plate (2 Stk.)
286	G00026006	E07956	6	Cable tape (4 Stk.)
378	G06927012	E11732	1	Earth cable with protective cap
379	G06927013	E11733	1	Seat switch cable
380	G07833044	E11681	2	Hexagon socket head cap screw (10 Stk.)
381	G06650346	E07556	2	Insulating cap
643	G00026049	G00026049	1	Cable holder

Mowing deck compl.



426 = G06980005

G06980005 - Messerhaube vollständig beinhaltet alle Teile die zum Austausch einer schwer beschädigten Messerhaube notwendig sind.

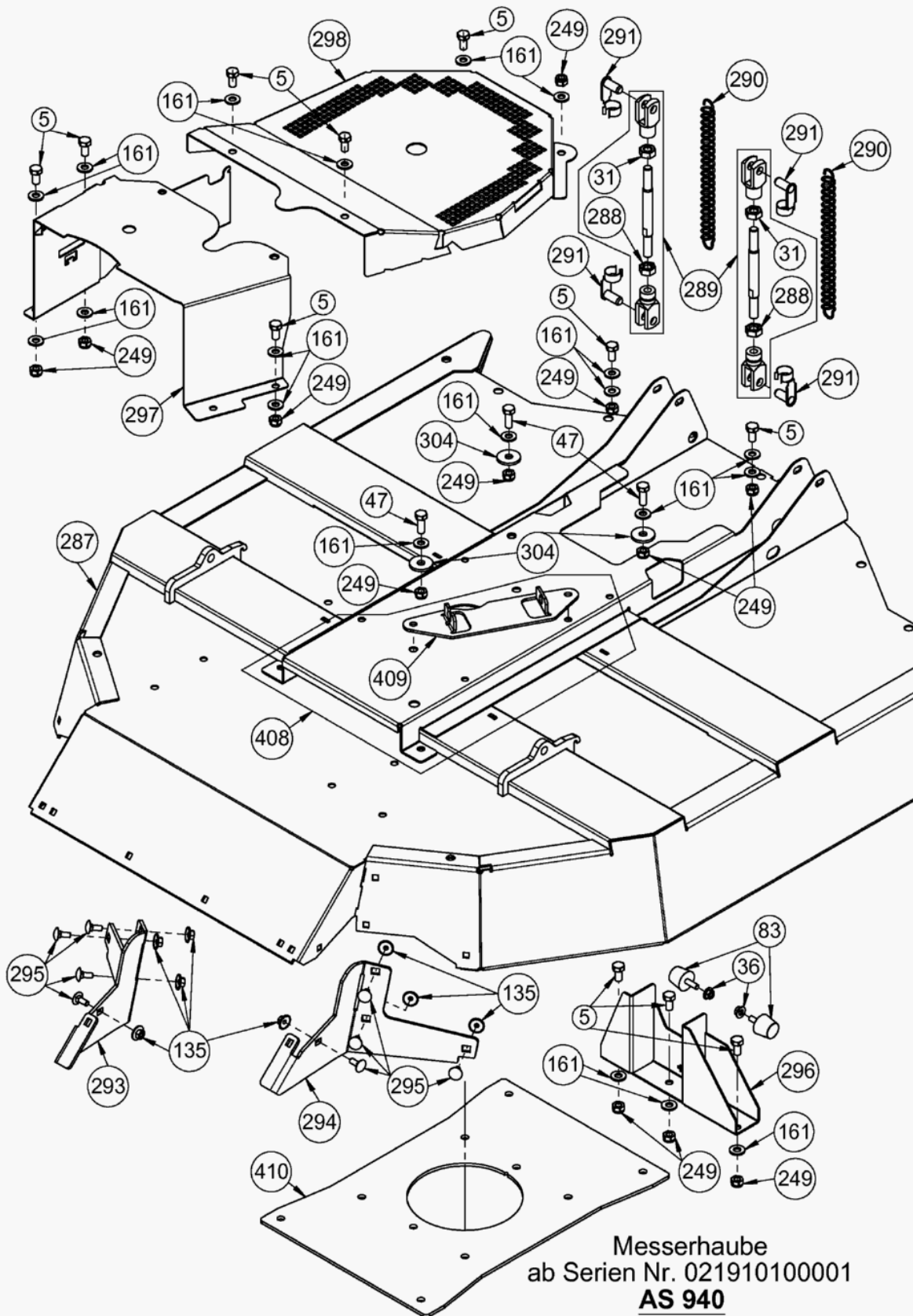
G06980005 - "mowing unit compl." contains all parts which are necessary for exchanging of damaged mowing deck.

G06980005 - Le carter de lame complet comprend toutes les pièces nécessaires en cas de casse importante du carter.


Mowing deck compl.

Item	Part-No.		Quantity	Description
426	G06980005	E11771	1	Blade hood complet

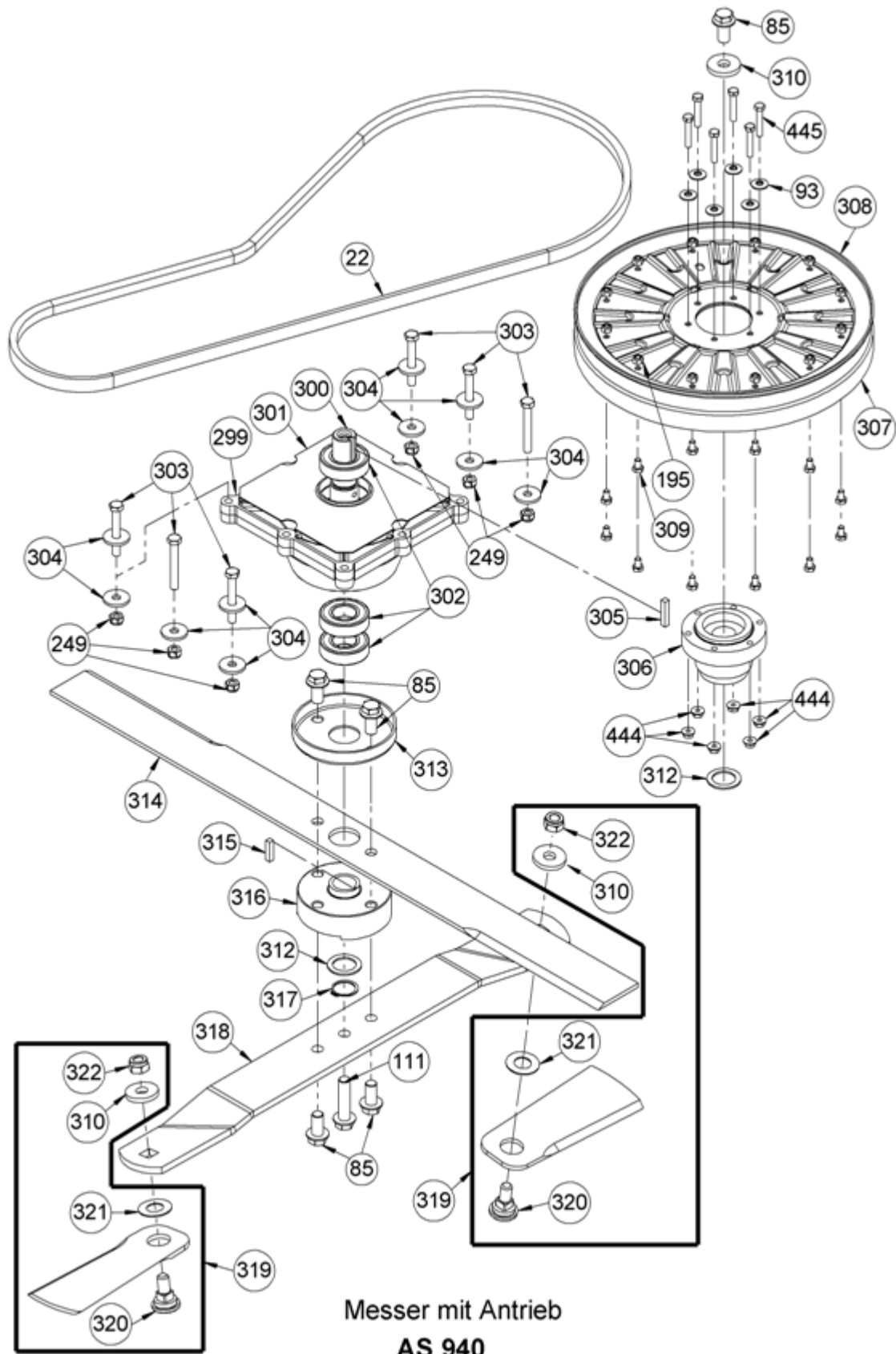
Blade cover from serial No. 021910100001



Blade cover from serial No. 021910100001

Item	Part-No.		Quantity	Description
5	G07838026	E03932	11	Hexagon screw (10 Stk.)
31	G07839008	E01953	2	Hex nut (10 Stk.)
36	G00007041	E05975	2	Selflocking nut with serrated bearing (3
47	G07838047	E05320	3	Hexagon screw (10 Stk.)
83	G00008061	E04597	2	Stop buffer
135	G00007066	E10591	8	Nut with spring washer (10 Stk.)
161	G07926001	E08403	20	Disc (4 Stk.)
249	G07846001	E01912	12	Self-locking hex nut (10 Stk.)
287	G06920038	E11682	1	Blade hood
288	G07839022	E08282	2	Hex nut
289	G06922015	E11683	2	Lifting rod with yoke
290	G00002069	E11684	2	Draw spring
291	G00039004	E08467	4	Folding spring bolt
293	G06920039	E11685	1	Hood corner left
294	G06920040	E11686	1	Hood corner right
295	G07827003	E04262	8	Mushroom head square neck bolt (5 Stk.)
296	G06920065	E11687	1	Side guide
297	G06926009	E11688	1	Access protection
298	G06926011	E11689	1	Belt cover
304	G07810004	E06262	3	Disc (5 Stk.)
408	G06980007	E11772	1	Hood carrier + spring plate
409	G06920080	E11773	1	Spring plate
410	G06920082	E11774	1	Replaced by G06920095
	G06920095	G06920095	1	Stiffening plate

Blades with drive

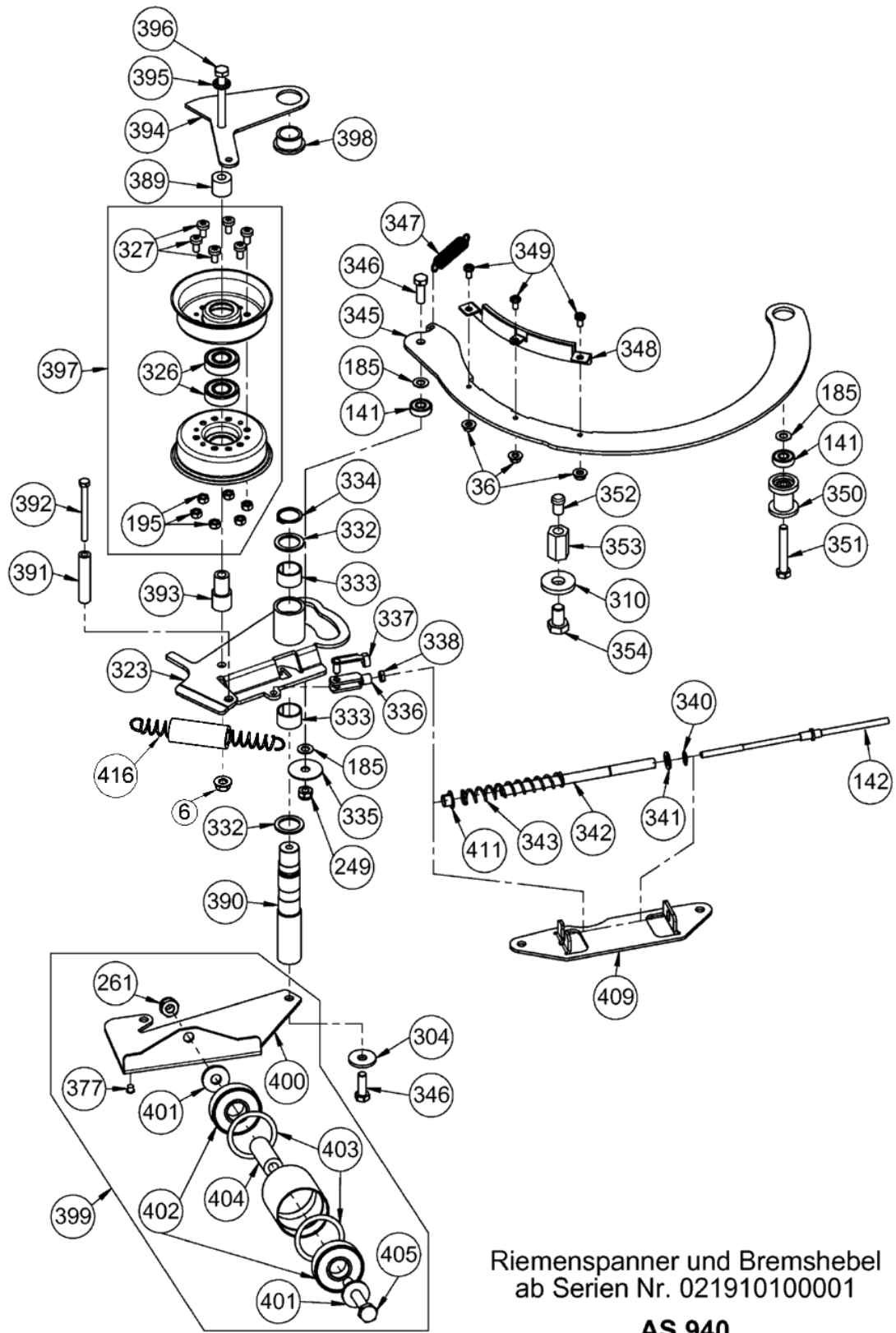


Blades with drive

Item	Part-No.	Quantity	Description	
22	G07857047	E11463	1	High performance V-belt
85	G00009097	E07718	5	Locking screw

93	G00042008	E06187	6	Detent edge disc
111	G00009111	E08291	1	Locking screw
195	G07906002	E06667	12	Self-locking hex nut (10 Stk.)
249	G07846001	E01912	6	Self-locking hex nut (10 Stk.)
299	G06923002	E11691	1	Blade Bearing
300	G06923003	E11692	1	Blade shaft
301	G06926029	E11693	1	Cloth for blade bearing
302	G07830015	E08351	3	Deep groove ball bearing
303	G07837005	E03142	6	Hexagon screw (4 Stk.)
304	G07810004	E06262	10	Disc (5 Stk.)
305	G07865011	E06649	1	Feather key
306	G06925016	E11700	1	Belt pulley hub
307	G06925008	E11698	1	Belt pulley drum
308	G06925009	E11699	1	Belt pulley half
309	G07838017	E03262	12	Hexagon screw (10 Stk.)
310	G07861004	E07213	3	Disc
312	G07847015	E03928	2	Supporting disc
313	G06923004	E11694	1	Winding protection cover
314	G06923010	E11465	1	Replaced by G06980016
314	G06980016	G06980016	1	Upper mulching blade+blade disc
315	G07865031	E11695	1	Feather key
316	G06923006	E11696	1	Replaced by G06980016
316	G06980016	G06980016	1	Upper mulching blade+blade disc
317	G07822001	E02116	1	Circlip for shaft (5 Stk.)
318	G06923008	E11398	1	Cutter bar for blades
319	G06980001	E11399	2	Knife blade + mounting (2 Stk.)
320	G06923007	E11697	2	Blade fixing bolt
321	G07856004	E02451	2	Disc spring (3 Stk.)
322	G07846006	E01972	2	Self-locking hex nut (2 Stk.)
444	G07937001	E12459	6	Hex nut (10 Stk.)
445	G07837086	E13169	6	Hexagon screw

Belt tensioner and brake lever



Riemenspanner und Bremshebel
 ab Serien Nr. 02191010001
AS 940

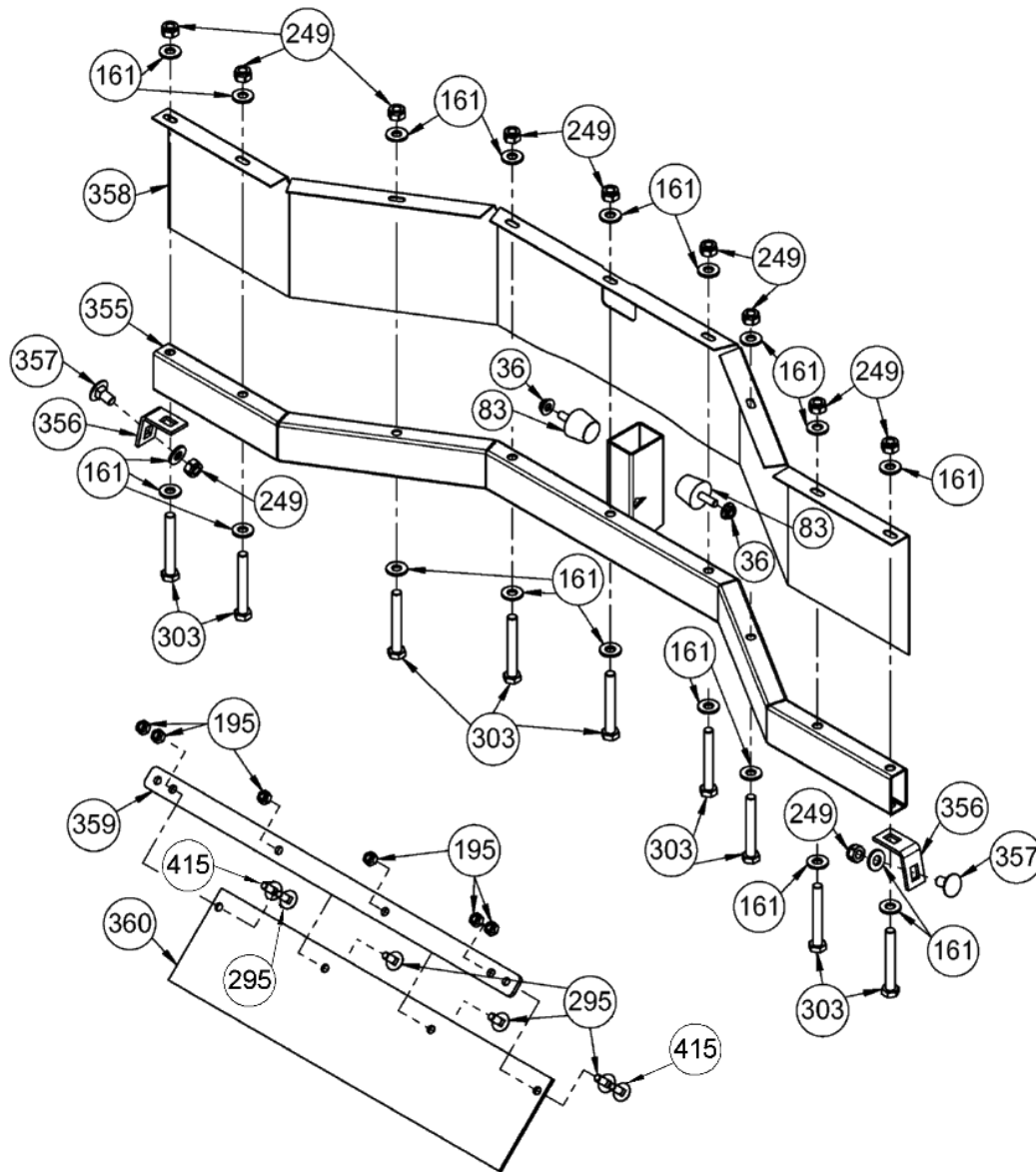
Belt tensioner and brake lever

Item	Part-No.		Quantity	Description
6	G00007042	E06037	1	Selflocking nut with serrated bearing (3
36	G00007041	E05975	3	Selflocking nut with serrated bearing (3
141	G07830031	E07211	2	Deep groove ball bearing
142	G00020161	E11395	1	Blade drive cable
185	G07856010	E04337	3	Disc spring (5 Stk.)
195	G07906002	E06667	6	Self-locking hex nut (10 Stk.)
249	G07846001	E01912	1	Self-locking hex nut (10 Stk.)
261	G07846005	E01968	1	Self-locking hex nut (10 Stk.)
304	G07810004	E06262	1	Disc (5 Stk.)
310	G07861004	E07213	1	Disc
323	G06925011	E11701	1	Belt tensioner
326	G07830027	E06752	2	Deep groove ball bearing
327	G00009083	E06753	6	Rounded head screw with inside Torx (2 S
332	G07847055	E11704	2	Shim (2 Stk.)
333	G00028001	E02919	2	DU bush (2 Stk.)
334	G07822014	E07729	1	Circlip for shaft (5 Stk.)
335	G00010109	E08394	1	Mudguard washer (5 Stk.)
336	G07925001	E08526	1	Fork head
337	G00039003	E08527	1	Folding spring bolt
338	G07818004	E03917	1	Hex nut (10 Stk.)
340	G07822002	E02650	1	Circlip for shaft (5 Stk.)
341	G07816006	E04214	1	Disc (20 Stk.)
342	G06820010	E08388	1	Spring tube
343	G00001083	E08389	1	Pressure spring
345	G06934002	E11709	1	Brake lever
346	G07838029	E03939	1	Hexagon screw (5 Stk.)
347	G00002055	E07546	1	Draw spring
348	G06934007	E11710	1	Brake line holder with brake lining
349	G00009149	E10597	3	Self-tapping Torx screw (10 Stk.)
350	G06920041	E11705	1	Bearing bolt
351	G07838083	E11706	1	Hexagon screw (5 Stk.)
352	G00008125	E10371	1	Rubber buffer (2 Stk.)
353	G00007076	E11707	1	Connection nut (2 Stk.)
354	G07838010	E01987	1	Hexagon screw (5 Stk.)
377	G00008086	E05973	1	Rubber buffer (2 Stk.)
389	G00024052	E11760	1	Sleeve
390	G06920079	E11761	1	Tension lever bearing
391	G06925035	E11762	1	Belt guide
392	G07837029	E04485	1	Hexagon screw (5 Stk.)
393	G06925036	E11763	1	Sleeve
394	G06925037	E11764	1	Strut
395	G00042012	E07132	1	Detent edge disc (4 Stk.)
396	G07837047	E05681	1	Hexagon screw (2 Stk.)
397	G06925038	E11765	1	Tension pulley with ball bearing
398	G00028059	E11769	1	Friction bearing with collar
399	G06925042	E11767	1	Guide pulley + ball bearing + holder
400	G06925039	E11766	1	Holder

Belt tensioner and brake lever Page 2

Item	Part-No.		Quantity	Description
401	G07861007	E08496	2	Disc
402	G07830046	E11770	2	Deep groove ball bearing
403	G07847054	E11359	2	Shim (10 Stk.)
404	G06521302	E06511	1	Hub tube
405	G07837055	E06661	1	Hexagon screw
409	G06920080	E11773	1	Spring plate
411	G00028042	E08662	1	Collar bush
416	G06980009	E12206	1	Draw spring with hose piece

Protector cloth for Blade cover



Schutztücher für Messerhaube
AS 940

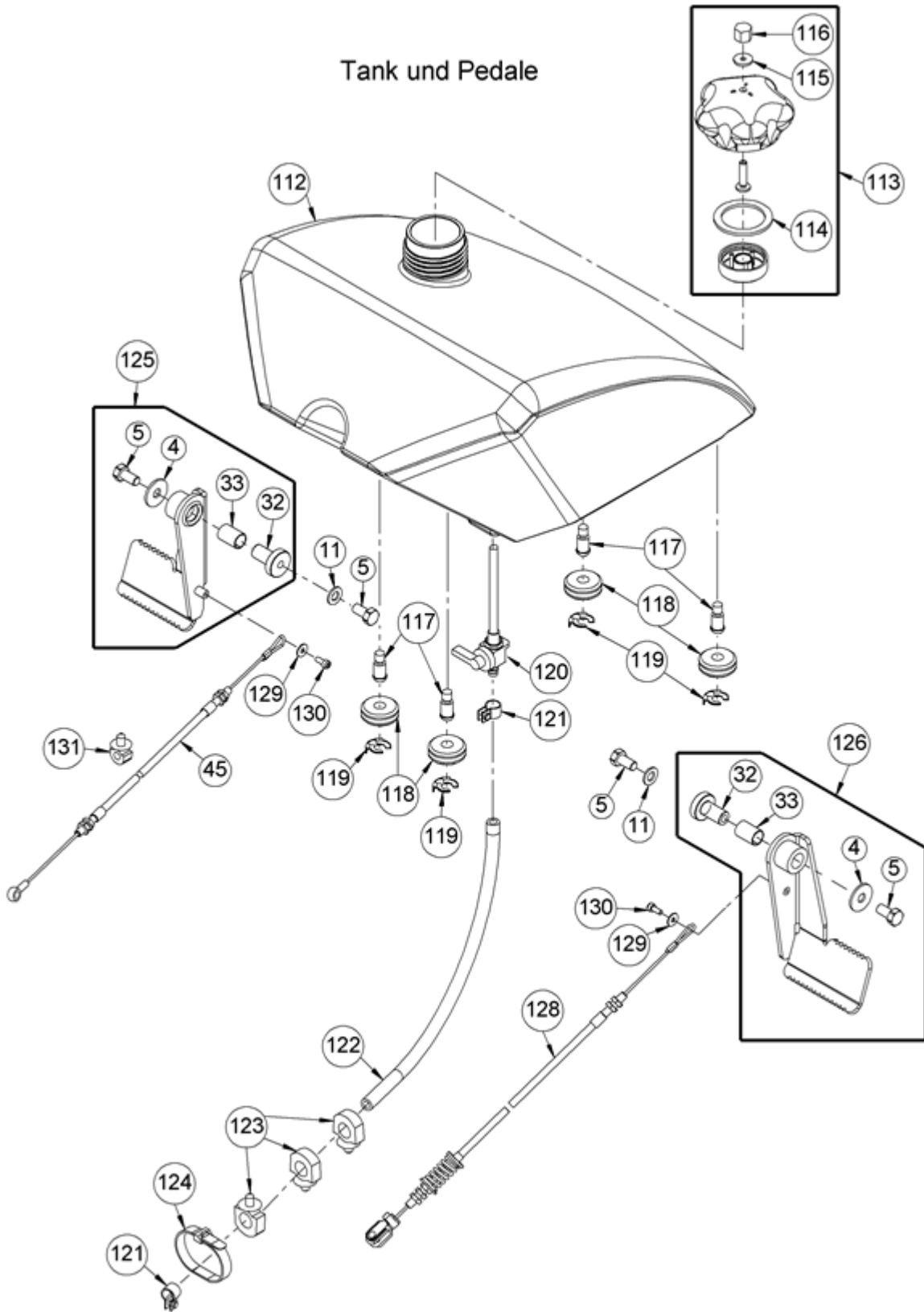
Protector cloth for Blade cover

Item	Part-No.	Quantity	Description
36	G00007041 E05975	2	Selflocking nut with serrated bearing (3
83	G00008061 E04597	2	Stop buffer

161	G07926001	E08403	20	Disc (4 Stk.)
195	G07906002	E06667	6	Self-locking hex nut (10 Stk.)
249	G07846001	E01912	11	Self-locking hex nut (10 Stk.)
295	G07827003	E04262	4	Mushroom head square neck bolt (5 Stk.)
303	G07837005	E03142	9	Hexagon screw (4 Stk.)
355	G06926010	E11711	1	Protection skirt tube
356	G06920033	E11712	2	Angle
357	G07827018	E08387	2	Mushroom head square neck bolt (10 Stk.)
358	G06926012	E11019	1	Protection skirt
359	G06820018	E08471	1	Rubber bar
360	G00008139	E11713	1	Ejector rubber
415	G07827010	E05367	2	Mushroom head square neck bolt (5 Stk.)

Tank and pedal

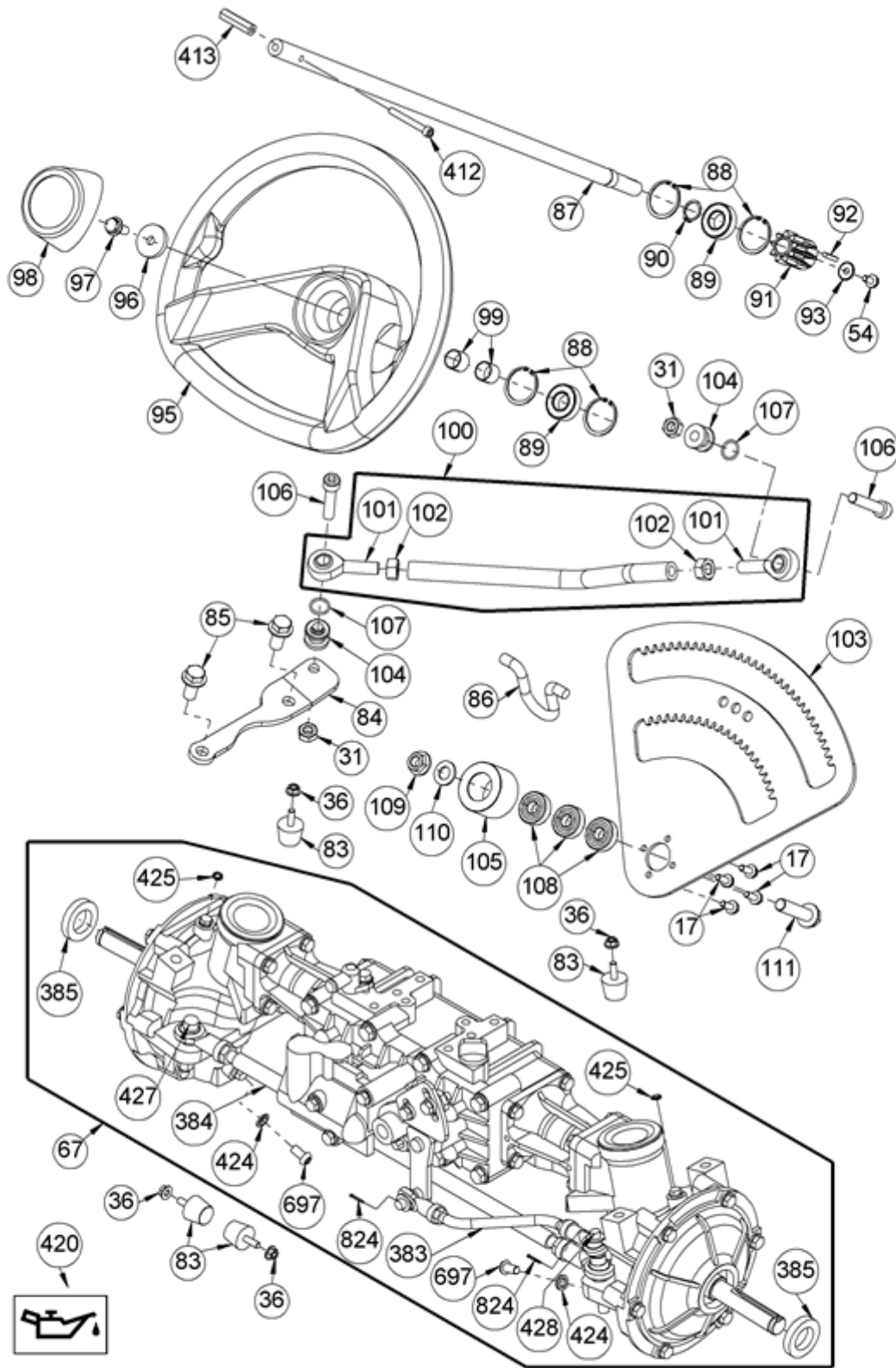
Tank und Pedale



Tank and pedal

Item	Part-No.		Quantity	Description
4	G07880006	E03957	2	Disc (20 Stk.)
5	G07838026	E03932	4	Hexagon screw (10 Stk.)
11	G07809004	E01905	2	Disc (20 Stk.)
32	G06525054	E07158	2	Tension lever bearing
33	G00028027	E06473	2	DU bush
45	G00020162	E11396	1	Differential cable
112	G06906001	E11596	1	Fuel tank
113	G06306007	E04783	1	Tank cap total
114	G00019053	E04782	1	Seal (3 Stk.)
115	G00019051	E05246	1	Sealing disc (5 Stk.)
116	G00007033	E05247	1	Hexagon cap nut
117	G00009154	E11597	4	Tank bolt
118	G00008145	E07287	4	Rubber bearing
119	G00027017	E08457	4	Anti-folding mechanism (5 Stk.)
120	G00022015	E11598	1	Fuel valve with gasket
121	G00034011	E03626	2	Hose clamp
122	G06906002	E11525	1	Fuel hose 1405 long
123	G00026045	E11599	3	Cable holder Ø 15.5-Ø 18.6 mm
124	G00026003	E03782	1	Cable tape (2 Stk.)
125	G06925031	E11601	1	Differential pedal total
126	G06934010	E11602	1	Reset pedal for brake total
128	G00020163	E11397	1	Brake pedal cable
129	G07880005	E03948	2	Disc (20 Stk.)
130	G07833029	E08544	2	Hexagon socket head cap screw (5 Stk.)
131	G00026046	E11600	1	Cable holder Ø 7-Ø 10 (2 Stk.)

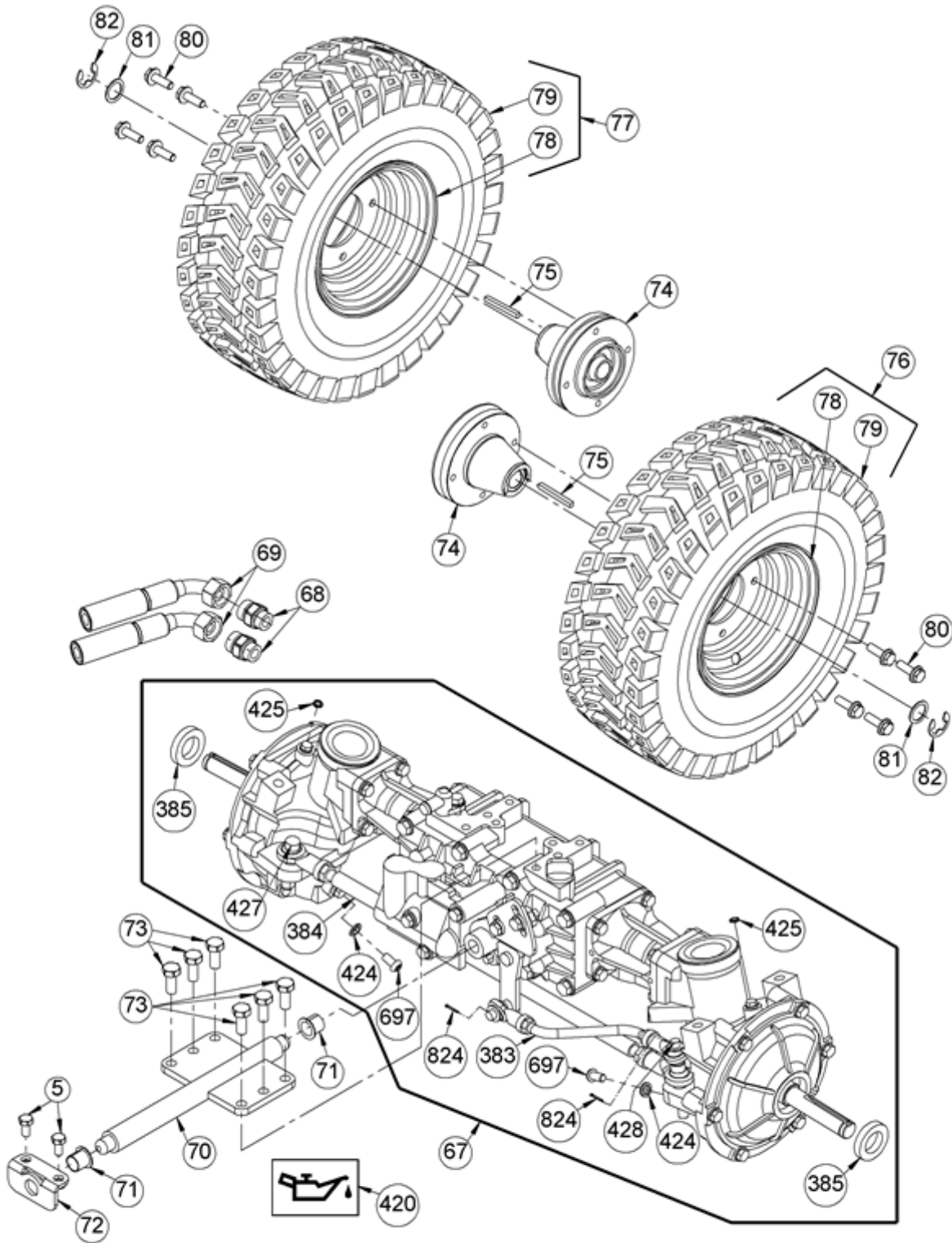
Steering



Steering

Item	Part-No.		Quantity	Description
17	G00009094	E07247	2	Locking screw (2 Stk.)
31	G07839008	E01953	1	Hex nut (10 Stk.)
36	G00007041	E05975	4	Selflocking nut with serrated bearing (3
54	G00009016	E04631	1	Hexagon screw with serration (5 Stk.)
67	G06930012	E11571	1	Transmission front
83	G00008061	E04597	1	Stop buffer
84	G06922004	E11583	4	Steering strip
85	G00009097	E07718	1	Locking screw
86	G06920015	E11584	1	Tow hook
87	G06922007	E11585	1	Steering shaft
88	G07823011	E04330	4	Circlip for drilled hole (5 Stk.)
89	G07830033	E07637	2	Deep groove ball bearing
90	G07822016	E08664	1	Circlip for shaft
91	G06922001	E11586	1	Pinion 9 teeth
92	G07865027	E10595	1	Feather key (2 Stk.)
93	G00042008	E06187	1	Detent edge disc
95	G06922027	E11587	1	Two-spoke steering wheel
96	G00010133	E12385	1	Disc
97	G00009108	E08177	1	Hexagon screw with serration (3 Stk.)
98	G06922028	E11588	1	Covering cap for handlebar
99	G00028052	E11714	2	DU bush (2 Stk.)
100	G06980003	E11589	1	Steering bar with joint head
101	G07934001	E11590	2	Joint head
102	G07839015	E03921	2	Hex nut (4 Stk.)
103	G06922002	E11591	1	Pinion plate
104	G06922005	E11592	2	Joint sleeve
105	G06922006	E11593	1	Pinion bearing
106	G07833041	E11594	1	Hexagon socket head cap screw (10 Stk.)
107	G00006060	E11595	2	O-ring (10 Stk.)
108	G07830030	E06988	3	Deep groove ball bearing
109	G00007054	E08241	1	Selflocking nut with serrated bearing
110	G07809011	E03919	1	Disc (10 Stk.)
111	G00009111	E08291	1	Locking screw
383	G06950021	E11756	1	Steering rod
384	G06950022	E11757	1	Track rod
385	G06950023	E11758	2	Shaft seal ring
412	G07833020	E07642	1	Hexagon socket head cap screw (2 Stk.)
413	G00007052	E07876	1	Connection nut (2 Stk.)
420	G00041064	E12381	1	2x5 liter canister oil Titan Supersyn SA
424	G06950017	E11742	2	Sealing disc 8
425	G06950018	E11743	2	Sealing disc 6
427	G06950033	E13003	1	Tie rod pin left
428	G06950034	E12442	1	Tie rod pin right
697	G00009190	G00009190	2	Screw with Torx
824	G07808005	E03943	2	Split pin (10 Stk.)

Front transmission with wheels

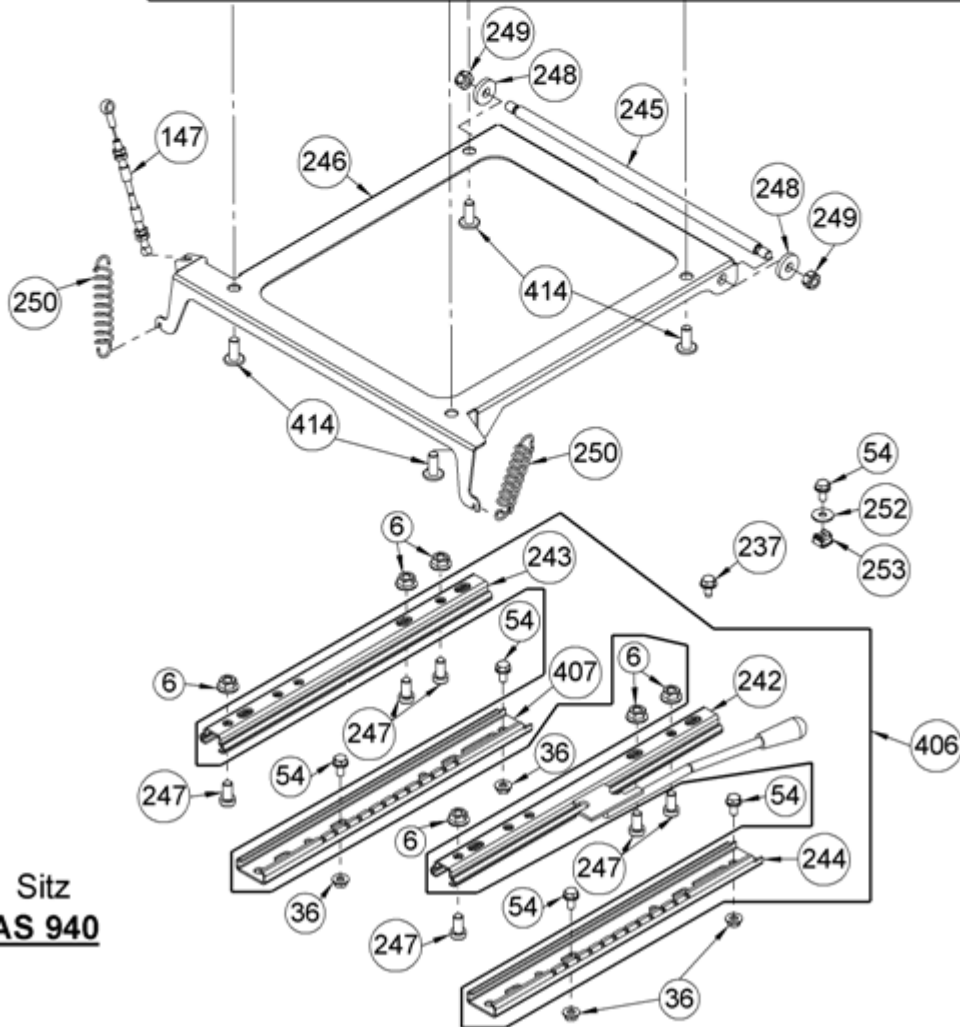
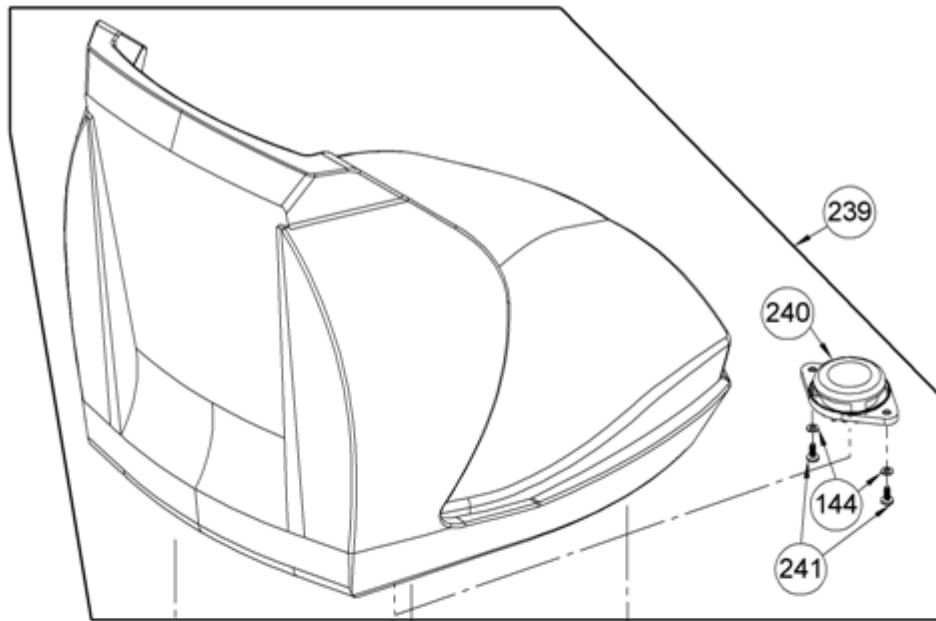


Front transmission with wheels

Item	Part-No.	Quantity	Description
5	G07838026 E03932	2	Hexagon screw (10 Stk.)
67	G06930012 E11571	1	Transmission front

68	G06930008	E11572	2	Threaded connection
69	G06930007	E11573	2	Hydraulic hose
70	G06930003	E11574	1	Swing axle total
71	G00028025	E06504	2	DU flanged bush
72	G06930002	E11575	1	Bearing angle
73	G07838079	E08658	6	Hexagon screw
74	G06921007	E11576	2	Wheel hub front
75	G07865030	E11577	2	Feather key (2 Stk.)
76	G06921008	E11578	1	Right hand front wheel 15X5.00-6
77	G06921009	E11579	1	Left hand front wheel 15X5.00-6
78	G06950011	E11580	2	Front wheel rim
79	G06950012	E11581	2	Front wheel brace 15X5.00-6
80	G00009085	E06761	8	Hexagon screw
81	G07847046	E07725	2	Shim (3 Stk.)
82	G07864012	E11582	2	Lock washer
383	G06950021	E11756	1	Steering rod
384	G06950022	E11757	1	Track rod
385	G06950023	E11758	2	Shaft seal ring
420	G00041064	E12381	1	2x5 liter canister oil Titan Supersyn SA
424	G06950017	E11742	2	Sealing disc 8
425	G06950018	E11743	2	Sealing disc 6
427	G06950033	E13003	1	Tie rod pin left
428	G06950034	E12442	1	Tie rod pin right
697	G00009190	G00009190	2	Screw with Torx
824	G07808005	E03943	2	Split pin (10 Stk.)

Seat

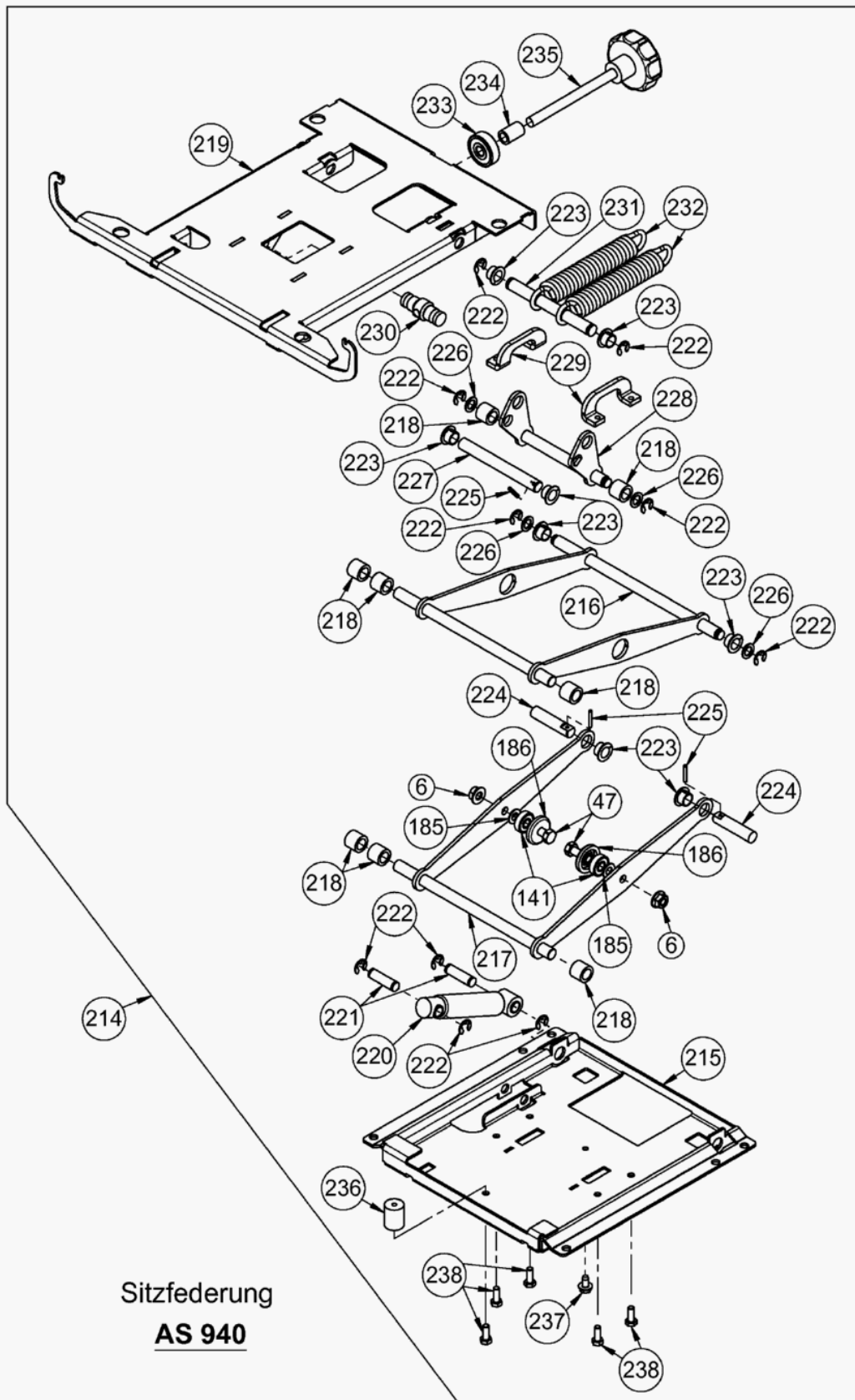


Sitz
AS 940

Seat

Item	Part-No.		Quantity	Description
6	G00007042	E06037	6	Selflocking nut with serrated bearing (3
36	G00007041	E05975	4	Selflocking nut with serrated bearing (3
54	G00009016	E04631	1	Hexagon screw with serration (5 Stk.)
144	G07809006	E01940	2	Disc (10 Stk.)
147	G00020166	E11524	1	Tow line
237	G07890033	G07890033	1	Self-tapping Torx screw
239	G06920073	E11660	1	Seat + switch without rails
240	G06650532	E08160	1	Seat contact switch
241	G07875018	E07950	2	Raised cross-head sheet metal screw (5 S
242	G06920084	E11662	1	Rail with adjusting lever
243	G06920085	E11661	1	Inside rail
244	G06920086	E11778	1	Outside rail with arrestor
245	G06920076	E11664	1	Seat pin
246	G06920077	E11665	1	Seat plate
247	G07910002	E11666	6	Hexagon socket head cap screw (10 Stk.)
248	G07861006	E07940	2	Disc
249	G07846001	E01912	2	Self-locking hex nut (10 Stk.)
250	G00002070	E11730	2	Draw spring
252	G07880004	E03914	1	Disc (20 Stk.)
253	G00007046	E06672	1	Box nut (2 Stk.)
406	G06920083	E11781	1	Adjusting rails (1 set)
407	G06920087	E11663	1	Outside rail
414	G00009114	E08450	4	Raised flat-head screw

Seat suspension

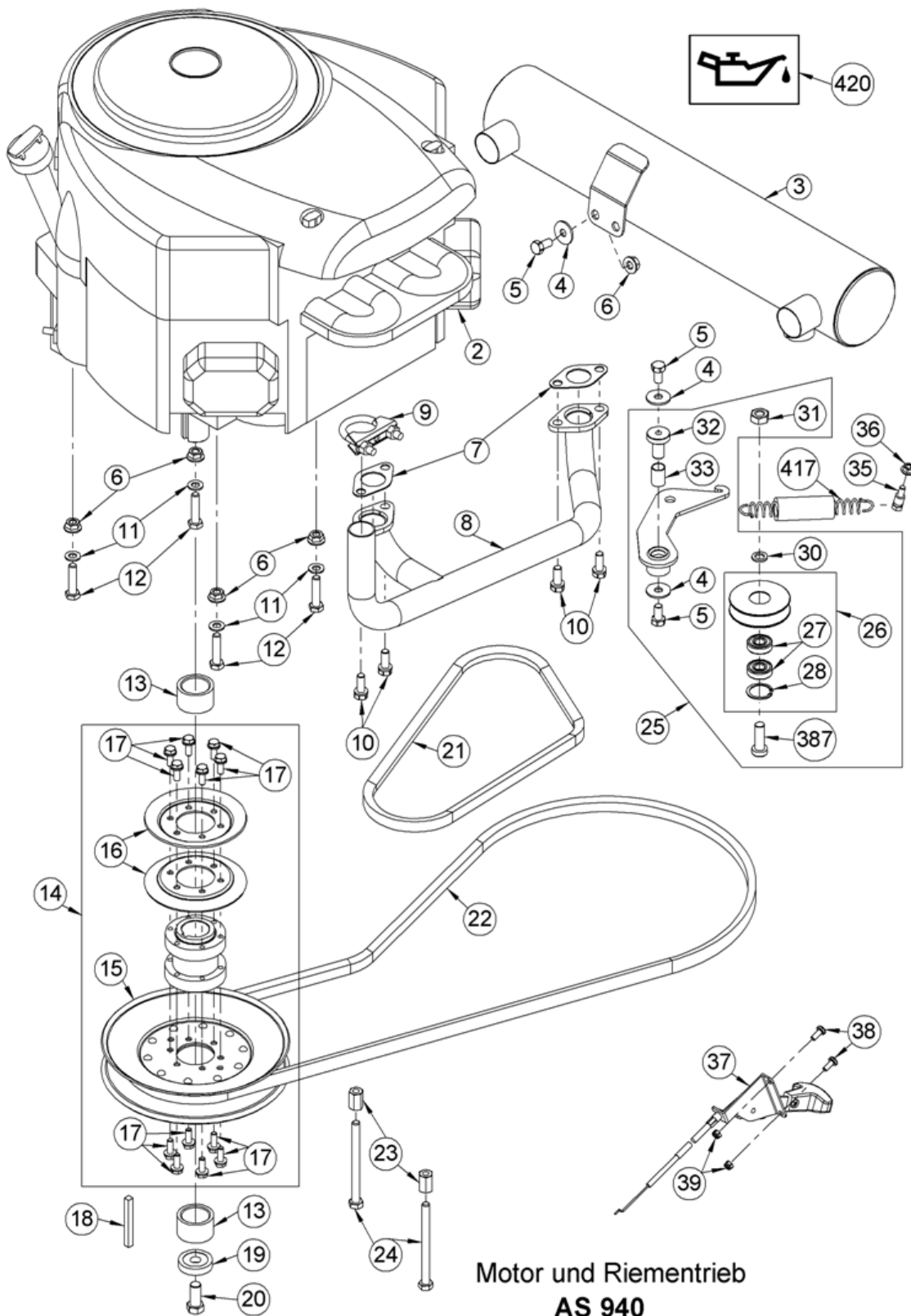


Sitzfederung
AS 940

Seat suspension

Item	Part-No.		Quantity	Description
6	G00007042	E06037	2	Selflocking nut with serrated bearing (3
47	G07838047	E05320	2	Hexagon screw (10 Stk.)
141	G07830031	E07211	2	Deep groove ball bearing
185	G07856010	E04337	2	Disc spring (5 Stk.)
186	G06822031	E08449	2	Bearing washer
214	G06920072	E11643	1	Replaced by G06980045
33	G06980045	G06980045	1	Seat suspension total
215	G06920044	E11644	1	Plate bottom
216	G06920061	E11645	1	Lever inner
217	G06920062	E11646	1	Lever outer
218	G00028055	E11647	8	Friction bearing
219	G06920049	E11648	1	Plate top total
220	G06920074	E11649	1	Replaced by G06980043
33	G06980043	G06980043	1	Shock absorber with plain bearing
221	G06920059	E11655	2	Bolt for shock absorbers
222	G07864002	E03136	8	Lock washer (20 Stk.)
223	G00028026	E06508	8	DU flanged bush
224	G06920055	E11653	2	Joint bolt short
225	G07853002	E01974	3	Spring pin (20 Stk.)
226	G07847008	E02649	4	Supporting disc (5 Stk.)
227	G06920058	E11654	1	Joint bolt long
228	G06920052	E11651	1	Spring lever
229	G06920048	E11659	2	Angle
230	G06920060	E11656	1	Draw spring bolt
231	G06920054	E11652	1	Spring bolt
232	G00002068	E11650	2	Draw spring
233	G07830012	E04329	1	Deep groove ball bearing
234	G00024051	E11657	1	Sleeve
235	G00009158	E11658	1	Star knob screw
236	G00007049	E07148	1	Spacer nut
237	G07890025	E06093	1	Flanged self-tapping screw (2 Stk.)
238	G07838013	E02949	5	Hexagon screw (10 Stk.)

Engine and Belt drive



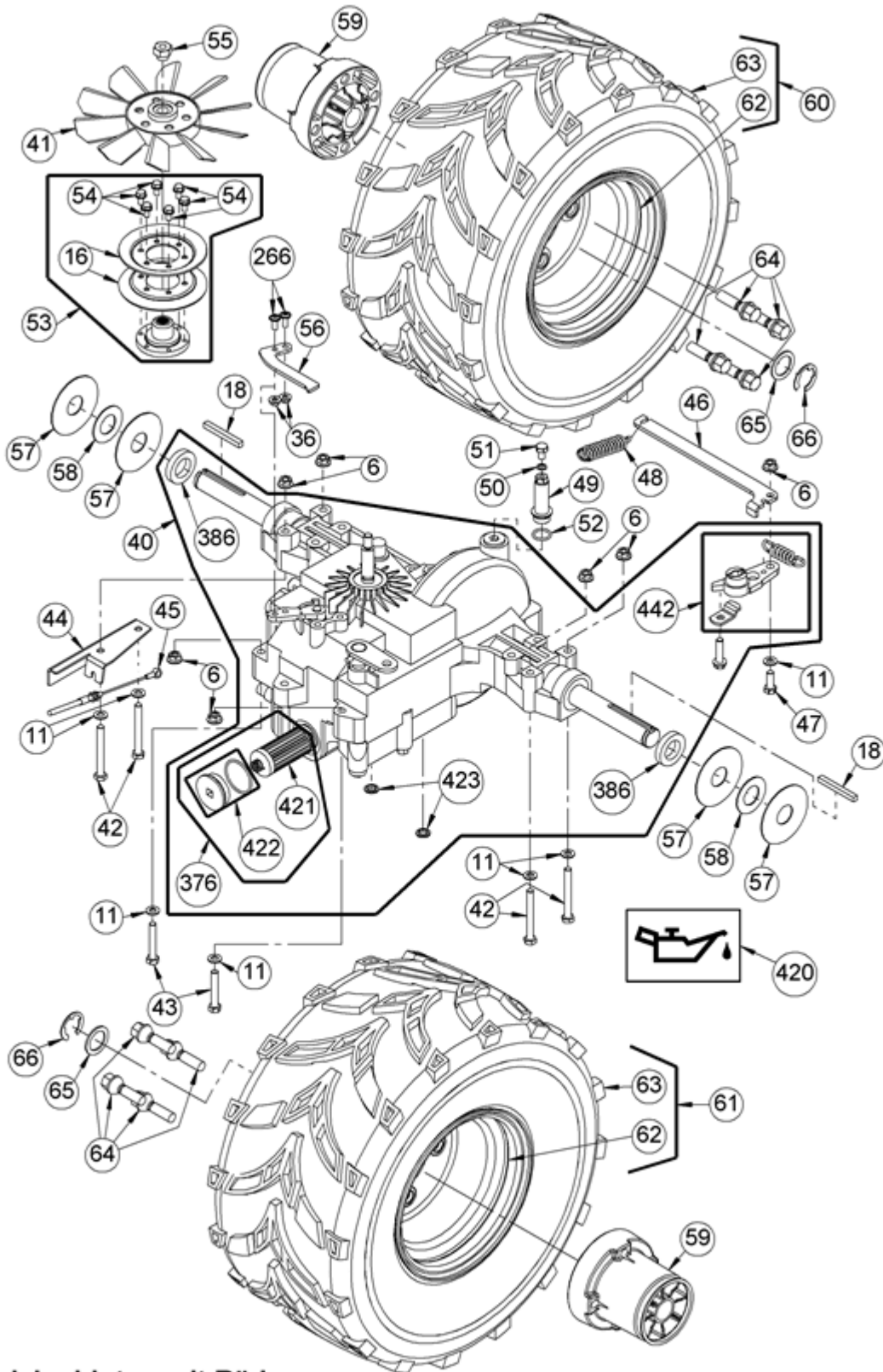
Motor und Riementrieb
AS 940

Engine and Belt drive

Item	Part-No.	Quantity	Description	
2	G00501031	E11541	1	Engine B&S ELS 27HP
3	G06909006	E11543	1	Exhaust

4	G07880006	E03957	3	Disc (20 Stk.)
5	G07838026	E03932	3	Hexagon screw (10 Stk.)
6	G00007042	E06037	5	Selflocking nut with serrated bearing (3
7	G00019062	E11723	2	Exhaust gasket
8	G06909004	E11542	1	Exhaust manifold
9	G00034031	E07616	1	Clip
10	G00009160	E11724	4	Inch screw
11	G07809004	E01905	4	Disc (20 Stk.)
12	G07837010	E03081	4	Hexagon screw (5 Stk.)
13	G00024048	E11547	2	Spacer sleeve
14	G06925025	E11544	1	Engine hub total
15	G06925026	E11545	1	Belt pulley dw145
16	G06925017	E11546	2	Belt pulley half
17	G00009094	E07247	12	Locking screw (2 Stk.)
18	G07865023	E08673	1	Feather key
19	G00010106	E07879	1	Drive pulley
20	G00009066	E06716	1	Inch screw (2 Stk.)
21	G07857046	E11462	1	Replaced by G07857055
21	G07857055	G07857055	1	V-belt
22	G07857047	E11463	1	High performance V-belt
23	G00007061	E10018	2	Connection nut
24	G07837059	E06887	2	Hexagon screw (2 Stk.)
25	G06925024	E11548	1	Replaced by G06980048
25	G06980048	G06980048	1	replacement kit tension spring
26	G06980004	E11549	1	Tension pulley with ball bearing
27	G07830014	E04345	2	Deep groove ball bearing
28	G07823020	E11550	1	Circlip for drilled hole (10 Stk.)
30	G07847048	E08172	1	Shim (10 Stk.)
31	G07839008	E01953	1	Hex nut (10 Stk.)
32	G06525054	E07158	1	Tension lever bearing
33	G00028027	E06473	1	DU bush
35	G04325062	E04357	1	Mounting bolt
36	G00007041	E05975	1	Selflocking nut with serrated bearing (3
37	G00020164	E11464	1	Throttle cable
38	G00009128	E10373	2	Self-tapping Torx screw (10 Stk.)
39	G07846002	E01932	2	Self-locking hex nut (5 Stk.)
387	G07910003	E11768	1	Hexagon socket head cap screw (5 Stk.)
417	G06980010	E12207	1	Replaced by G06980029
417	G06980029	G06980029	1	replacement kit tension spring
420	G00041064	E12381	1	2x5 liter canister oil Titan Supersyn SA

Rear transmission with wheels

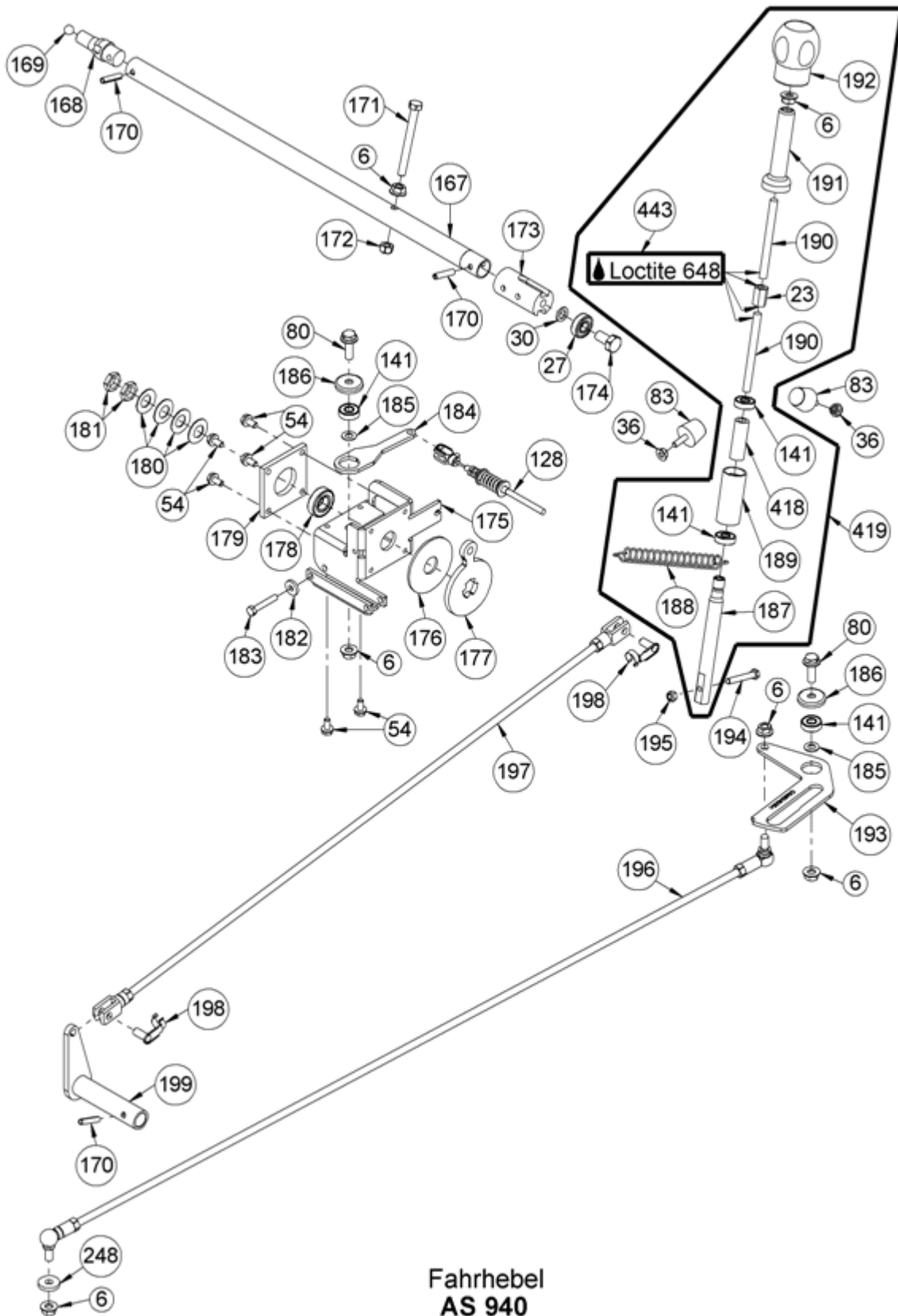


Getriebe hinten mit Räder

Rear transmission with wheels

Item	Part-No.		Quantity	Description
6	G00007042	E06037	7	Selflocking nut with serrated bearing (3
11	G07809004	E01905	7	Disc (20 Stk.)
16	G06925017	E11546	2	Belt pulley half
18	G07865023	E08673	2	Feather key
36	G00007041	E05975	2	Selflocking nut with serrated bearing (3
40	G06930015	E11552	1	Transmission rear
41	G06930023	E11553	1	Impeller
42	G07837035	E04686	4	Hexagon screw (4 Stk.)
43	G07837020	E03924	2	Hexagon screw (4 Stk.)
44	G06930009	E11554	1	Counter support
45	G00020162	E11396	1	Differential cable
46	G06930010	E11555	1	Extension
47	G07838047	E05320	1	Hexagon screw (10 Stk.)
48	G00002011	E04343	1	Draw spring
49	G06930021	E11556	1	Ventilation
50	G07935001	E11557	1	Copper ring (10 Stk.)
51	G07838012	E03714	1	Hexagon screw (10 Stk.)
52	G00006061	E11558	1	O-ring (2 Stk.)
53	G06930016	E11559	1	Gear hub total
54	G00009016	E04631	6	Hexagon screw with serration (5 Stk.)
55	G00007074	E11560	1	Special Nut M10
56	G06930022	E11561	1	Adjusting lever
57	G06921001	E11562	4	Winding protection
58	G00010129	E11563	2	Slide washer
59	G06921003	E11564	2	Wheel hub rear
60	G06921004	E11566	1	Back wheel right 18X9.50-8
61	G06921005	E11567	1	Back wheel left 18X9.50-8
62	G06950009	E11568	2	Rear wheel rim 18X9.50-8
63	G06950010	E11569	2	Rear wheel housing
64	G00009157	E11570	8	Spherical collar screw
65	G07847032	E05667	2	Supporting disc
66	G07864013	E11565	2	Lock washer
266	G00009159	E11673	2	Dome head screw with Torx (10 Stk.)
376	G06980002	E11530	1	Oil filter + cap + gaskets
386	G06950024	E11759	2	Shaft seal ring
420	G00041064	E12381	1	2x5 liter canister oil Titan Supersyn SA
421	G06950002	E11531	1	Oil filter transmission
422	G06950004	E11533	1	Cover + O-ring
423	G06950016	E11741	2	Sealing disc 10
442	G06980013	E13140	1	Lever+lever holder+draw spring

Drive lever



Fahrhebel
AS 940

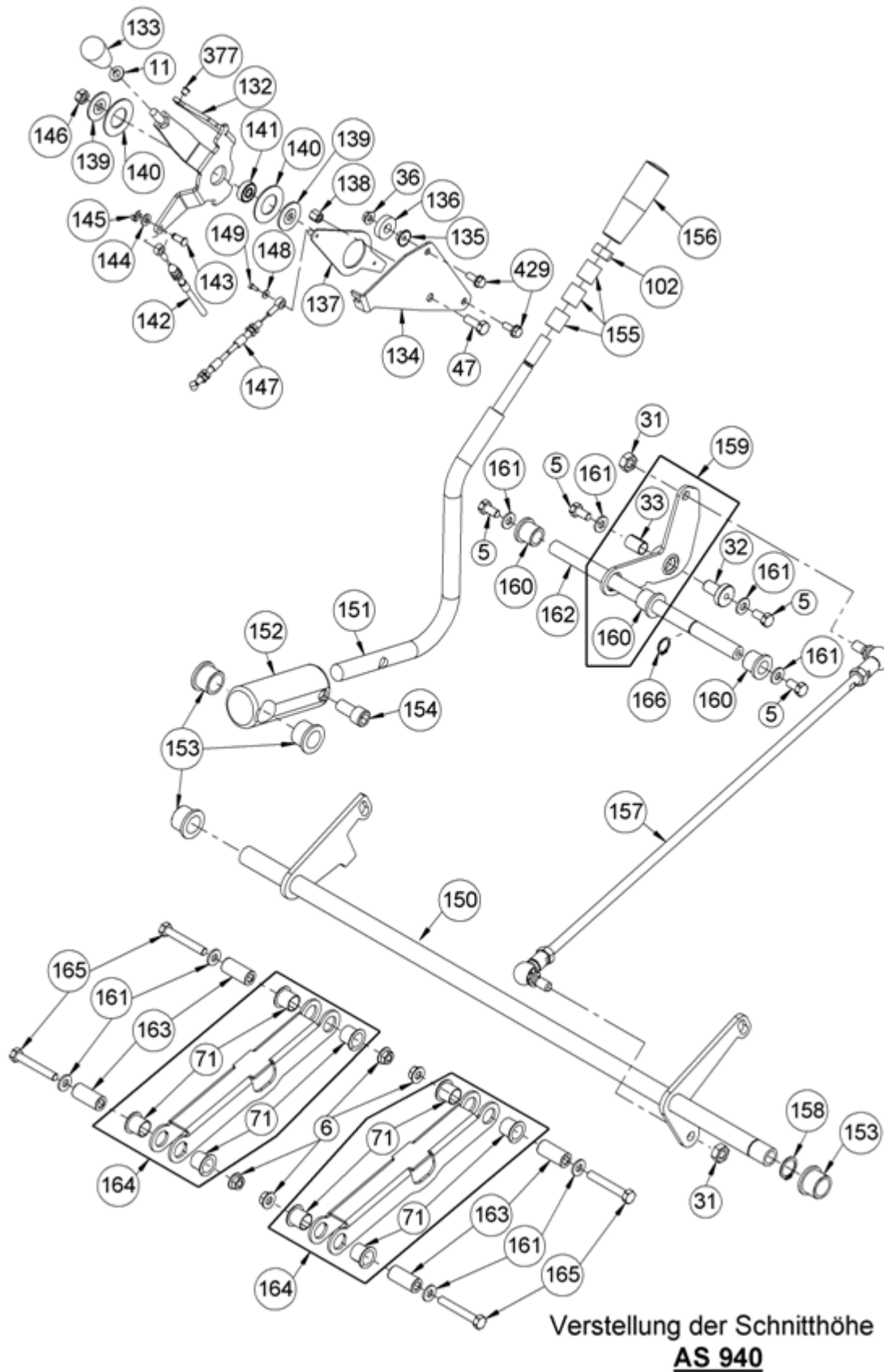
Drive lever

Item	Part-No.		Quantity	Description
6	G00007042	E06037	6	Selflocking nut with serrated bearing (3
23	G00007061	E10018	1	Connection nut
27	G07830014	E04345	1	Deep groove ball bearing
30	G07847048	E08172	1	Shim (10 Stk.)
36	G00007041	E05975	2	Selflocking nut with serrated bearing (3
54	G00009016	E04631	6	Hexagon screw with serration (5 Stk.)
80	G00009085	E06761	2	Hexagon screw
83	G00008061	E04597	2	Stop buffer
128	G00020163	E11397	1	Brake pedal cable
141	G07830031	E07211	4	Deep groove ball bearing
167	G06922020	E11619	1	Drive lever tube
168	G06922019	E11620	1	Drive lever pin
169	G07904005	E11621	1	Ball (2 Stk.)
170	G07853035	E06617	3	Spring pin (2 Stk.)
171	G07838043	E04750	1	Hexagon screw (3 Stk.)
172	G07906001	E06261	1	Self-locking hex nut (6 Stk.)
173	G06922021	E11622	1	Drive lever sleeve
174	G07838025	E03930	1	Hexagon screw (5 Stk.)
175	G06922009	E11623	1	Bearing plate
176	G00019050	E03076	1	Slide washer (2 Stk.)
177	G06822021	E08413	1	Drive lever left
178	G07830003	E02104	1	Deep groove ball bearing
179	G06822033	E08455	1	Bearing flange
180	G07856006	E03319	4	Disc spring (10 Stk.)
181	G00007044	E06130	2	Hex nut
182	G07861005	E07877	1	Disc (2 Stk.)
183	G07837024	E04058	1	Hexagon screw (10 Stk.)
184	G06922023	E11624	1	Release lever
185	G07856010	E04337	2	Disc spring (5 Stk.)
186	G06822031	E08449	2	Bearing washer
187	G06922022	E11625	1	Replaced by G06922043
☞	G06922043	G06922043	1	Drive lever total
188	G00002040	E06475	1	Draw spring
189	G06922018	E11627	1	Replaced by G06922043
☞	G06922043	G06922043	1	Drive lever total
190	G07924002	E11626	2	Replaced by G06922043
☞	G06922043	G06922043	2	Drive lever total
191	G00008144	E11629	1	Replaced by G06922043
☞	G06922043	G06922043	1	Drive lever total
192	G00008143	E11628	1	Ball handle
193	G06834005	E08454	1	Brake bracket
194	G07837008	E02926	1	Hexagon screw (10 Stk.)
195	G07906002	E06667	1	Self-locking hex nut (10 Stk.)
196	G06934005	E11630	1	Brake rod total
197	G06925005	E11631	1	Drive rod total
198	G00039005	E08459	2	Folding spring bolt

Drive lever Page 2

Item	Part-No.		Quantity	Description
248	G07861006	E07940	1	Disc
418	G00024060	E12222	1	Replaced by G06922043
	G06922043	G06922043	1	Drive lever total
419	G06922038	E12228	1	Replaced by G06922043
	G06922043	G06922043	1	Drive lever total
443	G00041013	E06078	1	LOCTITE 648 (50 ml)

Adjustment of cutting height

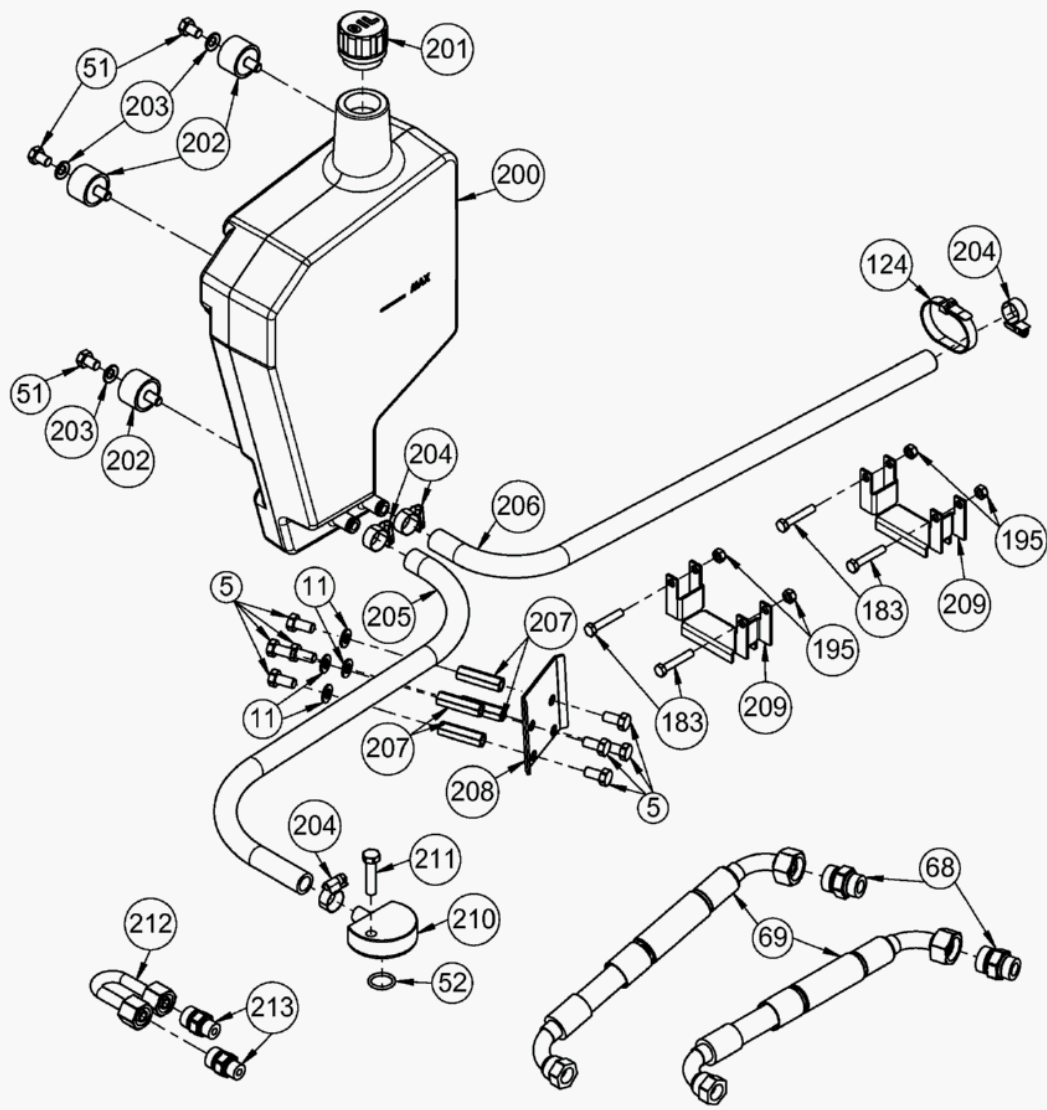


Adjustment of cutting height

Item	Part-No.	Quantity	Description
5	G07838026 E03932	4	Hexagon screw (10 Stk.)
6	G00007042 E06037	4	Selflocking nut with serrated bearing (3

11	G07809004	E01905	1	Disc (20 Stk.)
31	G07839008	E01953	2	Hex nut (10 Stk.)
32	G06525054	E07158	1	Tension lever bearing
33	G00028027	E06473	1	DU bush
36	G00007041	E05975	1	Selflocking nut with serrated bearing (3
47	G07838047	E05320	1	Hexagon screw (10 Stk.)
71	G00028025	E06504	8	DU flanged bush
102	G07839015	E03921	1	Hex nut (4 Stk.)
132	G06922008	E11603	1	Blade engagement lever
133	G00008141	E11604	1	Cylinder button
134	G06922030	E11605	1	Reinforcement
135	G00007066	E10591	1	Nut with spring washer (10 Stk.)
136	G00008119	E10020	1	Cylindrical spring
137	G06922040	E11607	1	Finger
138	G00007025	E03706	1	Special nut (10 Stk.)
139	G00010130	E11606	2	Special disc
140	G00010102	E07221	2	Thrust washer
141	G07830031	E07211	1	Deep groove ball bearing
142	G00020161	E11395	1	Blade drive cable
143	G00012027	E08451	1	Bolt for anti-folding mechanism
144	G07809006	E01940	1	Disc (10 Stk.)
145	G00027016	E08452	1	Anti-folding mechanism (5 Stk.)
146	G07839003	E01906	1	Hex nut (10 Stk.)
147	G00020166	E11524	1	Tow line
148	G07880009	E07936	1	Disc (5 Stk.)
149	G07833045	E11608	1	Hexagon socket head cap screw (10 Stk.)
150	G06922032	E11609	1	Retractable axle total
151	G06922010	E11610	1	Adjusting lever
152	G06822029	E08444	1	Adjusting lever pin
153	G00028038	E08445	3	Friction bearing with collar
154	G07833028	E08446	1	Hexagon socket head cap screw
155	G00028053	E11611	3	Friction bearing (3 Stk.)
156	G00008142	E11612	1	Cylinder button
157	G06922034	E11613	1	Lifter rod total
158	G07822012	E07552	1	Circlip for shaft (2 Stk.)
159	G06922035	E11614	1	Deflection lever + friction bearing
160	G00028054	E11615	3	Friction bearing with collar
161	G07926001	E08403	8	Disc (4 Stk.)
162	G06922012	E11618	1	Lifter brace
163	G06922013	E11617	4	Lift bolts
164	G06922036	E11616	2	Lifting arm + DU bushings
165	G07837015	E03777	4	Hexagon screw (5 Stk.)
166	G07822007	E04326	1	Circlip for shaft (20 Stk.)
377	G00008086	E05973	1	Rubber buffer (2 Stk.)
429	G07838006	E01942	1	Hexagon screw (10 Stk.)

hydraulik

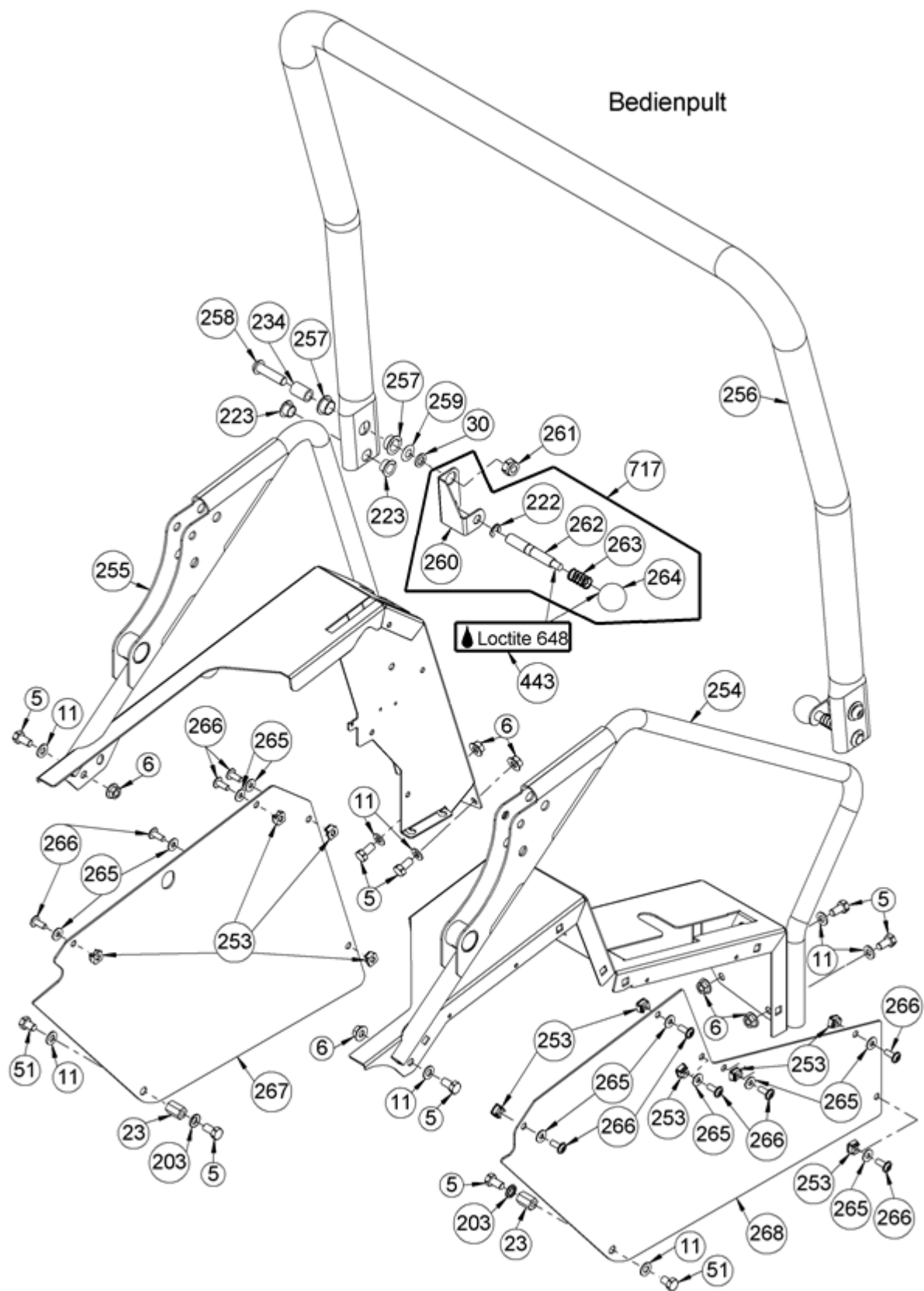


Hydraulik
AS 940

hydraulik

Item	Part-No.		Quantity	Description
5	G07838026	E03932	8	Hexagon screw (10 Stk.)
11	G07809004	E01905	4	Disc (20 Stk.)
51	G07838012	E03714	3	Hexagon screw (10 Stk.)
52	G00006061	E11558	1	O-ring (2 Stk.)
68	G06930008	E11572	2	Threaded connection
69	G06930007	E11573	2	Hydraulic hose
124	G00026003	E03782	1	Cable tape (2 Stk.)
183	G07837024	E04058	4	Hexagon screw (10 Stk.)
195	G07906002	E06667	4	Self-locking hex nut (10 Stk.)
200	G06930006	E11632	1	Surge tank
201	G06930020	E11633	1	Vent cover
202	G00008050	E03207	3	Rubber element
203	G00042004	E05863	3	Detent edge disc (5 Stk.)
204	G00034030	E07606	4	Hose clamp
205	G06930018	E11634	1	Rubber hydraulic hose 575±5
206	G06930019	E11635	1	Rubber hydraulic hose 1010±5
207	G00007075	E11636	4	Connection nut (10 Stk.)
208	G06925022	E11637	1	Closing
209	G06925021	E11638	2	Holder
210	G06930017	E11641	1	Elbow
211	G07838044	E05609	1	Hexagon screw (5 Stk.)
212	G06930013	E11639	1	Bow
213	G06930014	E11640	2	Threaded connection

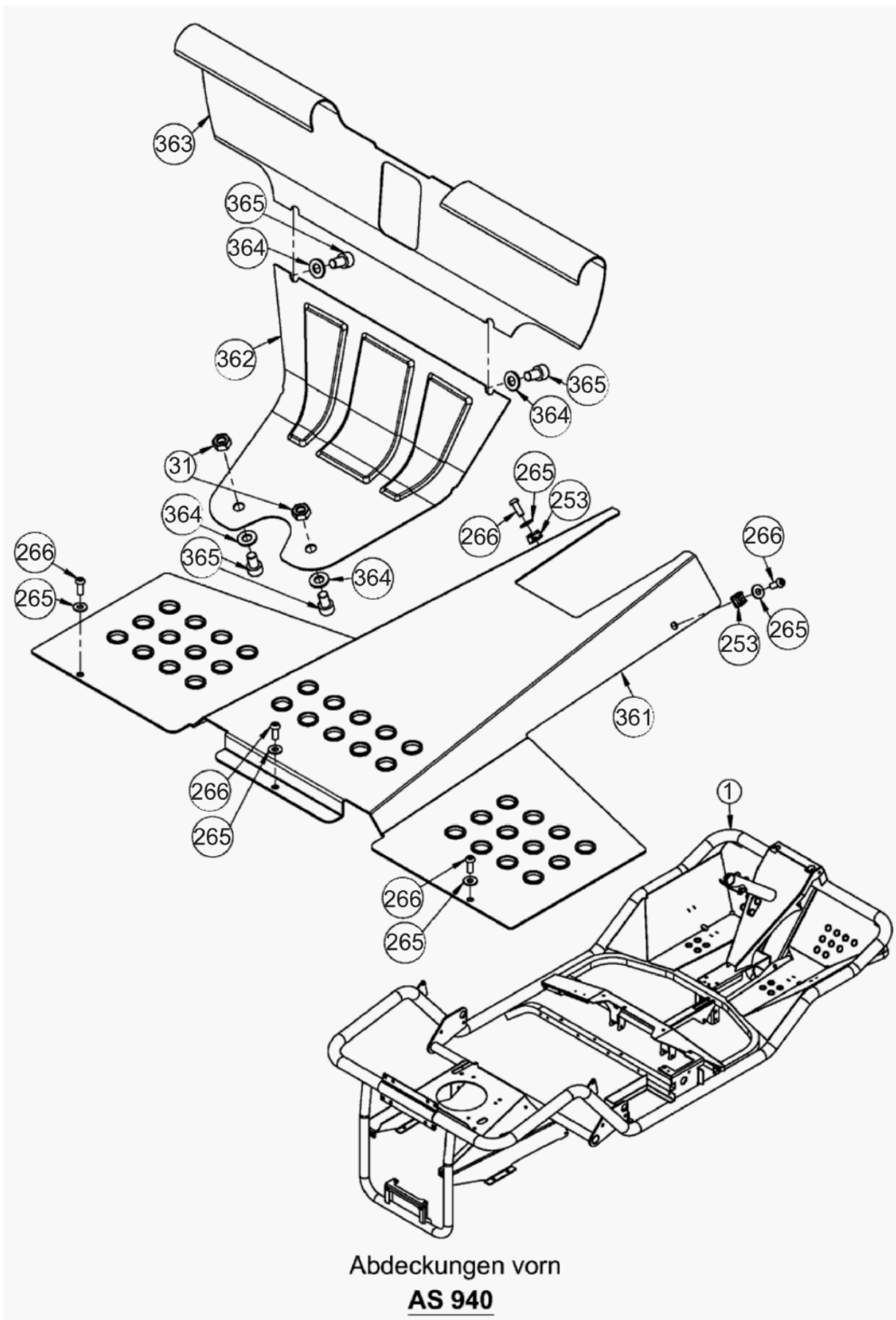
Control panel



Control panel

Item	Part-No.		Quantity	Description
5	G07838026	E03932	6	Hexagon screw (10 Stk.)
6	G00007042	E06037	6	Selflocking nut with serrated bearing (3
11	G07809004	E01905	8	Disc (20 Stk.)
23	G00007061	E10018	2	Connection nut
30	G07847048	E08172	2	Shim (10 Stk.)
51	G07838012	E03714	4	Hexagon screw (10 Stk.)
203	G00042004	E05863	2	Detent edge disc (5 Stk.)
222	G07864002	E03136	2	Lock washer (20 Stk.)
223	G00028026	E06508	4	DU flanged bush
234	G00024051	E11657	2	Sleeve
253	G00007046	E06672	9	Box nut (2 Stk.)
254	G06920068	E11668	1	Control panel right
255	G06920067	E11667	1	Control panel left
256	G06926033	E11669	1	Bar
257	G00028056	E11670	4	DU flanged bush (2 Stk.)
258	G07922003	E10159	2	Raised countersunk head screw with hexag
259	G07856011	E05856	2	Disc spring (3 Stk.)
260	G06926019	E11671	2	Tab washer for bow
261	G07846005	E01968	2	Self-locking hex nut (10 Stk.)
262	G00012034	E11672	2	Bolt for tab washer
263	G00001066	E05849	2	Pressure spring (4 Stk.)
264	G07917001	E07245	2	Spherical button
265	G00010121	E10126	10	Mudguard washer (10 Stk.)
266	G00009159	E11673	10	Dome head screw with Torx (10 Stk.)
267	G06926007	E11675	1	Side cover left
268	G06926006	E11674	1	Side cover right
443	G00041013	E06078	1	LOCTITE 648 (50 ml)
717	G06926028	G06926028	2	Securing bolts

Covers front

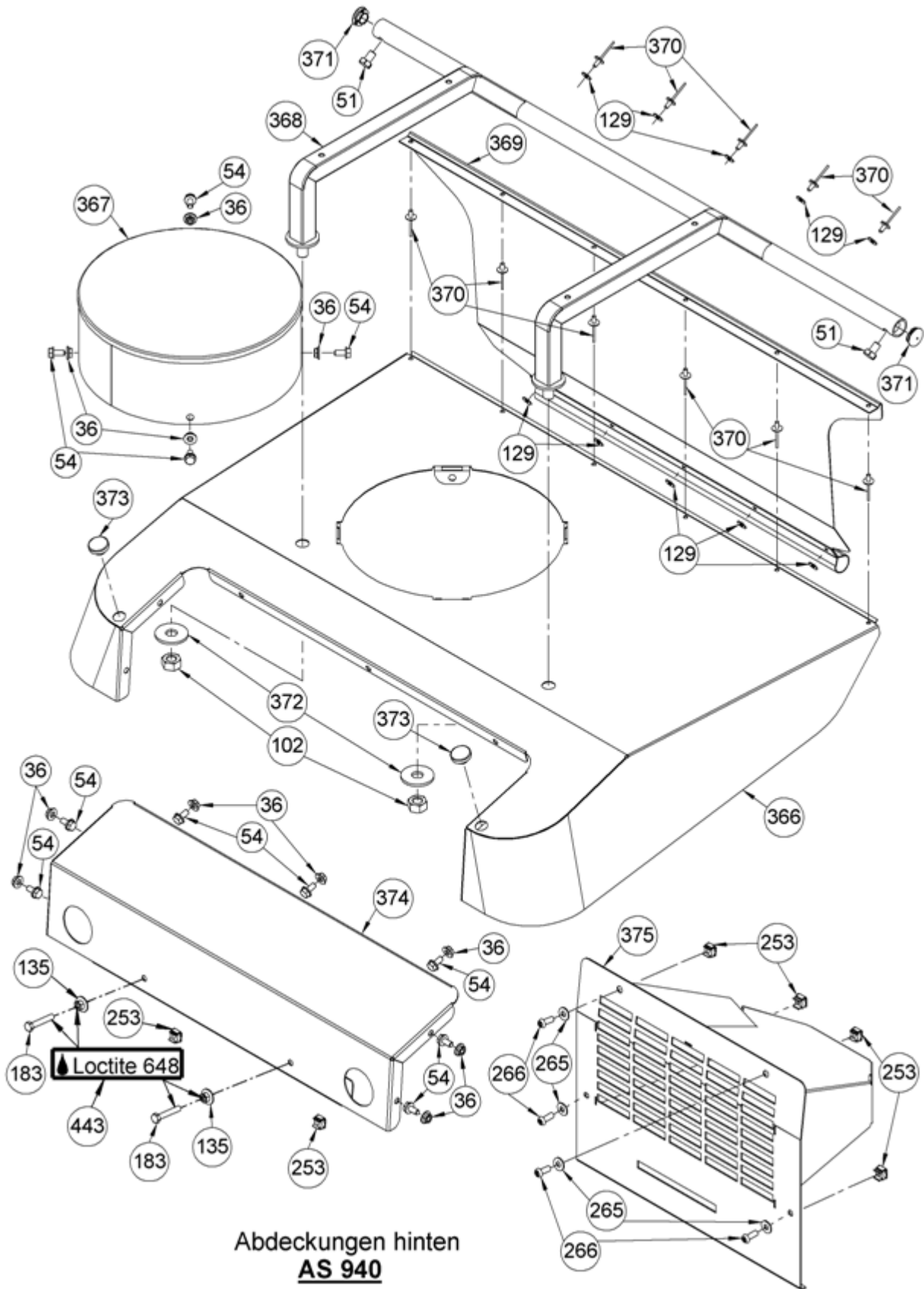


Covers front

Item	Part-No.	Quantity	Description
1	G06920066 E11540	1	Frame

31	G07839008	E01953	2	Hex nut (10 Stk.)
253	G00007046	E06672	2	Box nut (2 Stk.)
265	G00010121	E10126	5	Mudguard washer (10 Stk.)
266	G00009159	E11673	5	Dome head screw with Torx (10 Stk.)
361	G06926008	E11715	1	Base plate
362	G06926001	E11716	1	Front guard
363	G06926030	E11717	1	Front panel
364	G07809008	E03668	4	Disc (5 Stk.)
365	G07833030	E08631	4	Hexagon socket head cap screw

Covers rear



Abdeckungen hinten
AS 940

Covers rear

Item	Part-No.		Quantity	Description
36	G00007041	E05975	11	Selflocking nut with serrated bearing (3
51	G07838012	E03714	2	Hexagon screw (10 Stk.)
54	G00009016	E04631	11	Hexagon screw with serration (5 Stk.)
102	G07839015	E03921	2	Hex nut (4 Stk.)
129	G07880005	E03948	10	Disc (20 Stk.)
135	G00007066	E10591	2	Nut with spring washer (10 Stk.)
183	G07837024	E04058	2	Hexagon screw (10 Stk.)
253	G00007046	E06672	6	Box nut (2 Stk.)
265	G00010121	E10126	4	Mudguard washer (10 Stk.)
266	G00009159	E11673	4	Dome head screw with Torx (10 Stk.)
366	G06926018	E11719	1	Engine cover
367	G06926025	E11720	1	Ventilation grid
368	G06926026	E11527	1	Protection bow total
369	G06926027	E11721	1	Covering sheet
370	G00012006	E05262	10	Blind rivet (5 Stk.)
371	G00029025	E11722	2	Lamella plugs (4 Stk.)
372	G07880008	E04407	2	Disc (10 Stk.)
373	G00008089	E06147	2	Body plug (2 Stk.)
374	G06926020	E11718	1	Exhaust pipe guard
375	G06926013	E11726	1	Transmission protection cover
443	G00041013	E06078	1	LOCTITE 648 (50 ml)

Instruction plate - set



Pos.Nr.	ET-Nr.	Benennung
1	E12732	Aufkleber - Set AS 940

Instruction plate - set

Item	Part-No.	Quantity	Description
1	G06980012	1	Instruction plate - set AS 940

Proposal for wear parts list

Stückliste: Verschleißteilliste

Pos	Art.-Nr.	Art.-Nr. (bisher)	Menge (t)	Beschreibung	Info	Modell	Preis	% =>	€	Tech-Info
1	G90180003	G90180003	28 (1)	Schlegelmesser mit Befestigung						bearbeiten
2	G07857057	G07857057	1 (1)	Keilriemen						bearbeiten
3	G07857056	G07857056	1 (1)	Keilriemen						bearbeiten
4	G07857035	E08304	1 (1)	Hochleistungskeilriemen						bearbeiten
5	G90434008	G90434008	1 (1)	Bremsbelaghalter mit Bremsbelag						bearbeiten
6	G00041064	E12381	1 (10)	2x5L Kanister Öl Titan Supersyn SAE5W-50						bearbeiten
7	G00006067	G00006067	1 (1)	O-Ring						bearbeiten
8	G06930716	E11741	1 (1)	Dichtscheibe 10						bearbeiten
9	G06980002	E11530	1 (3)	Ölfilter+Deckel+Dichtungen						bearbeiten
10	G00006066	G00006066	1 (1)	O-Ring						bearbeiten

1 → Alle Artikel in den Warenkorb legen / Put all items in the cart / Mettre tous les articles dans le panier / Pon todos los artículos en el carrito / Поместить все запасные части в корзину

Bei Bedarf Artikel in der Zeichnung ansehen / If necessary, see the article in the drawing / Si nécessaire, regarder l'article dans l'éclaté / Si es necesario, ver el artículo en el dibujo / При необходимости см. запасную часть на чертеже:

2 → Klick auf Fernglas / Click on binoculars / Cliquez sur les jumelles / Haga clic en binoculares / Нажмите на бинокль

3 → Klick auf Artikel-Nummer bei Gerätemodell / Click on item number at according device model / Cliquez sur le numéro de pièce dans le modèle d'appareil / Haga clic en el número de artículo en el modelo de máquina / Нажмите на номер товара для модели устройства

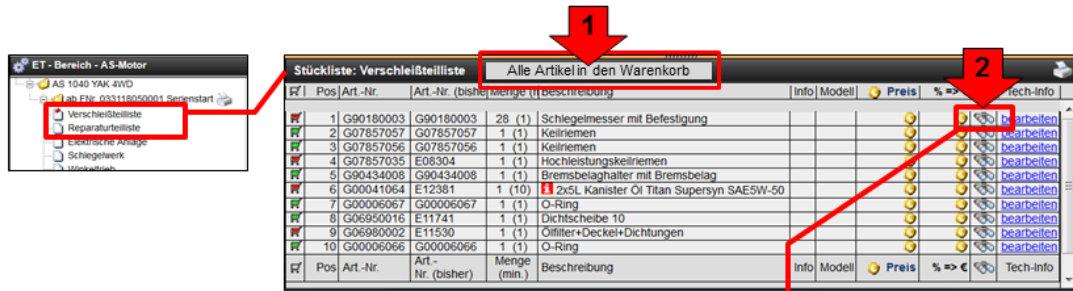
Stückliste: Verschleißteilliste

Pos	Art.-Nr.	Art.-Nr. (bisher)	Menge (t)	Beschreibung	Info	Modell	Preis	% =>	€	Tech-Info
1	G90180003	G90180003	28 (1)	Schlegelmesser mit Befestigung						bearbeiten

Proposal for wear parts list

Item	Part-No.		Quantity	Description
1	G07857047	E11463	1	High performance V-belt
2	G06980016	G06980016	1	Upper mulching blade+blade disc
3	G06980001	E11399	1	Knife blade + mounting (2 Stk.)
4	G06923008	E11398	1	Cutter bar for blades
5	G06934007	E11710	1	Brake line holder with brake lining
6	G07857055	G07857055	1	V-belt
7	G06980002	E11530	1	Oil filter + cap + gaskets

Proposal repair parts list

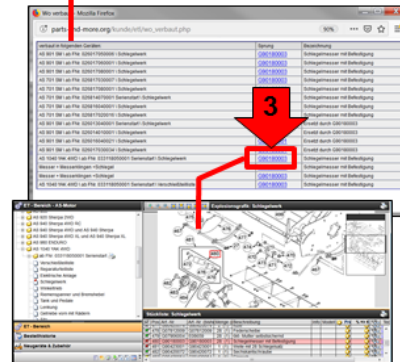


1 → Alle Artikel in den Warenkorb legen / Put all items in the cart /
Mettre tous les articles dans le panier / Pon todos los articulos en el
carrito / Поместить все запасные части в корзину

Bei Bedarf Artikel in der Zeichnung ansehen / If necessary, see the article in the
drawing / Si nécessaire, regarder l'article dans l'eclaté / Si es necesario, ver el
artículo en el dibujo / При необходимости см. запасную часть на чертеже:

2 → Klick auf Fernglas / Click on binoculars / Cliquez sur les jumelles / Haga clic
en binoculares / Нажмите на бинокль

3 → Klick auf Artikel-Nummer bei Gerätemodell / Click on item number at
according device model / Cliquez sur le numéro de pièce dans le modèle
d'appareil / Haga clic en el número de artículo en el modelo de máquina /
Нажмите на номер товара для модели устройства



Proposal repair parts list

Item	Part-No.		Quantity	Description
1	G06927005	E07590	1	Ignition key
2	G06650539	E08173	1	Fuse 25 A (alternator)
3	G07865031	E11695	1	Feather key
4	G00009097	E07718	1	Locking screw
5	G00009111	E08291	1	Locking screw
6	G06926012	E11019	1	Protection skirt
7	G00008139	E11713	1	Ejector rubber
8	G00020163	E11397	1	Brake pedal cable
9	G00020162	E11396	1	Differential cable
10	G06980029	G06980029	1	replacement kit tension spring
11	G00020166	E11524	1	Tow line
12	G00020161	E11395	1	Blade drive cable
13	G00020164	E11464	1	Throttle cable

