



Ersatzteile

AS 1040 YAK 4WD

- from serial No. 033120110001

Seriennummer, Сериен номер, Sériové číslo, Serial number, Número de serie, Sarjanumero, Numéro de série, Serijski broj, Sorozatszám, Numero di serie, Serijos numeris, Seriennummer, Numer seryjny, Serijska številka

DE Hier Aufkleber aus Garantiekarte aufkleben.
BG Залепете тук стикери от гаранционната Карта.
CZ Sem nalepte nálepku ze záručního listu.
DK Her skal maerkaten fra garantikortet klaebes på.
GB Please adhere the sticker from the warranty card here.
ES Pegar aquí el adhesivo de la tarjeta de garantía.
FI Liimaa takuukortin tarra tähän.
FR Collez ici l'autocollant placé sur la carte de garantie.
HR Ovdje zalijepite naljepnicu iz jamstvenog lista.

HU Ide ragassza a matricát a garanciakártyából.
IT Applicare qui l'etichetta, come scheda di garanzia.
LT Čia užklijuokite garantijos pase pateiktą lipduką.
NL Plak hier sticker uit garantiekaart.
NO Lim klistremerke fra garantikortet inn her.
PL Tutaj nakleić naklejkę na kartę gwarancyjną.
SL Tukaj nalepite nalepko z garancijskega lista.
SE Klistra fast etiketten från garantikortet här.

Ab Serien Nr.: from serial No. 033120110001

Ausgabe: 13.09.2024, EN

AS-Motor GmbH
Eilwanger Straße 15
D-74424 Bühlertann
Telefon 07973-9123-0
Telefax 07973-9123-259
www.as-motor.de

If you need spare parts:

1. Send your order to your AS-Motor dealer.
2. In order to get you the right spare part he needs:

- **Model name (s. sticker on the machine)**
- **Serial No. of machine (sticker or S/N lable)**
- **Articlenumber**
- **Your dealer orders part in our online system parts and more.**

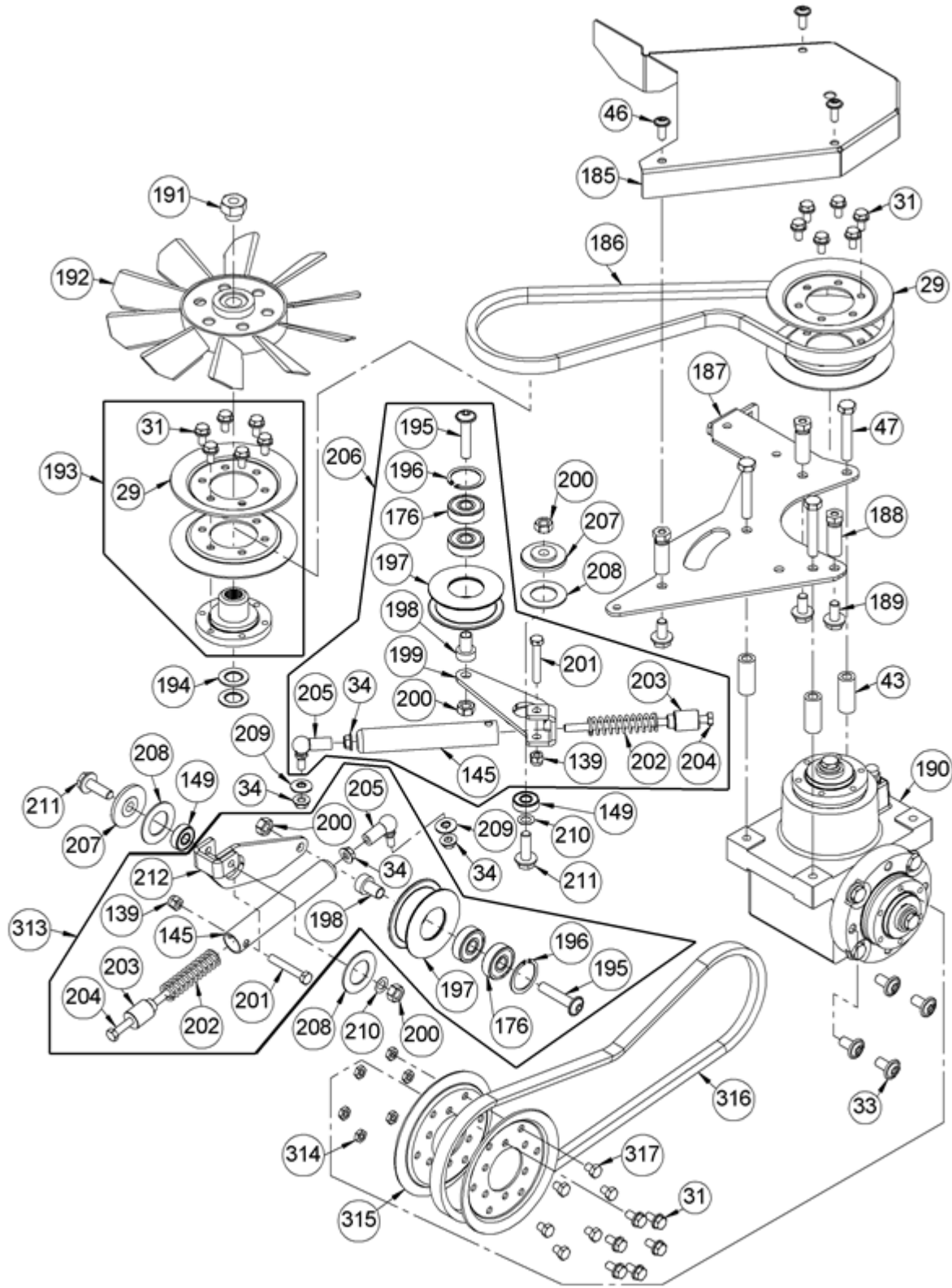
Only in this case you receive all important information about proper spare parts and possible technical changes.

Please fulfil only maintenance tasks mentioned in the owner manual by yourself. All other tasks have to be done by authorised AS-Motor dealer.

Subject to change without notice.

Images may show differences from the machines in production.

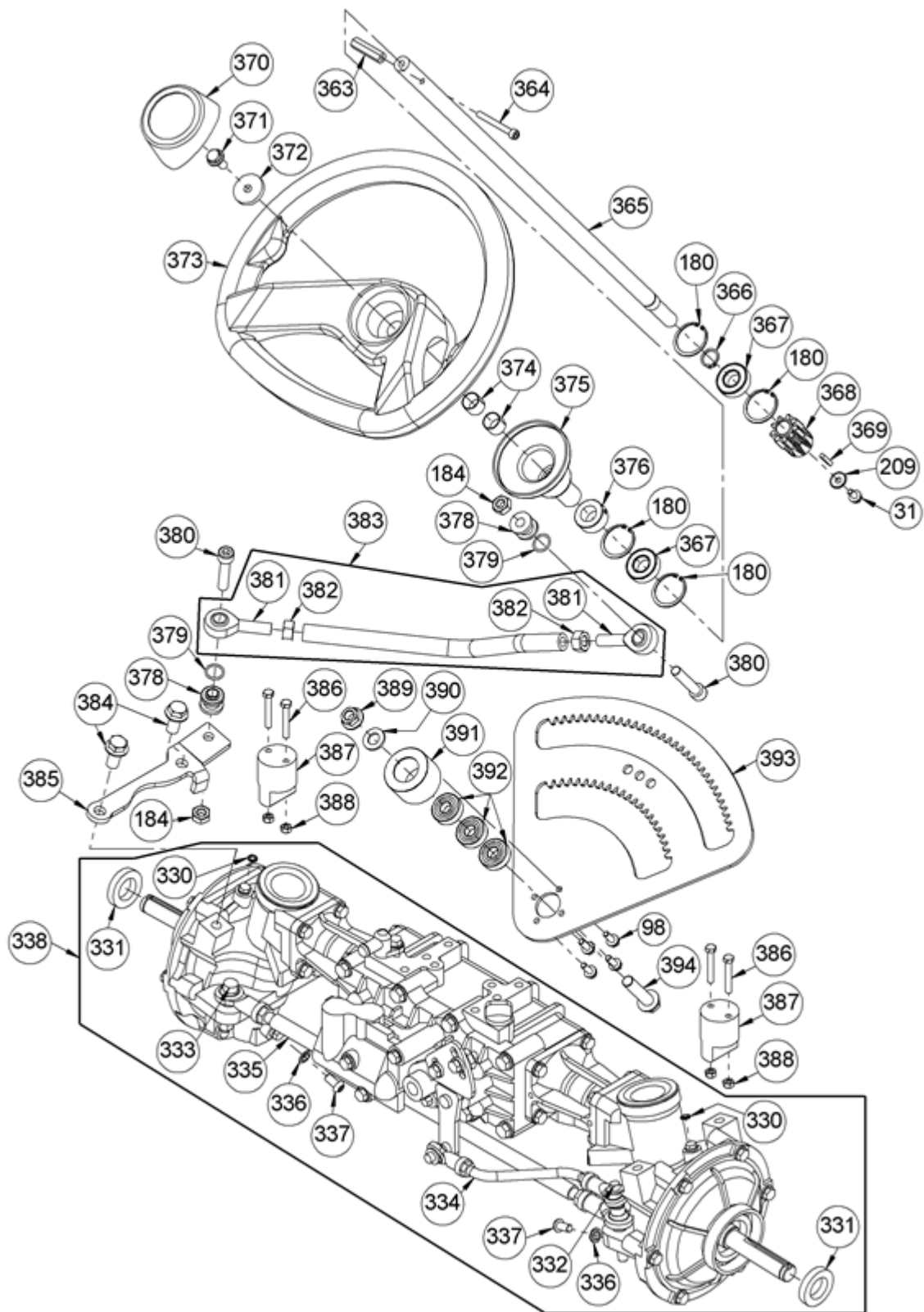
Angle drive



Angle drive

Item	Part-No.		Quantity	Description
29	G06925017	E11546	4	Belt pulley half
31	G00009016	E04631	18	Hexagon screw with serration (5 Stk.)
33	G00009175	E12497	4	Dome head screw with Torx (2 Stk.)
34	G00007041	E05975	4	Selflocking nut with serrated bearing (5
43	G00024070	G00024070	3	Sleeve
46	G00009159	E11673	3	Dome head screw with Torx (10 Stk.)
47	G07837020	E03924	3	Hexagon screw (4 Stk.)
139	G07846008	E03829	1	Self-locking hex nut (10 Stk.)
145	G90425019	G90425019	2	Spring sleeve short
149	G07830055	G07830055	2	Deep groove ball bearing
176	G07830047	E12509	2	Deep groove ball bearing
185	G90426037	G90426037	1	Cover
186	G07857057	G07857057	1	V-belt
187	G90430011	G90430011	1	Transmission holder
188	G60025021	G60025021	3	Belt guide
189	G00009189	G00009189	3	Hexagon screw with serration (5 Stk.)
190	G90430002	G90430002	1	Angle transmission
191	G00007074	E11560	1	Special Nut M10
192	G06930023	E11553	1	Impeller
193	G06930016	E11559	1	Gear hub total
194	G90430010	G90430010	2	Shim
195	G00009068	E06691	2	Raised-head shouldered screw (2 Stk.)
196	G07823016	E07209	2	Circlip for drilled hole (2 Stk.)
197	G60025009	G60025009	2	Tension pulley
198	G00024080	G00024080	2	Sleeve
199	G90425021	G90425021	1	Tension lever rear
200	G07839003	E01906	4	Hex nut (10 Stk.)
201	G07837008	E02926	2	Hexagon screw (10 Stk.)
202	G00001097	G00001097	2	Pressure spring
203	G60025019	G60025019	2	Guide
204	G07837092	G07837092	2	Hexagon screw
205	G07921007	G07921007	2	Ball-and-socket joint
206	G90425022	G90425022	1	Tension lever rear
207	G00010140	G00010140	2	Disc
208	G00010137	E13008	3	Thrust washer
209	G00042008	E06187	2	Detent edge disc
210	G07847036	E05984	2	Shim (10 Stk.)
211	G00009085	E06761	2	Hexagon screw (2 Stk.)
212	G90425017	G90425017	1	Tension lever in front
313	G90425018	G90425018	1	Tension lever front
314	G07818004	E03917	6	Hex nut (10 Stk.)
315	G90425008	G90425008	2	Belt pulley half
316	G07857056	G07857056	1	V-belt
317	G07838022	E03910	6	Hexagon screw (10 Stk.)

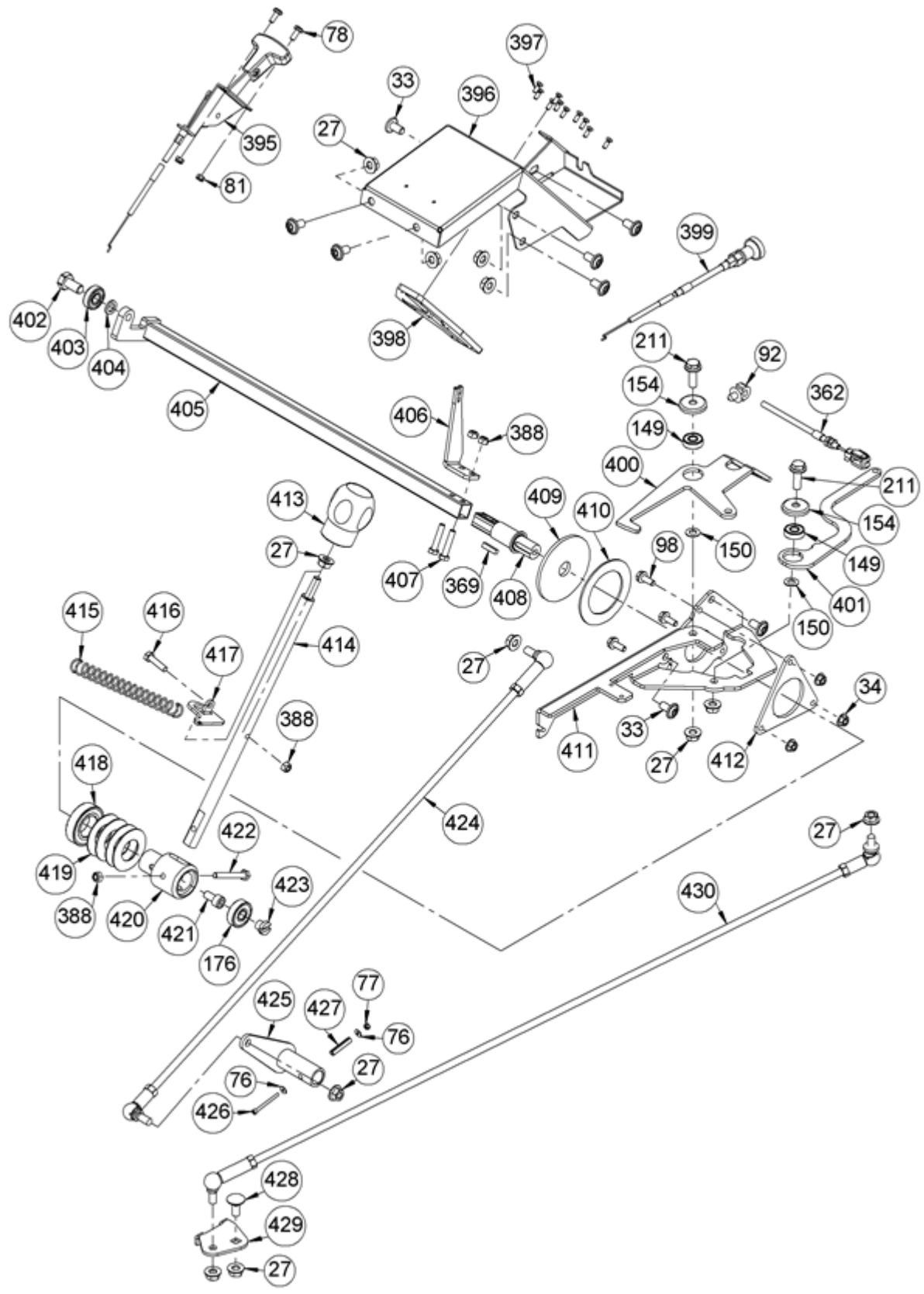
Steering



Steering

Item	Part-No.		Quantity	Description
31	G00009016	E04631	1	Hexagon screw with serration (5 Stk.)
98	G00009094	E07247	4	Locking screw (2 Stk.)
180	G07823011	E04330	4	Circlip for drilled hole (5 Stk.)
184	G07839008	E01953	2	Hex nut (10 Stk.)
209	G00042008	E06187	1	Detent edge disc
330	G06950018	E11743	2	Sealing disc 6
331	G06950023	E11758	2	Shaft seal ring
332	G06950034	E12442	1	Tie rod pin right
333	G06950033	E13003	1	Tie rod pin left
334	G06950021	E11756	1	Steering rod
335	G06950022	E11757	1	Track rod
336	G06950017	E11742	2	Sealing disc 8
337	G00009190	G00009190	2	Screw with Torx
338	G06930012	E11571	1	Transmission front
363	G00007052	E07876	1	Connection nut (2 Stk.)
364	G07833020	E07642	1	Hexagon socket head cap screw (2 Stk.)
365	G06922007	E11585	1	Steering shaft
366	G07822016	E08664	1	Circlip for shaft
367	G07830033	E07637	2	Deep groove ball bearing
368	G06922001	E11586	1	Pinion 9 teeth
369	G07865027	E10595	1	Feather key (2 Stk.)
370	G06922028	E11588	1	Covering cap for handlebar
371	G00009108	E08177	1	Hexagon screw with serration (3 Stk.)
372	G00010133	E12385	1	Disc
373	G06922027	E11587	1	Two-spoke steering wheel
374	G00028052	E11714	2	DU bush (2 Stk.)
375	G90421008	G90421008	1	Immersion hose
376	G07930002	G07930002	1	Adjuster ring
378	G06922005	E11592	2	Joint sleeve
379	G00006060	E11595	2	O-ring (10 Stk.)
380	G07833041	E11594	2	Hexagon socket head cap screw (10 Stk.)
381	G07934001	E11590	2	Joint head
382	G07839015	E03921	2	Hex nut (4 Stk.)
383	G06980003	E11589	1	Steering bar with joint head
384	G00009097	E07718	2	Locking screw (4 Stk.)
385	G90422014	G90422014	1	Steering strip
386	G07837008	E02926	4	Hexagon screw (10 Stk.)
387	G90430005	G90430005	2	Stop
388	G07906002	E06667	4	Self-locking hex nut (10 Stk.)
389	G00007054	E08241	1	Selflocking nut with serrated bearing
390	G07809011	E03919	1	Disc (10 Stk.)
391	G06922006	E11593	1	Pinion bearing
392	G07830030	E06988	3	Deep groove ball bearing
393	G06922002	E11591	1	Pinion plate
394	G00009111	E08291	1	Locking screw

Drive lever



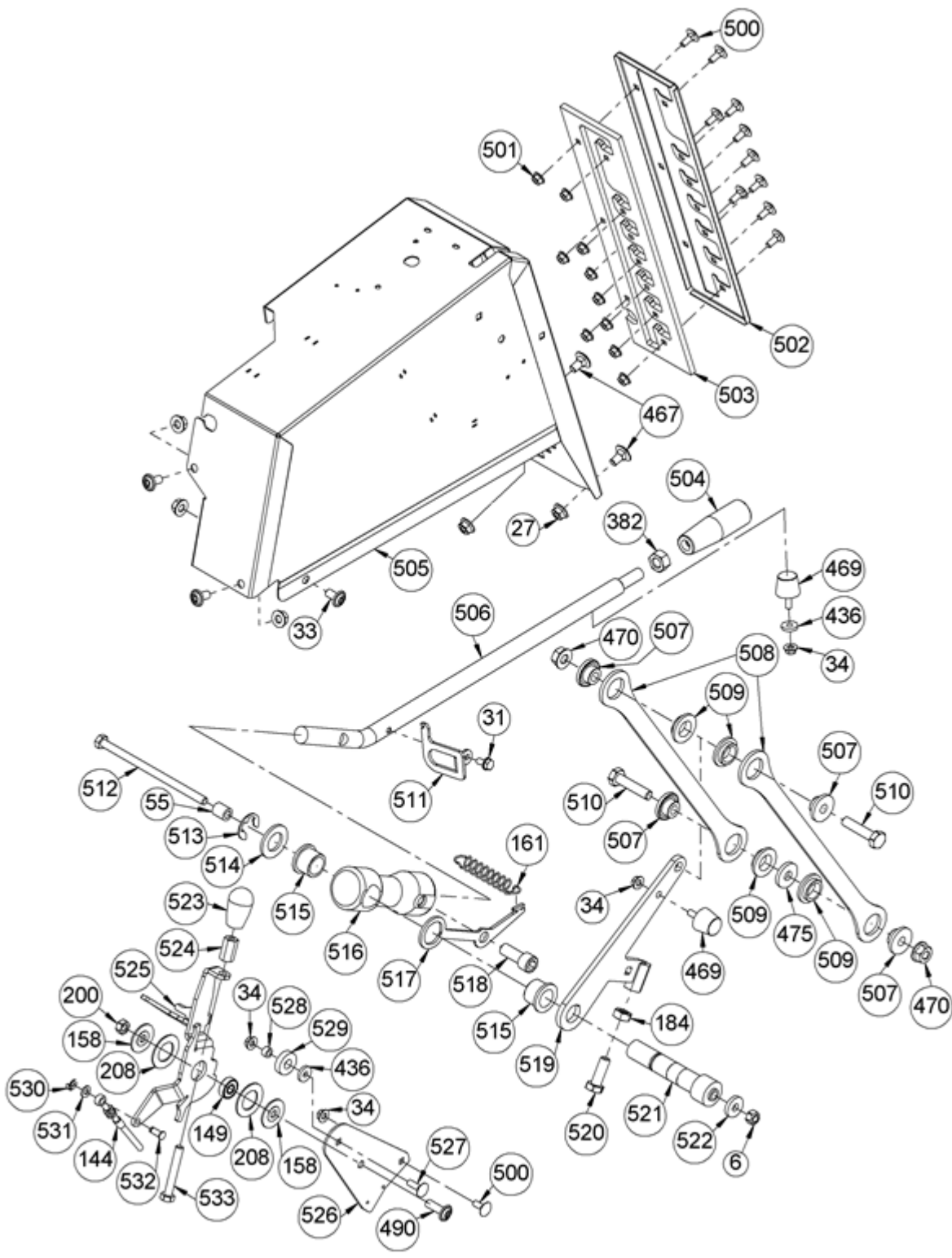
Drive lever

Item	Part-No.		Quantity	Description
27	G00007042	E06037	10	Selflocking nut with serrated bearing (3
33	G00009175	E12497	8	Dome head screw with Torx (2 Stk.)
34	G00007041	E05975	3	Selflocking nut with serrated bearing (5
76	G07880009	E07936	2	Disc (5 Stk.)
77	G07846016	E08540	1	Self-locking hex nut (5 Stk.)
78	G00009128	E10373	2	Self-tapping Torx screw (10 Stk.)
81	G07846002	E01932	2	Self-locking hex nut (5 Stk.)
92	G00026046	E11600	1	Cable holder Ø 7-Ø 10 (2 Stk.)
98	G00009094	E07247	3	Locking screw (2 Stk.)
149	G07830055	G07830055	1	Deep groove ball bearing
150	G07856010	E04337	2	Disc spring (5 Stk.)
154	G06822031	E08449	2	Bearing washer
176	G07830047	E12509	1	Deep groove ball bearing
211	G00009085	E06761	2	Hexagon screw (2 Stk.)
362	G00020196	G00020196	1	Brake pedal cable
369	G07865027	E10595	1	Feather key (2 Stk.)
388	G07906002	E06667	1	Self-locking hex nut (10 Stk.)
395	G00020198	G00020198	1	Throttle cable
396	G90420060	G90420060	1	Control panel right
397	G00009197	G00009197	10	Raised cross-head screw
398	G90422002	G90422002	1	Cover right
399	G00020199	G00020199	1	Choke cable
400	G90434003	G90434003	1	Brake bracket
401	G90422030	G90422030	1	Release lever
402	G07838025	E03930	1	Hexagon screw (5 Stk.)
403	G07830014	E04345	1	Deep groove ball bearing
404	G07847048	E08172	1	Shim (10 Stk.)
405	G90422005	G90422005	1	Deflecting bar
406	G90422029	G90422029	1	Spring holder
407	G07838027	E03933	2	Hexagon screw (10 Stk.)
408	G90422009	G90422009	1	Drive lever pin
409	G90422027	G90422027	1	Slide washer
410	G00010149	G00010149	1	Thrust washer
411	G90422024	G90422024	1	Drive lever holder
412	G90422026	G90422026	1	Bearing shield
413	G00008143	E11628	1	Ball handle
414	G90422007	G90422007	1	Drive lever
415	G00002040	E06475	1	Draw spring
416	G07838007	E01960	1	Hexagon screw (20 Stk.)
417	G90422028	G90422028	1	Spring holder
418	G07830023	E06305	1	Deep groove ball bearing
419	G07856014	G07856014	4	Disc spring
420	G90422008	G90422008	1	Drive lever sleeve
421	G07833011	E05458	1	Hexagon socket head cap screw (5 Stk.)
422	G07838059	E06632	1	Hexagon screw
423	G90422025	G90422025	1	Pin
424	G90422032	G90422032	1	Drive rod total

Drive lever Page 2

Item	Part-No.		Quantity	Description
425	G90425011	G90425011	1	Drive lever
426	G07833052	G07833052	1	Hexagon socket head cap screw
427	G07853035	E06617	1	Spring pin (2 Stk.)
428	G07827004	E04379	1	Mushroom head square neck bolt (5 Stk.)
429	G90430008	G90430008	1	Brake bracket
430	G90434005	G90434005	1	Brake rod total

Adjustment of cutting height



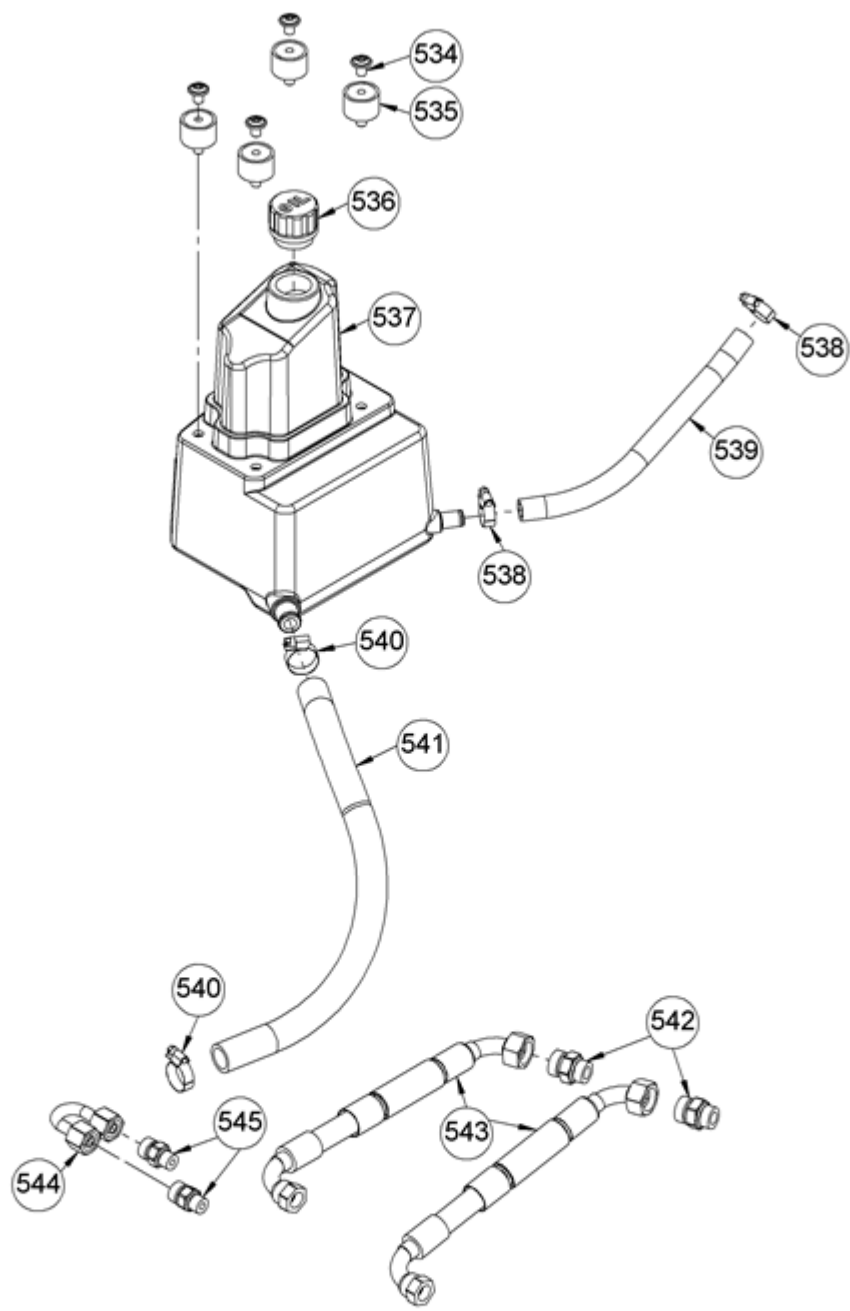
Adjustment of cutting height

Item	Part-No.		Quantity	Description
6	G07906001	E06261	1	Self-locking hex nut (6 Stk.)
27	G00007042	E06037	5	Selflocking nut with serrated bearing (3
31	G00009016	E04631	1	Hexagon screw with serration (5 Stk.)
33	G00009175	E12497	3	Dome head screw with Torx (2 Stk.)
34	G00007041	E05975	1	Selflocking nut with serrated bearing (5
55	G00024066	G00024066	1	Sleeve
144	G00020195	G00020195	1	Blade clutch cable
149	G07830055	G07830055	1	Deep groove ball bearing
158	G00010130	E11606	2	Special disc
161	G00002056	E07867	1	Draw spring
184	G07839008	E01953	1	Hex nut (10 Stk.)
200	G07839003	E01906	1	Hex nut (10 Stk.)
208	G00010137	E13008	2	Thrust washer
382	G07839015	E03921	1	Hex nut (4 Stk.)
436	G07902005	G07902005	2	Disc (10 Stk.)
467	G07827018	E08387	2	Mushroom head square neck bolt (10 Stk.)
469	G00008061	E04597	1	Stop buffer
470	G00007051	E07668	1	Locknut (2 Stk.)
475	G07861007	E08496	1	Disc
490	G00009196	G00009196	1	Raised-head shouldered screw
500	G07827003	E04262	11	Mushroom head square neck bolt (5 Stk.)
501	G07937001	E12459	10	Hex nut (10 Stk.)
502	G90422015	G90422015	1	Cover
503	G90422001	G90422001	1	Cover left
504	G00008142	E11612	1	Replaced by G00008212
 504	G00008212		1	Cylinder button
505	G90420061	G90420061	1	Control panel left
506	G90422022	G90422022	1	Adjusting lever
507	G90422033	G90422033	4	Bearing washer
508	G90422034	G90422034	2	Lifting arm
509	G00028074	G00028074	4	Friction bearing with collar
510	G07837043	E05433	2	Hexagon screw (3 Stk.)
511	G90422023	G90422023	1	Spring holder
512	G07837093	G07837093	1	Hexagon screw
513	G07864009	E08441	1	Lock washer (3 Stk.)
514	G07809015	E11515	1	Disc (5 Stk.)
515	G00028038	E08445	2	Friction bearing with collar
516	G90422021	G90422021	1	Adjusting lever pin
517	G90422020	G90422020	1	Lever
518	G07833055	G07833055	1	Hexagon socket head cap screw
519	G90422019	G90422019	1	Lifting lug
520	G07838009	E01981	1	Hexagon screw (5 Stk.)
521	G90422018	G90422018	1	Retractable axle
522	G07861006	E07940	1	Disc
523	G00008141	E11604	1	Cylinder button
524	G07908002	E12692	1	Hex nut (10 Stk.)
525	G90422017	G90422017	1	Blade engagement lever

Adjustment of cutting height Page 2

Item	Part-No.		Quantity	Description
526	G90422016	G90422016	1	Reinforcement
527	G07827010	E05367	1	Mushroom head square neck bolt (5 Stk.)
528	G04325028	E04359	1	Spacer tube
529	G00008119	E10020	1	Cylindrical spring
530	G00027016	E08452	1	Anti-folding mechanism (5 Stk.)
531	G07809006	E01940	1	Disc (10 Stk.)
532	G00012027	E08451	1	Bolt for anti-folding mechanism
533	G07838083	E11706	1	Hexagon screw (5 Stk.)

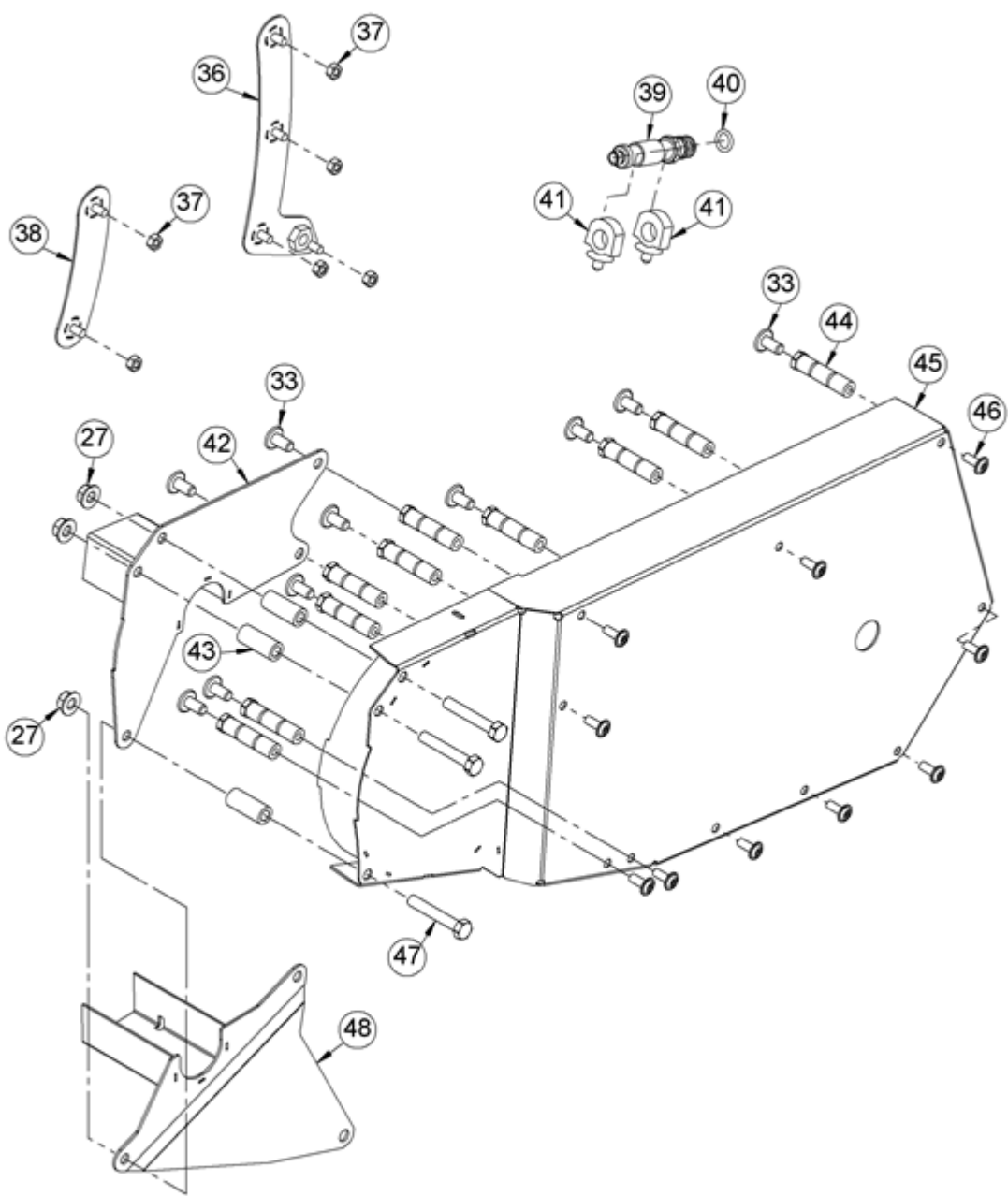
Hydraulik



Hydraulik

Item	Part-No.		Quantity	Description
534	G00009174	E12496	4	Dome head screw with Torx (10 Stk.)
535	G00008050	E03207	4	Rubber element
536	G06930020	E11633	1	Vent cover
537	G90430001	G90430001	1	Surge tank
538	G00034030	E07606	2	Hose clamp
539	G06930019	E11635	1	Rubber hydraulic hose 1010±5
540	G00034034	G00034034	2	Hose clamp
541	G90430014	G90430014	1	Rubber hydraulic hose 445±5
542	G06930008	E11572	2	Threaded connection
543	G90430006	G90430006	2	Hydraulic hose
544	G06930013	E11639	1	Bow
545	G06930014	E11640	2	Threaded connection

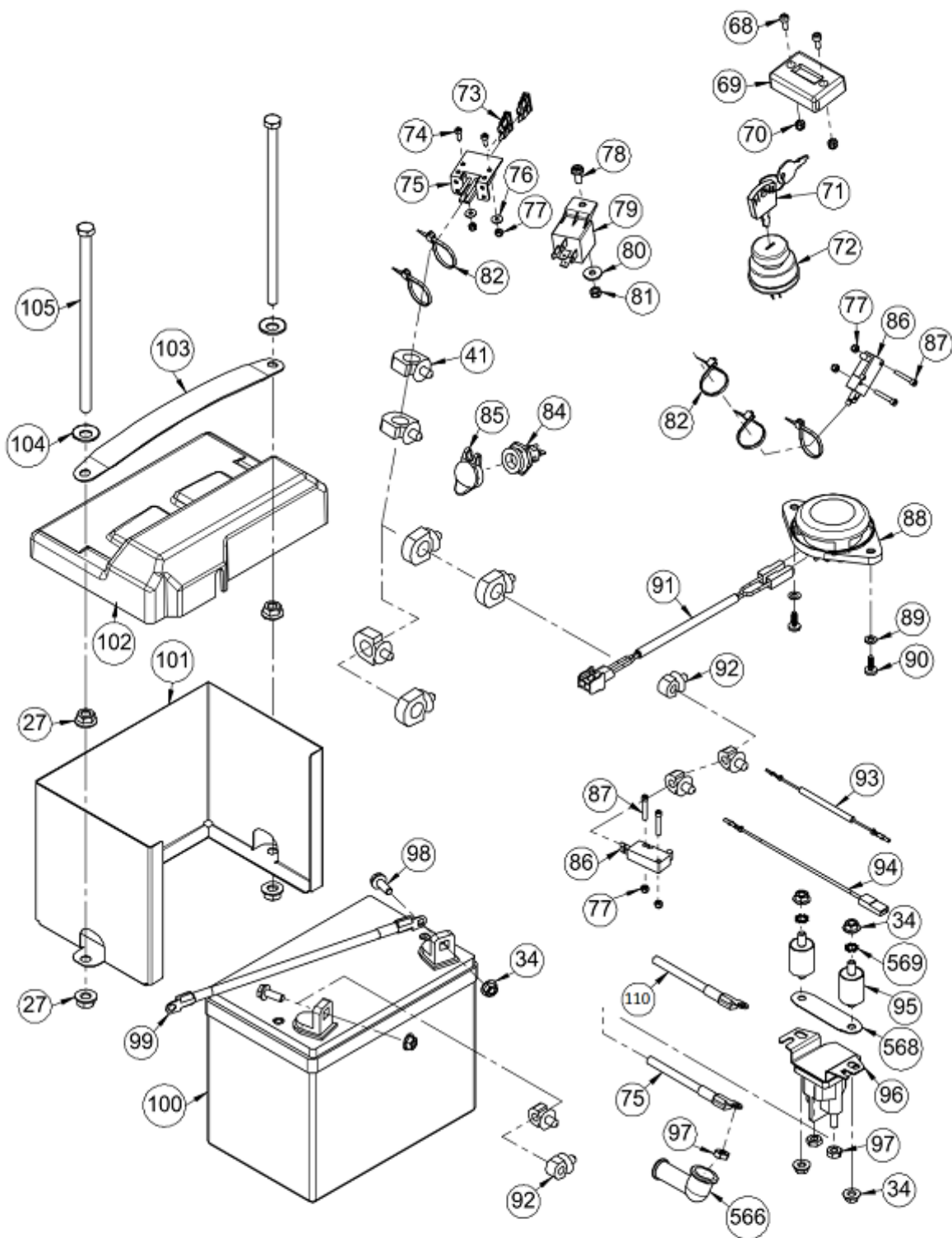
Abdeckungen Haube und Düse



Abdeckungen Haube und Düse

Item	Part-No.		Quantity	Description
27	G00007042	E06037	3	Selflocking nut with serrated bearing (3
33	G00009175	E12497	10	Dome head screw with Torx (2 Stk.)
36	G90420057	G90420057	1	Rail long
37	G07839014	E03915	6	Hex nut (20 Stk.)
38	G90420058	G90420058	1	Rail short
39	G90420056	G90420056	1	Adapter
40	G00006066	G00006066	1	O-ring
41	G00026045	E11599	2	Cable holder Ø 15.5-Ø 18.6 mm
42	G90426044	G90426044	1	Belt protection above
43	G00024070	G00024070	3	Sleeve
44	G90425026	G90425026	10	Belt guide
45	G90426041	G90426041	1	Side cover
46	G00009159	E11673	10	Dome head screw with Torx (10 Stk.)
47	G07837020	E03924	3	Hexagon screw (4 Stk.)
48	G90426047	G90426047	1	Belt protection below

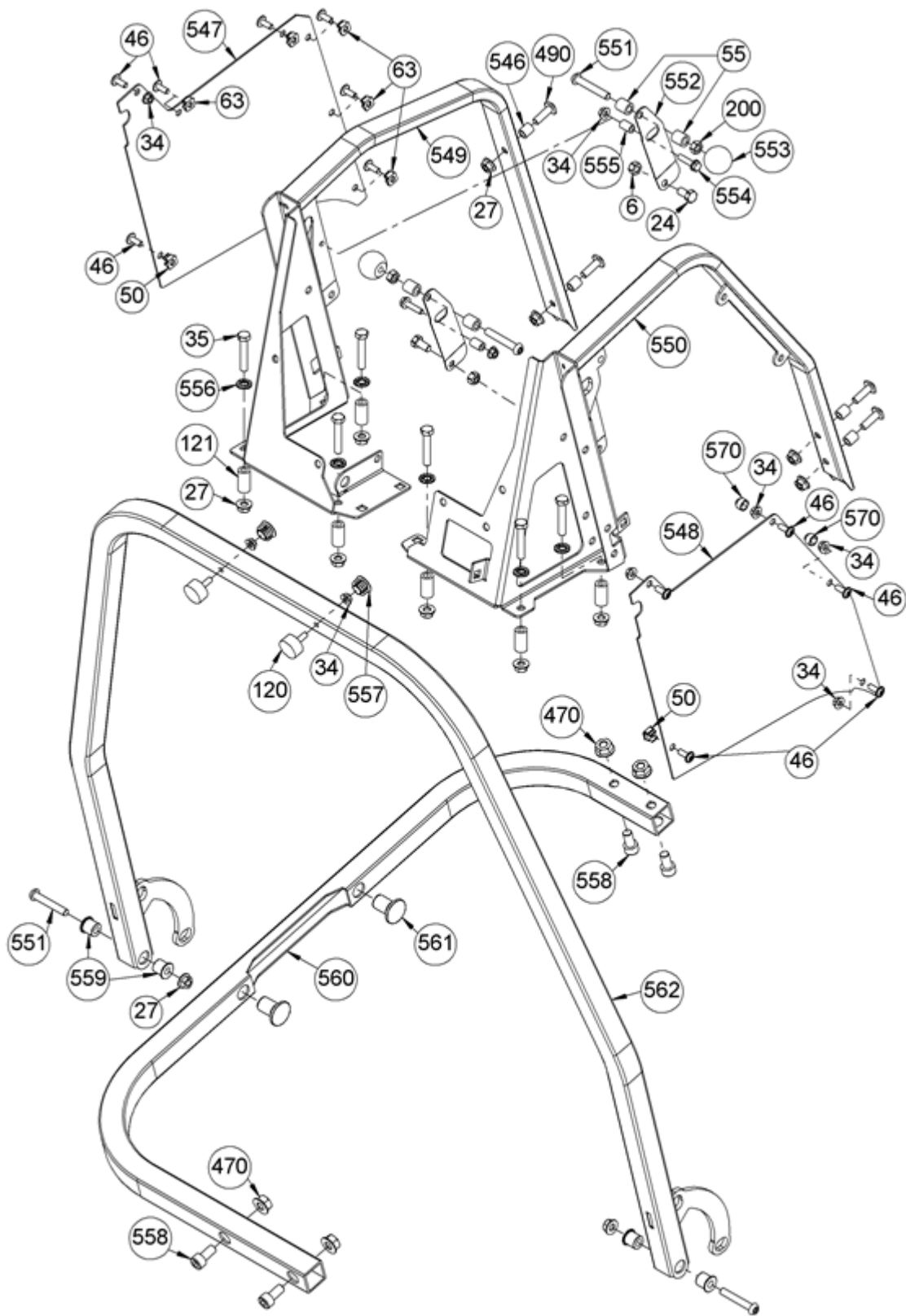
Electrical system



Electrical system

Item	Part-No.		Quantity	Description
27	G00007042	E06037	4	Selflocking nut with serrated bearing (3
34	G00007041	E05975	6	Selflocking nut with serrated bearing (5
41	G00026045	E11599	6	Cable holder Ø 15.5-Ø 18.6 mm
68	G07833029	E08544	2	Hexagon socket head cap screw (5 Stk.)
69	G06927008	E10740	1	Operating hours counter
70	G07846011	E03947	2	Self-locking hex nut (10 Stk.)
71	G06927005	E07590	1	Ignition key
72	G06927004	E07327	1	Ignition switch without key
73	G06650539	E08173	2	Fuse 25 A (alternator)
74	G07833045	E11608	2	Hexagon socket head cap screw (10 Stk.)
75	G90427002	G90427002	1	Wiring harness with switch
76	G07880009	E07936	2	Disc (5 Stk.)
77	G07846016	E08540	4	Self-locking hex nut (5 Stk.)
78	G00009128	E10373	2	Self-tapping Torx screw (10 Stk.)
79	G06927002	E11731	1	Relay
80	G07880007	E03960	1	Disc (20 Stk.)
81	G07846002	E01932	1	Self-locking hex nut (5 Stk.)
82	G00026006	E07956	3	Cable tape (4 Stk.)
84	G06927009	E11678	1	Replaced by G00051010
→	G00051010	G00051010	1	Socket with protective cap
85	G06927010	E11528	1	Replaced by G00051010
→	G00051010	G00051010	1	Socket with protective cap
86	G06927006	E08536	2	Replaced by G00049003
→	G00047003	G00047003	2	Push button (NO contact)
87	G07833043	E11680	4	Hexagon socket head cap screw (10 Stk.)
88	G06650532	E08160	1	Seat contact switch
89	G07809007	E01949	2	Disc (20 Stk.)
90	G07875018	E07950	2	Raised cross-head sheet metal screw (5 S
91	G90427005	G90427005	1	Seat switch cable
92	G00026046	E11600	2	Cable holder Ø 7-Ø 10 (2 Stk.)
93	G90427007	G90427007	1	Cable for shut-off valve
94	G90427006	G90427006	1	Charge cable
95	G00008204	G00008204	2	Rubber element
96	G06927007	E10660	1	Relay large
97	G00007058	E08539	2	Inch nut (5 Stk.)
98	G00009094	E07247	1	Locking screw (2 Stk.)
99	G90427008	G90427008	1	Earth cable
100	G06927003	E11677	1	Battery
101	G90427003	G90427003	1	Battery box
102	G90427001	G90427001	1	Battery cover
103	G90427004	G90427004	1	Battery plate
104	G00042018	E08668	2	Detent edge disc
105	G07837094	G07837094	2	Hexagon screw
110	G90427011	G90427011	1	Batteriekabel
566	G90427009	G90427009	1	Insulating cap
568	G90427010	G90427010	1	Holder for relays
569	G07862010	E03789	2	Tooth lock washer (20 Stk.)

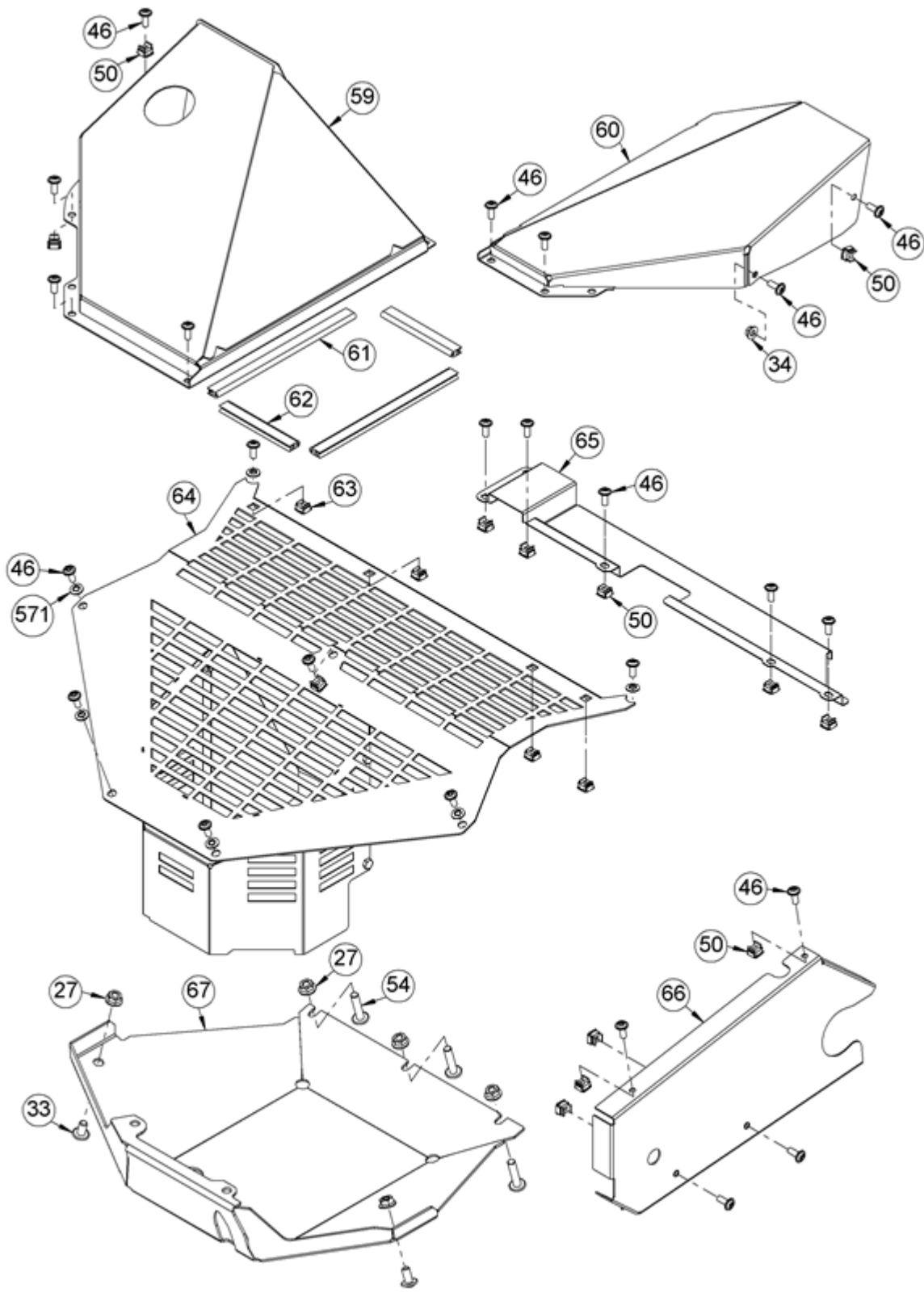
Bar



Bar

Item	Part-No.		Quantity	Description
6	G07906001	E06261	2	Self-locking hex nut (6 Stk.)
24	G07838026	E03932	2	Hexagon screw (10 Stk.)
27	G00007042	E06037	8	Selflocking nut with serrated bearing (3
34	G00007041	E05975	7	Selflocking nut with serrated bearing (5
35	G07837018	E03905	6	Hexagon screw (3 Stk.)
46	G00009159	E11673	11	Dome head screw with Torx (10 Stk.)
50	G00007057	E08437	2	Box nut (5 Stk.)
55	G00024066	G00024066	4	Sleeve
63	G00007046	E06672	4	Box nut (2 Stk.)
120	G00008209	G00008209	2	Rubber element
121	G00024081	G00024081	6	Sleeve
200	G07839003	E01906	2	Hex nut (10 Stk.)
470	G00007051	E07668	4	Locknut (2 Stk.)
490	G00009196	G00009196	4	Raised-head shouldered screw
546	G00024082	G00024082	4	Sleeve
547	G90426059	G90426059	1	Side cover left
548	G90426058	G90426058	1	Side cover right
549	G90426017	G90426017	1	Holder left
550	G90426014	G90426014	1	Holder right
551	G00009198	G00009198	4	Screw with Torx
552	G90422006	G90422006	2	Spring plate
553	G07917001	E07245	2	Spherical button
554	G07913012	E11920	2	Screw (4 Stk.)
555	G00024022	E07123	2	Stop sleeve
556	G00042012	E07132	6	Detent edge disc (4 Stk.)
557	G00029026	E11898	2	Lamella plugs (10 Stk.)
558	G07833038	E11373	2	Hexagon socket head cap screw (4 Stk.)
559	G90426007	G90426007	4	Sleeve
560	G90426049	G90426049	1	Bar
561	G00029034	G00029034	2	Stopper
562	G90426006	G90426006	1	Bar
570	G00029035	G00029035	2	Sealing cap M6

Covers rear



Covers rear

Item	Part-No.		Quantity	Description
27	G00007042	E06037	5	Selflocking nut with serrated bearing (3
33	G00009175	E12497	5	Dome head screw with Torx (2 Stk.)
34	G00007041	E05975	1	Selflocking nut with serrated bearing (5
46	G00009159	E11673	19	Dome head screw with Torx (10 Stk.)
50	G00007057	E08437	11	Box nut (5 Stk.)
54	G00009069	E06613	3	Raised-head shouldered screw (2 Stk.)
59	G90426021	G90426021	1	Ventilation grid
60	G90426024	G90426024	1	Hood
61	G90426055	G90426055	2	Edge protection profile long
62	G90426056	G90426056	2	Edge protection profile short
63	G00007046	E06672	5	Box nut (2 Stk.)
64	G90426029	G90426029	1	Transmission protection cover
65	G90426018	G90426018	1	Covering
66	G90426060	G90426060	1	Belt protection
67	G90426057	G90426057	1	Tub
571	G00042019	G00042019	6	Detent edge disc

Instruction plate – set



572

Pos.-Nr.	Artikel-Nr.	Beschreibung
572	G90480001	Aufkleber-Set AS 1040 YAK

Instruction plate – set

Item	Part-No.		Quantity	Description
572	G90480001	G90480001	1	Instruction plate - set AS 1040 YAK

Proposal repair parts list

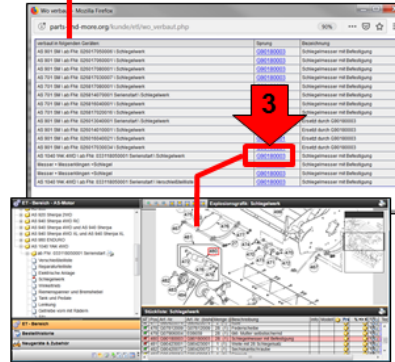
Pos	Art.-Nr.	Art.-Nr. (bisher)	Menge (min.)	Beschreibung	Info	Modell	Preis	% => €	Tech-Info
1	G90180003	G90180003	28 (1)	Schliessmesser mit Befestigung					bearbeiten
2	G07857057	G07857057	1 (1)	Keilriemen					bearbeiten
3	G07857056	G07857056	1 (1)	Keilriemen					bearbeiten
4	G07857035	E08304	1 (1)	Hochleistungskeilriemen					bearbeiten
5	G90434006	G90434008	1 (1)	Bremsbelaghalter mit Bremsbelag					bearbeiten
6	G00041054	E12381	1 (10)	2x5L Kanister Öl Titan Supersyn SAE5W-50					bearbeiten
7	G00006067	G00006067	1 (1)	O-Ring					bearbeiten
8	G06990016	E11741	1 (1)	Dichtscheibe 10					bearbeiten
9	G06980002	E11530	1 (1)	Ölfilter+Deckel+Dichtungen					bearbeiten
10	G00006066	G00006066	1 (1)	O-Ring					bearbeiten

1 → Alle Artikel in den Warenkorb legen / Put all items in the cart / Mettre tous les articles dans le panier / Pon todos los artículos en el carrito / Поместить все запасные части в корзину

Bei Bedarf Artikel in der Zeichnung ansehen / If necessary, see the article in the drawing / Si nécessaire, regarder l'article dans l'éclaté / Si es necesario, ver el artículo en el dibujo / При необходимости см. запасную часть на чертеже:

2 → Klick auf Fernglas / Click on binoculars / Cliquez sur les jumelles / Haga clic en binoculares / Нажмите на бинокль

3 → Klick auf Artikel-Nummer bei Gerätemodell / Click on item number at according device model / Cliquez sur le numéro de pièce dans le modèle d'appareil / Haga clic en el número de artículo en el modelo de máquina / Нажмите на номер товара для модели устройства



Proposal repair parts list

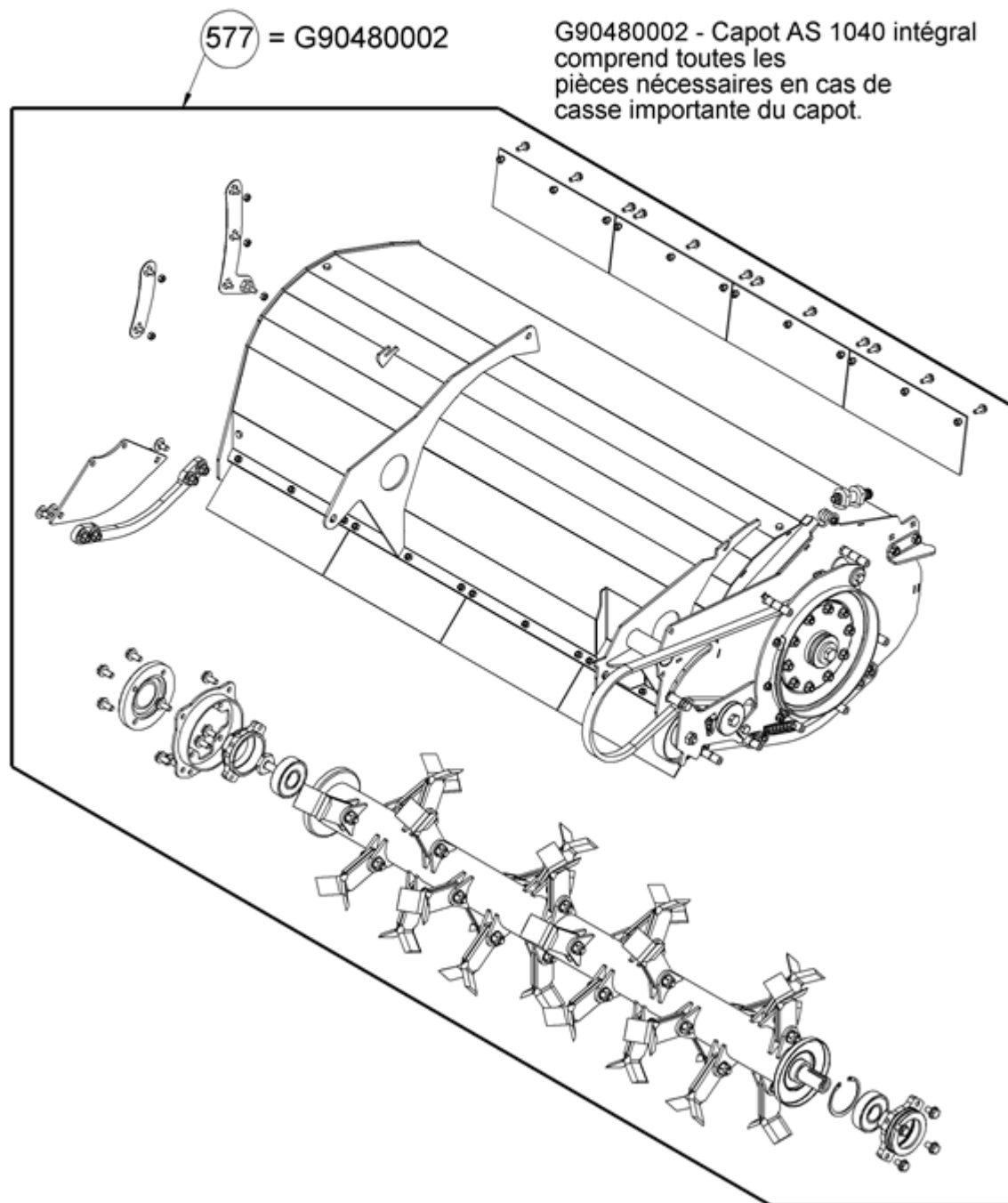
Item	Part-No.		Quantity	Description
1	G06650539	E08173	3	Fuse 25 A (alternator)
2	G06927002	E11731	1	Relay
3	G00008204	G00008204	1	Rubber element
4	G00008061	E04597	1	Stop buffer
5	G90426035	G90426035	1	Ejector rubber
6	G00020195	G00020195	1	Blade clutch cable
7	G06906002	E11525	1	Fuel hose 1405 long
8	G00020197	G00020197	1	Differential cable
9	G00020196	G00020196	1	Brake pedal cable
10	G00006060	E11595	1	O-ring (10 Stk.)
11	G90430006	G90430006	1	Hydraulic hose
12	G90426051	G90426051	1	Edge protection profile for fans
13	G00008209	G00008209	1	Rubber element
14	G00020198	G00020198	1	Throttle cable
15	G00020199	G00020199	1	Choke cable
16	G00008050	E03207	1	Rubber element
17	G00034030	E07606	1	Hose clamp
18	G06930019	E11635	1	Rubber hydraulic hose 1010±5
19	G00034034	G00034034	1	Hose clamp
20	G90430014	G90430014	1	Rubber hydraulic hose 445±5
21	G06930007	E11573	1	Hydraulic hose
22	G90426036	G90426036	1	Protection skirt
23	G90426055	G90426055	1	Edge protection profile long
24	G90426056	G90426056	1	Edge protection profile short

Hood AS 1040 completely

G90480002 - Haube AS 1040 vollständig beinhaltet alle Teile die zum Austausch einer schwer beschädigten Haube notwendig sind.

G90480002 - "hood AS 1040 completely" contains all parts which are necessary for exchanging of damaged hood.

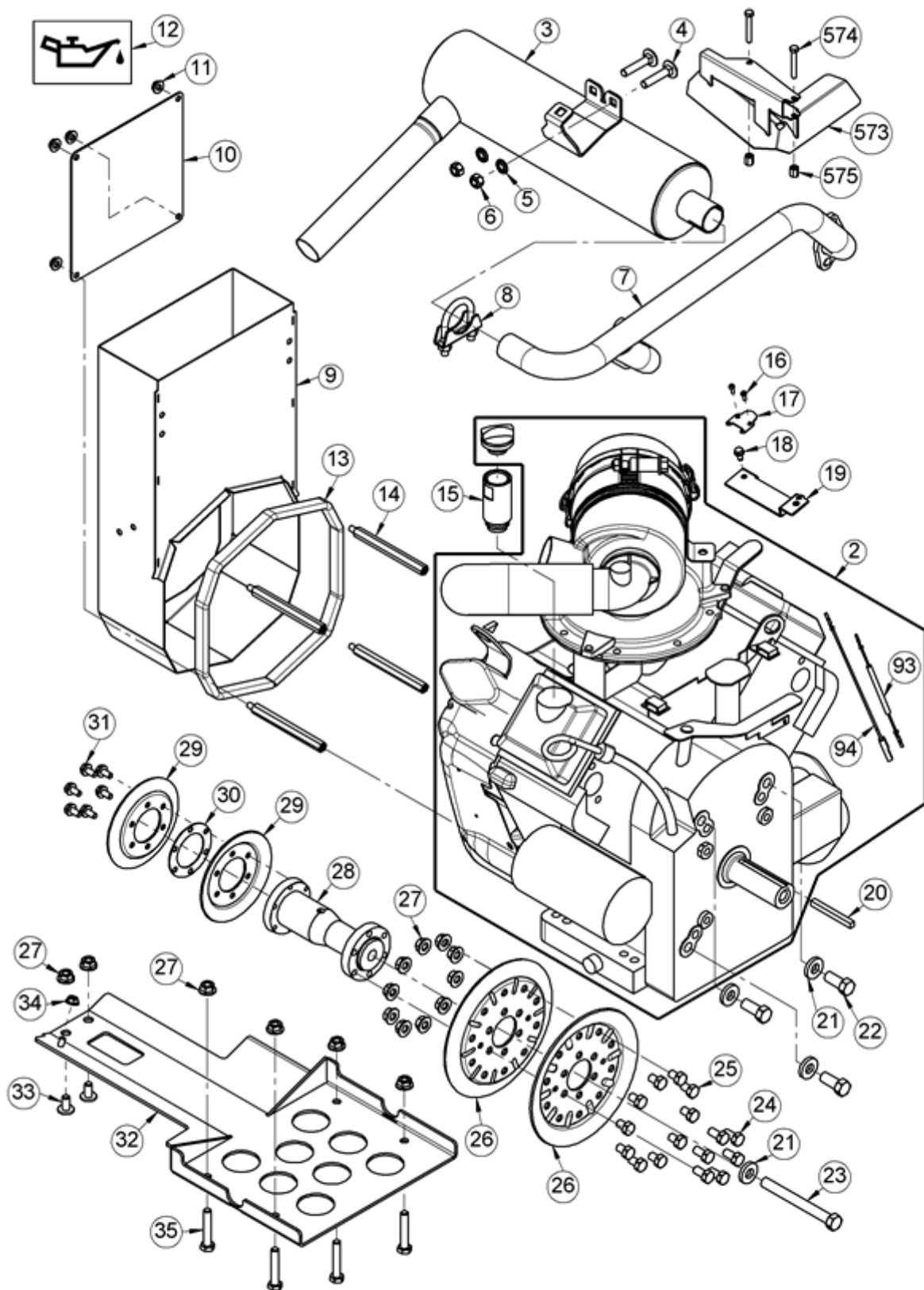
G90480002 - Capot AS 1040 intégral comprend toutes les pièces nécessaires en cas de casse importante du capot.



Hood AS 1040 completely

Item	Part-No.		Quantity	Description
577	G90480002	G90480002	1	Hood AS 1040 total spare part

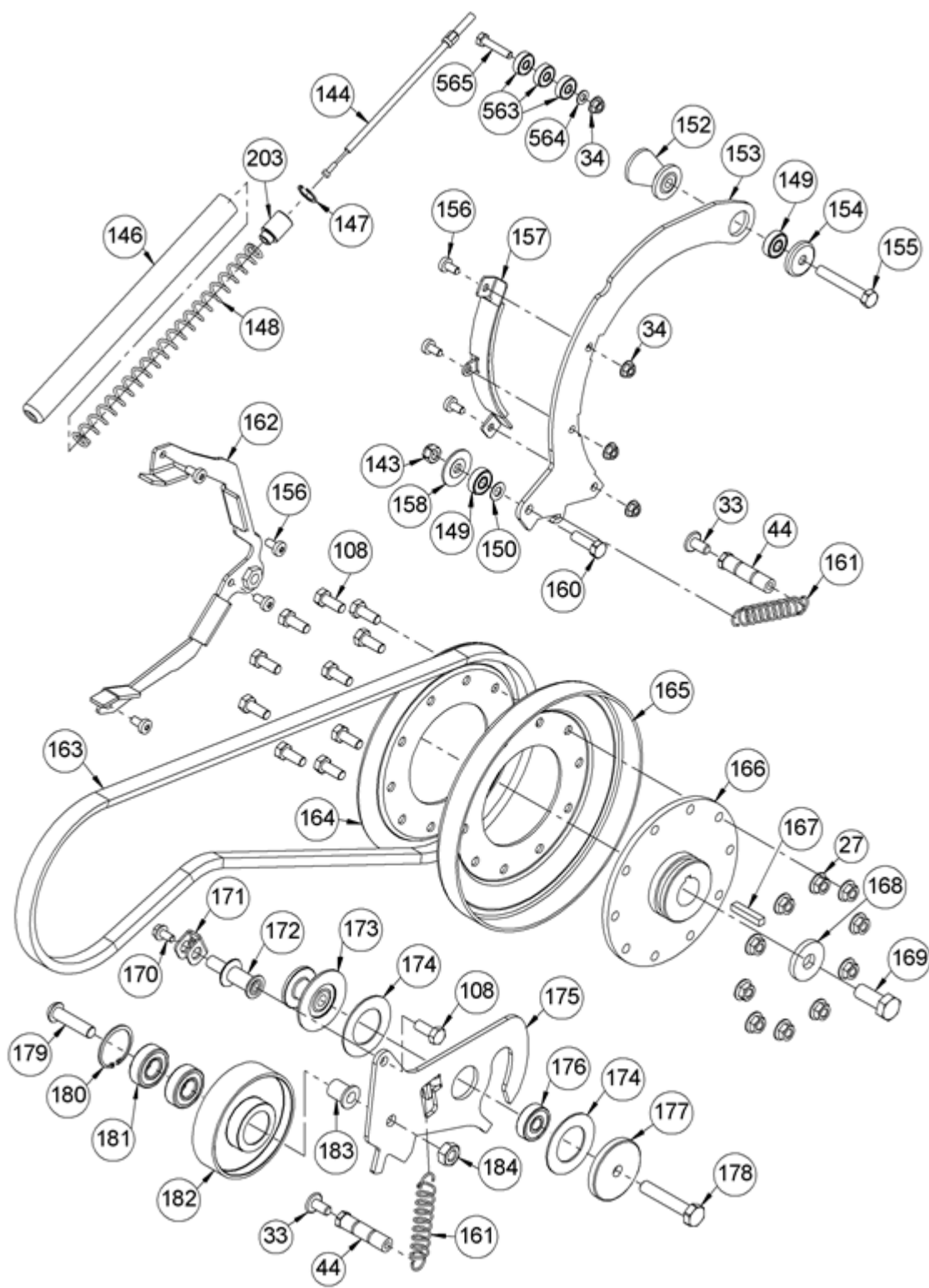
Engine



Engine

Item	Part-No.		Quantity	Description
2	G00580003	G00580003	1	ET-Motor B&S 23 VANGUARD
3	G90409007	G90409007	1	Exhaust
4	G07827017	E06612	2	Mushroom head square neck bolt (3 Stk.)
5	G00042004	E05863	2	Detent edge disc (5 Stk.)
6	G07906001	E06261	2	Self-locking hex nut (6 Stk.)
7	G90409004	G90409004	1	Exhaust manifold
8	G00034031	E07616	1	Clip
9	G90426032	G90426032	1	Fan housing
10	G90426033	G90426033	1	Cover
11	G07932001	E10188	4	Hex nut
12	G00041064	E12381	1	2x5 liter canister oil Titan Supersyn SA
13	G90426051	G90426051	1	Edge protection profile for fans
14	G00007090	G00007090	4	Connection nut
15	G90420059	G90420059	1	Extension
16	G07833045	E11608	2	Hexagon socket head cap screw (10 Stk.)
17	G90422012	G90422012	1	Mounting plate
18	G07890003	E04576	1	Flanged self-tapping screw (3 Stk.)
19	G90422013	G90422013	1	Counter support
20	G07865023	E08673	1	Feather key
21	G00010147	G00010147	4	Disc
22	G00009194	G00009194	3	Inch screw
23	G00009195	G00009195	1	Inch screw
24	G07838026	E03932	6	Hexagon screw (10 Stk.)
25	G07838012	E03714	10	Hexagon screw (10 Stk.)
26	G90425002	G90425002	2	Belt pulley half
27	G00007042	E06037	16	Selflocking nut with serrated bearing (3
28	G90425013	G90425013	1	Engine hub
29	G06925017	E11546	2	Belt pulley half
30	G90425028	G90425028	1	Spacer disc
31	G00009016	E04631	6	Hexagon screw with serration (5 Stk.)
32	G90426054	G90426054	1	Motor protection
33	G00009175	E12497	2	Dome head screw with Torx (2 Stk.)
34	G00007041	E05975	1	Selflocking nut with serrated bearing (5
35	G07837018	E03905	4	Hexagon screw (3 Stk.)
93	G90427007	G90427007	1	Cable for shut-off valve
94	G90427006	G90427006	1	Charge cable
573	G90409010	G90409010	1	Protection for exhaust manifold
574	G07838054	E05718	2	Hexagon screw (3 Stk.)
575	G00007087	G00007087	2	Connection nut (10 Stk.)

Belt tensioner and brake levers



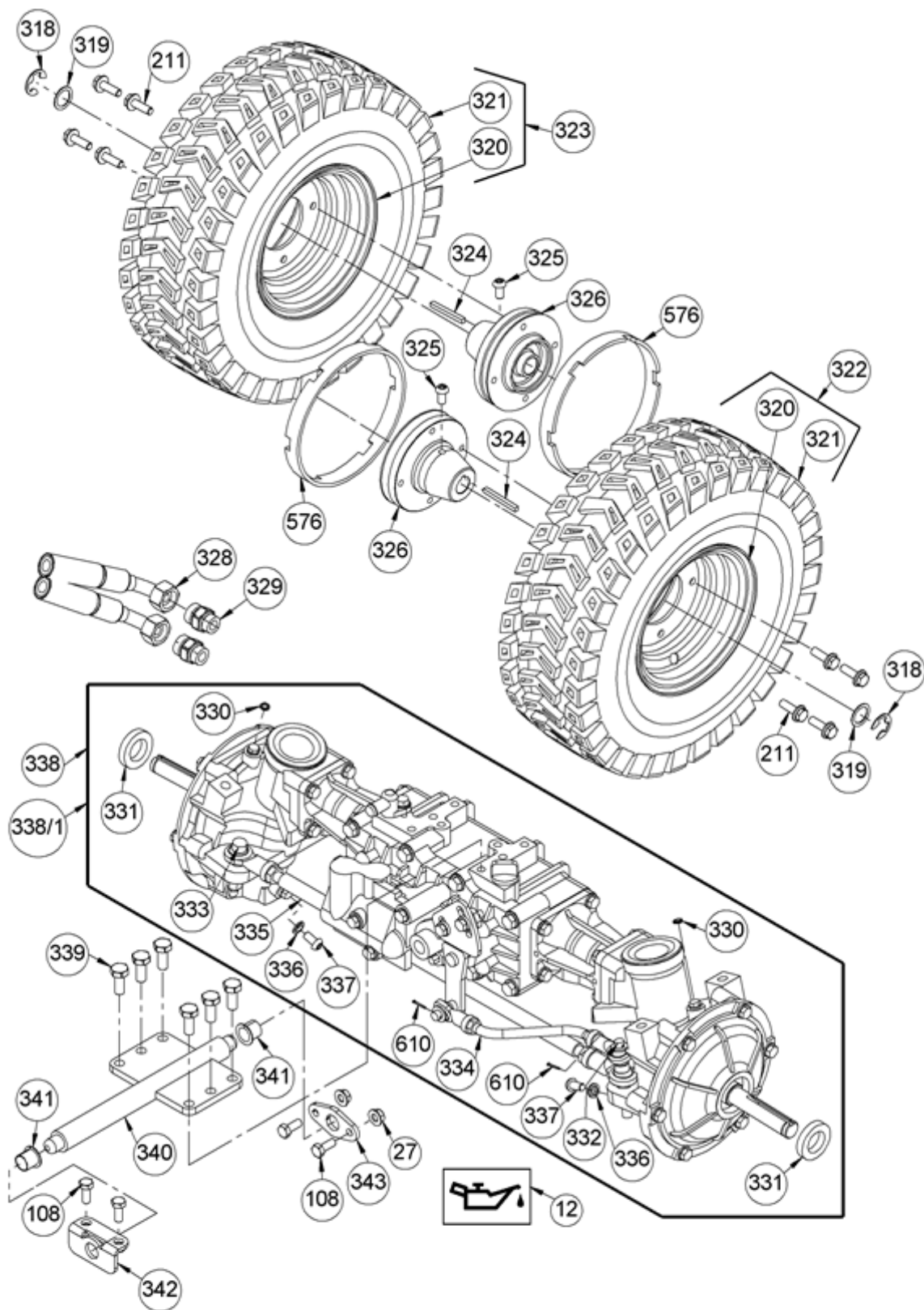
Belt tensioner and brake levers

Item	Part-No.		Quantity	Description
27	G00007042	E06037	10	Selflocking nut with serrated bearing (3
33	G00009175	E12497	2	Dome head screw with Torx (2 Stk.)
34	G00007041	E05975	3	Selflocking nut with serrated bearing (5
44	G90425026	G90425026	2	Belt guide
108	G07838028	E03938	10	Hexagon screw (10 Stk.)
143	G07846001	E01912	1	Self-locking hex nut (10 Stk.)
144	G00020195	G00020195	1	Blade clutch cable
146	G90425020	G90425020	1	Spring sleeve long
147	G07823017	G07823017	1	Circlip for drilled hole (10 Stk.)
148	G00001082	G00001082	1	Pressure spring
149	G07830055	G07830055	2	Deep groove ball bearing
150	G07856010	E04337	1	Disc spring (5 Stk.)
152	G90434010	G90434010	1	Bearing bolt
153	G90434007	G90434007	1	Brake lever
154	G06822031	E08449	1	Bearing washer
155	G07837015	E03777	1	Hexagon screw (5 Stk.)
156	G00009083	E06753	4	Rounded head screw with inside Torx (2 S
157	G90434008	G90434008	1	Brake line holder with brake lining
158	G00010130	E11606	1	Special disc
160	G07838029	E03939	1	Hexagon screw (5 Stk.)
161	G00002056	E07867	2	Draw spring
162	G90425015	G90425015	1	Belt guide
163	G07857035	E08304	1	High performance V-belt
164	G90425004	G90425004	1	Belt pulley half
165	G90425006	G90425006	1	Brake drum
166	G90425012	G90425012	1	Belt pulley hub
167	G07865011	E06649	1	Feather key
168	G07861004	E07213	1	Disc (2 Stk.)
169	G07838057	E08793	1	Hexagon screw
170	G07913008	E10836	1	Flange screw (20 Stk.)
171	G90425027	G90425027	1	Fork head
172	G90425025	G90425025	1	Mounting bolt
173	G90425024	G90425024	1	Bearing washer
174	G00010138	E13009	2	Thrust washer
175	G90425023	G90425023	1	Belt tensioner
176	G07830047	E12509	1	Deep groove ball bearing
177	G90120019	E13006	1	Bearing washer
178	G07837046	E05555	1	Hexagon screw
179	G07922003	E10159	1	Raised countersunk head screw with hexag
180	G07823011	E04330	1	Circlip for drilled hole (5 Stk.)
181	G07830051	E12502	2	Deep groove ball bearing
182	G90425014	G90425014	1	Tension pulley
183	G00024083	G00024083	1	Sleeve
184	G07839008	E01953	1	Hex nut (10 Stk.)
203	G60025019	G60025019	1	Guide
563	G07830041	E10482	3	Deep groove ball bearing
564	G07847051	E10483	1	Shim (10 Stk.)

Belt tensioner and brake levers Page 2

Item	Part-No.		Quantity	Description
565	G07838027	E03933	1	Hexagon screw (10 Stk.)

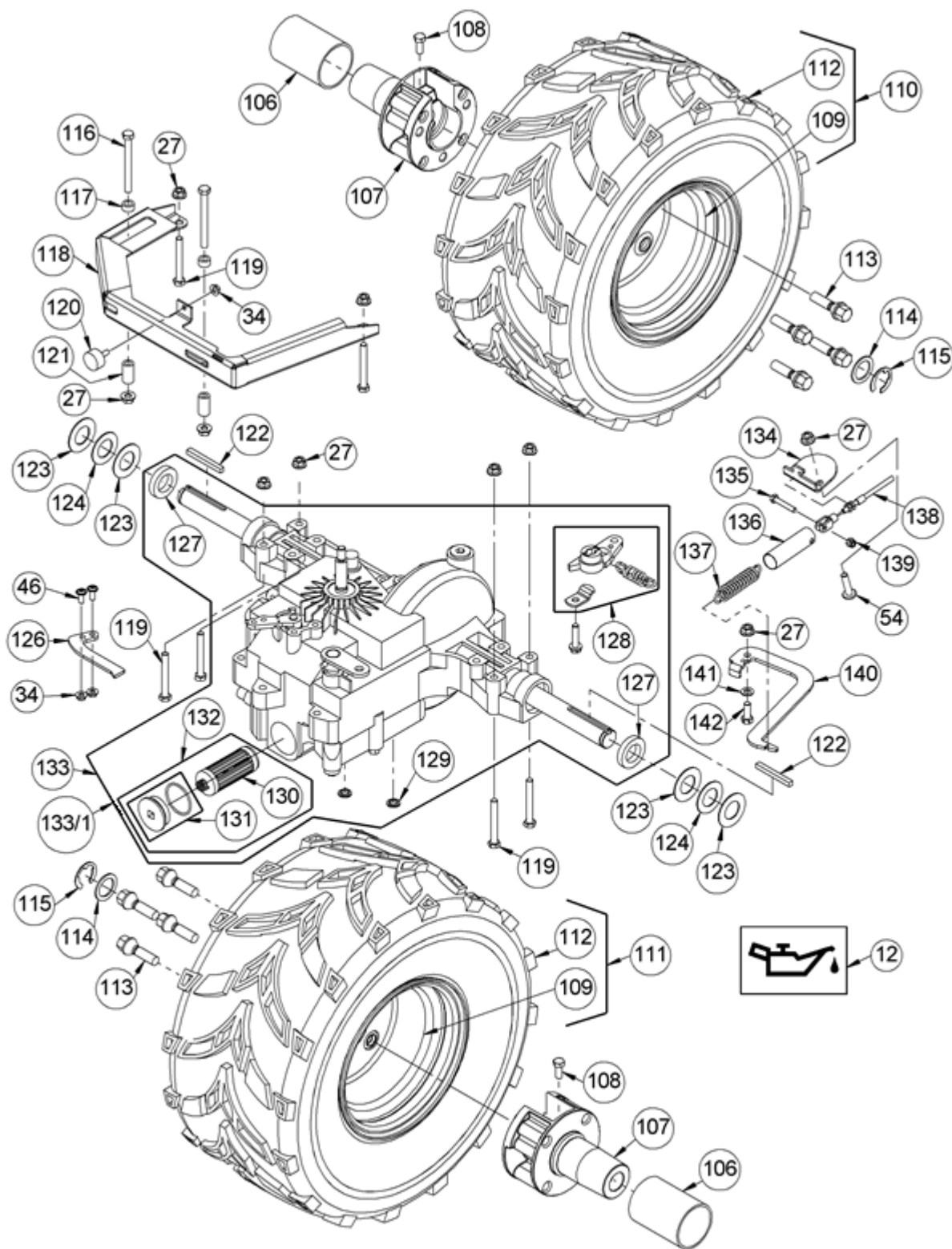
Front transmission with wheels



Front transmission with wheels

Item	Part-No.		Quantity	Description
12	G00041064	E12381	1	2x5 liter canister oil Titan Supersyn SA
27	G00007042	E06037	2	Selflocking nut with serrated bearing (3
108	G07838028	E03938	4	Hexagon screw (10 Stk.)
211	G00009085	E06761	8	Hexagon screw (2 Stk.)
318	G07864012	E11582	2	Lock washer
319	G07847046	E07725	2	Shim (3 Stk.)
320	G06950011	E11580	2	Front wheel rim
321	G06950012	E11581	2	Front wheel brace 15X5.00-6
322	G06921008	E11578	1	Right hand front wheel 15X5.00-6
323	G06921009	E11579	1	Left hand front wheel 15X5.00-6
324	G07865030	E11577	2	Feather key (2 Stk.)
325	G00009190	G00009190	2	Screw with Torx
326	G90421001	G90421001	2	Wheel hub front
328	G90430006	G90430006	2	Hydraulic hose
329	G06930008	E11572	2	Threaded connection
330	G06950018	E11743	2	Sealing disc 6
331	G06950023	E11758	2	Shaft seal ring
332	G06950034	E12442	1	Tie rod pin right
333	G06950033	E13003	1	Tie rod pin left
334	G06950021	E11756	1	Steering rod
335	G06950022	E11757	1	Track rod
336	G06950017	E11742	2	Sealing disc 8
337	G00009190	G00009190	2	Screw with Torx
338	G06930012	E11571	1	Transmission front
338/1	G06950019	E11754	1	Transmission front (overhauled)
339	G07838079	E08658	6	Hexagon screw
340	G06930003	E11574	1	Swing axle total
341	G00028025	E06504	2	DU flanged bush (4 Stk.)
342	G06930002	E11575	1	Bearing angle
343	G90430007	G90430007	1	Bearing flange
576	G90421009	G90421009	2	grass tangling guard 15X5.00-6
610	G07808005	E03943	2	Split pin (10 Stk.)

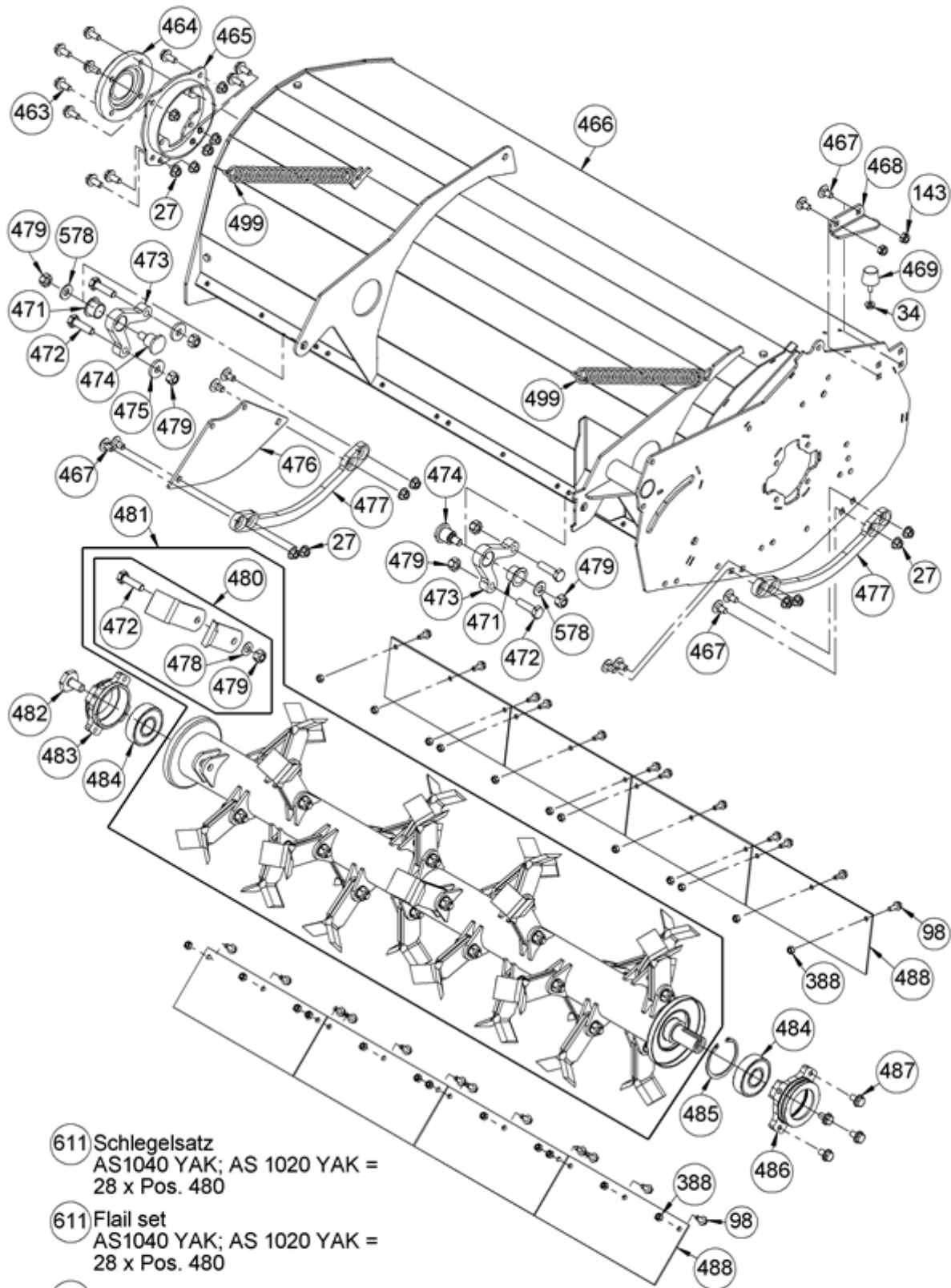
Rear transmission with wheels



Rear transmission with wheels

Item	Part-No.		Quantity	Description
12	G00041064	E12381	1	2x5 liter canister oil Titan Supersyn SA
27	G00007042	E06037	10	Selflocking nut with serrated bearing (3
34	G00007041	E05975	3	Selflocking nut with serrated bearing (5
46	G00009159	E11673	2	Dome head screw with Torx (10 Stk.)
54	G00009069	E06613	1	Raised-head shouldered screw (2 Stk.)
106	G90421005	G90421005	2	Winding protection behind
107	G90421003	G90421003	2	Wheel hub
108	G07838028	E03938	2	Hexagon screw (10 Stk.)
109	G06950009	E11568	2	Rear wheel rim 18X9.50-8
110	G06921004	E11566	1	Back wheel right 18X9.50-8
111	G06921005	E11567	1	Back wheel left 18X9.50-8
112	G06950010	E11569	2	Rear wheel housing
113	G00009157	E11570	8	Spherical collar screw
114	G07847032	E05667	2	Supporting disc
115	G07864013	E11565	2	Lock washer
116	G07837079	E12115	2	Hexagon screw
117	G00024008	E06102	2	Spacer sleeve
118	G90426034	G90426034	1	Transmission bracket
119	G07837041	E04944	6	Hexagon screw (3 Stk.)
120	G00008209	G00008209	1	Rubber element
121	G00024081	G00024081	2	Sleeve
122	G07865023	E08673	2	Feather key
123	G90421007	G90421007	4	Winding protection
124	G00010148	G00010148	2	Thrust washer
126	G06930022	E11561	1	Adjusting lever
127	G06950024	E11759	2	Shaft seal ring
128	G06980013	E13140	1	Lever+lever holder+draw spring
129	G06950016	E11741	2	Sealing disc 10
130	G06950002	E11531	1	Oil filter transmission
131	G06950004	E11533	1	Cover + O-ring
132	G06980002	E11530	1	Oil filter + cap + gaskets
133	G06930015	E11552	1	Transmission rear
133/1	G06950020	E11755	1	Transmission rear (overhauled)
134	G90430013	G90430013	1	Angle
135	G07837024	E04058	1	Hexagon screw (10 Stk.)
136	G90430012	G90430012	1	Sleeve
137	G00002083		1	Draw spring
138	G00020197	G00020197	1	Differential cable
139	G07846008	E03829	1	Self-locking hex nut (10 Stk.)
140	G90430009	G90430009	1	Extension
141	G07809004	E01905	1	Disc (20 Stk.)
142	G07838047	E05320	1	Hexagon screw (10 Stk.)

Flails mechanism



611 Schlegelsatz
AS1040 YAK; AS 1020 YAK =
28 x Pos. 480

611 Flail set
AS1040 YAK; AS 1020 YAK =
28 x Pos. 480

611 Jeu de lames maillets
AS1040 YAK; AS 1020 YAK =
28 x Pos. 480

Flails mechanism

Item	Part-No.		Quantity	Description
27	G00007042	E06037	14	Selflocking nut with serrated bearing (3
34	G00007041	E05975	1	Selflocking nut with serrated bearing (5
98	G00009094	E07247	24	Locking screw (2 Stk.)
143	G07846001	E01912	2	Self-locking hex nut (10 Stk.)
388	G07906002	E06667	24	Self-locking hex nut (10 Stk.)
463	G00009146	E10417	10	Locking screw (4 Stk.)
464	G90420055	G90420055	1	Cover
465	G90420052	G90420052	1	Bearing shield
466	G90420049	G90420049	1	Hood AS 1040
467	G07827018	E08387	2	Mushroom head square neck bolt (10 Stk.)
468	G90420075	G90420075	1	Angle
469	G00008061	E04597	1	Stop buffer
471	G00028069	G00028069	2	DU flanged bush
472	G00009188	G00009188	32	Hexagon screw
473	G90420070	G90420070	2	Flange
474	G90420071	G90420071	2	Collar screw
475	G07861007	E08496	2	Disc
476	G90420073	G90420073	1	Closing sheet
477	G90420074	G90420074	2	Patin
478	G07812009	G07812009	28	Spring disc
479	G07906004	E08659	34	Self-locking hex nut (2 Stk.)
480	G90180003	G90180003	28	Flail blade with fastening part
481	G90423001	G90423001	1	Shaft with 28 flail set
482	G90420072	G90420072	1	Hex bold
483	G90420054	G90420054	1	Flange
484	G07830052	E12740	2	Ball bearing
485	G07823006	E03102	1	Circlip for drilled hole (2 Stk.)
486	G90420053	G90420053	1	Flange
487	G00009199	G00009199	4	Locking screw
488	G90426035	G90426035	8	Ejector rubber
499	G00002084	G00002084	2	Draw spring
578	G07928002	E10618	2	Tensioning pulley (4 Stk.)
611	G90480004	G90480004	1	Flail set AS1040; AS1020

Proposal for wear parts list

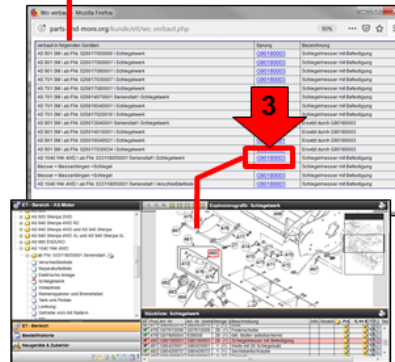
Pos	Art.-Nr.	Art.-Nr. (bisher)	Menge (min.)	Beschreibung	Info	Modell	Preis	% => €	Tech-Info
1	G90180003	G90180003	28 (1)	Schliessmesser mit Befestigung					bearbeiten
2	G07857057	G07857057	1 (1)	Keilriemen					bearbeiten
3	G07857056	G07857056	1 (1)	Keilriemen					bearbeiten
4	G07857035	E08304	1 (1)	Hochleistungskeilriemen					bearbeiten
5	G90434006	G90434008	1 (1)	Bremsbelaghalter mit Bremsbelag					bearbeiten
6	G00041054	E12381	1 (10)	2xSL Kanister Öl Titan Supersyn SAE5W-50					bearbeiten
7	G00006067	G00006067	1 (1)	O-Ring					bearbeiten
8	G06990016	E11741	1 (1)	Dichtscheibe 10					bearbeiten
9	G06980002	E11530	1 (1)	Ölfilter+Deckel+Dichtungen					bearbeiten
10	G00006066	G00006066	1 (1)	O-Ring					bearbeiten

1 → Alle Artikel in den Warenkorb legen / Put all items in the cart / Mettre tous les articles dans le panier / Pon todos los artículos en el carrito / Поместить все запасные части в корзину

Bei Bedarf Artikel in der Zeichnung ansehen / If necessary, see the article in the drawing / Si nécessaire, regarder l'article dans l'éclaté / Si es necesario, ver el artículo en el dibujo / При необходимости см. запасную часть на чертеже:

2 → Klick auf Fernglas / Click on binoculars / Cliquez sur les jumelles / Haga clic en binoculares / Нажмите на бинокль

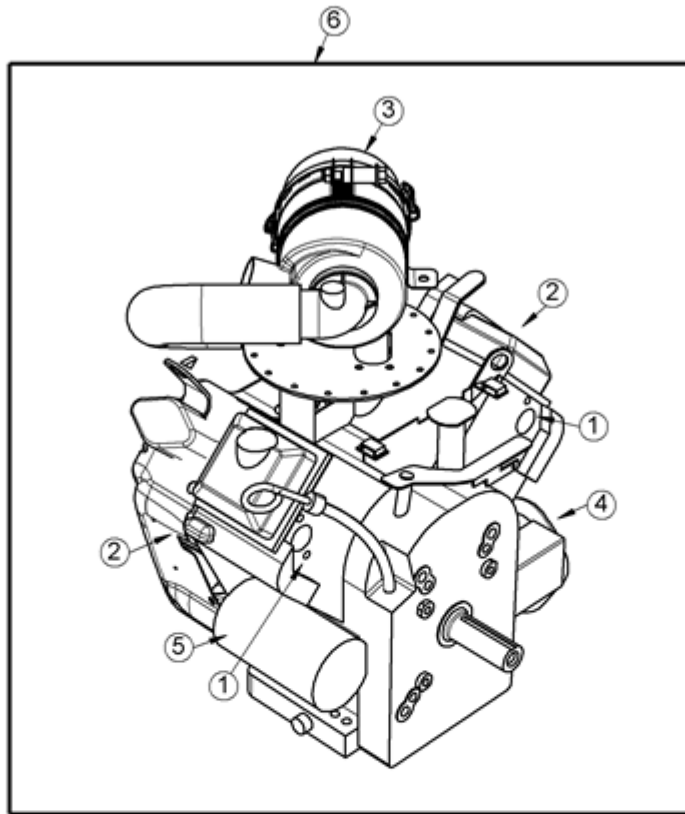
3 → Klick auf Artikel-Nummer bei Gerätemodell / Click on item number at according device model / Cliquez sur le numéro de pièce dans le modèle d'appareil / Haga clic en el número de artículo en el modelo de máquina / Нажмите на номер товара для модели устройства




Proposal for wear parts list

Item	Part-No.		Quantity	Description
1	G90180003	G90180003	28	Flail blade with fastening part
2	G07857057	G07857057	1	V-belt
3	G07857056	G07857056	1	V-belt
4	G07857035	E08304	1	High performance V-belt
5	G90434008	G90434008	1	Brake line holder with brake lining
6	G00041064	E12381	1	2x5 liter canister oil Titan Supersyn SA
7	G00006067	G00006067	1	O-ring
8	G06950016	E11741	1	Sealing disc 10
9	G06980002	E11530	1	Oil filter + cap + gaskets
10	G00006066	G00006066	1	O-ring
11	G90480004	G90480004	1	Flail set AS1040; AS1020

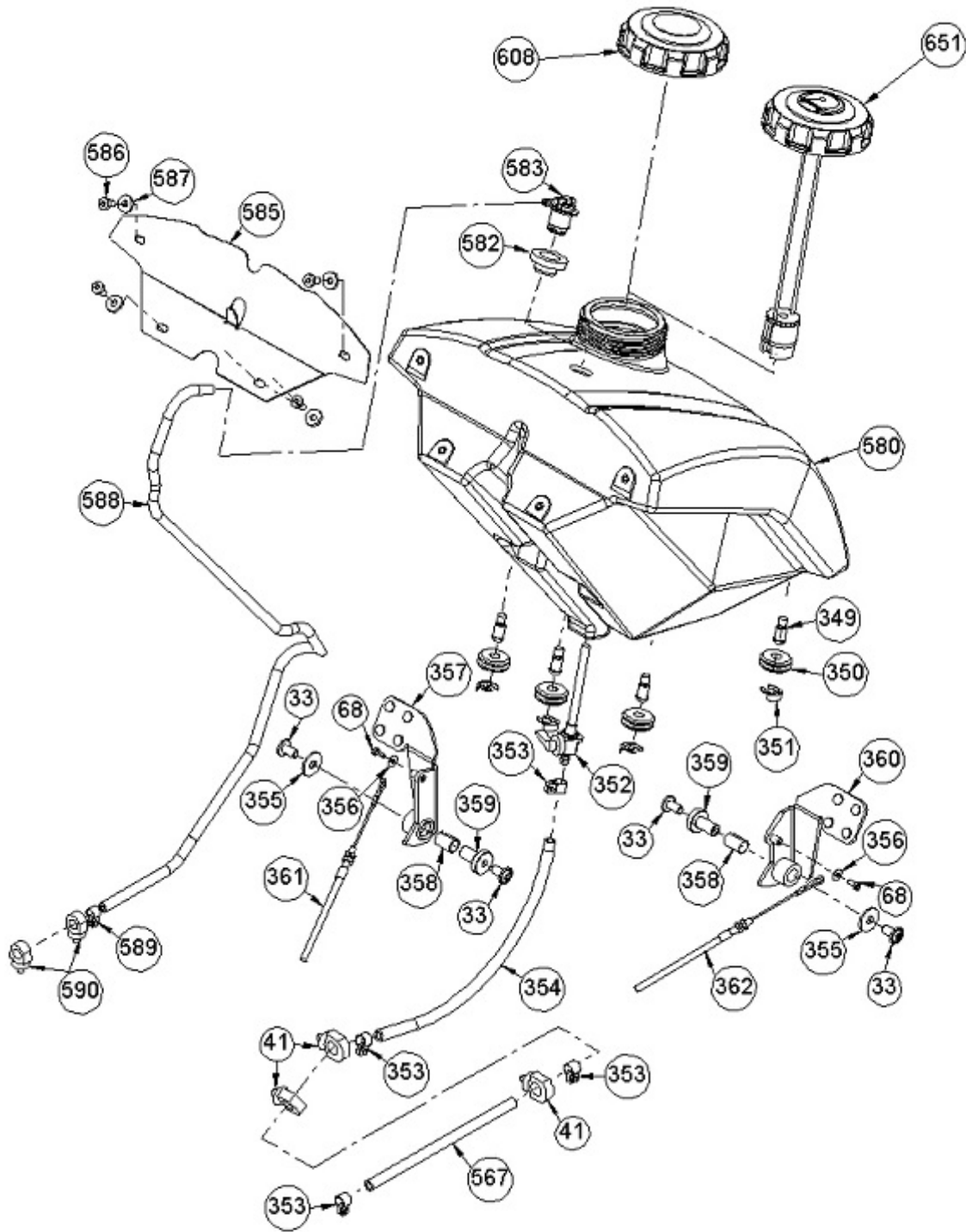
Engine 1



Engine 1

Item	Part-No.		Quantity	Description
1	G00550025	G00550025	2	Manifold gasket
2	G00550017	G00550017	2	Spark plug
3	G00550031	G00550031	1	Air filter
4	G00550023	G00550023	1	Oil filter
5	G00550042	G00550042	1	Electric starter
6	G00501044	G00501044	1	Replaced by G00580003
	G00580003	G00580003	1	ET-Motor B&S 23 VANGUARD

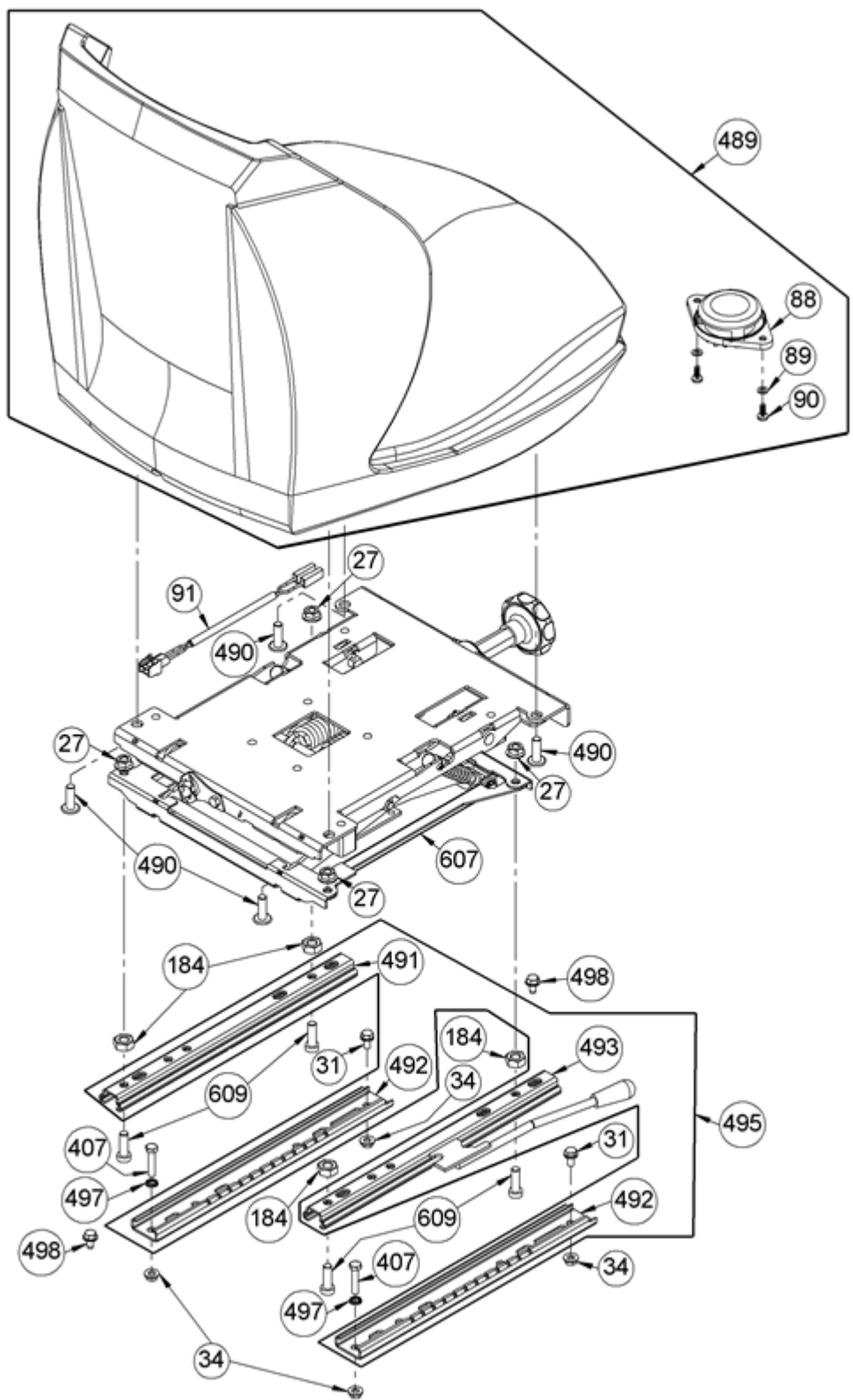
Tank and pedal



Tank and pedal

Item	Part-No.		Quantity	Description
33	G00009175	E12497	4	Dome head screw with Torx (2 Stk.)
41	G00026045	E11599	3	Cable holder Ø 15.5-Ø 18.6 mm
68	G07833029	E08544	2	Hexagon socket head cap screw (5 Stk.)
349	G00009154	E11597	4	Tank bolt
350	G00008145	E07287	4	Rubber bearing
351	G00027017	E08457	4	Anti-folding mechanism (5 Stk.)
352	G00022015	E11598	1	Fuel valve with gasket
353	G00034011	E03626	4	Hose clamp
354	G06906002	E11525	1	Fuel hose 1405 long
355	G07880006	E03957	2	Disc (20 Stk.)
356	G07880005	E03948	2	Disc (20 Stk.)
357	G90422011	G90422011	1	Differential pedal total
358	G00028027	E06473	2	DU bush
359	G06525054	E07158	2	Tension lever bearing
360	G90434002	G90434002	1	Reset pedal for brake
361	G00020197	G00020197	1	Differential cable
362	G00020196	G00020196	1	Brake pedal cable
567	G90406004	G90406004	1	Fuel hose 410±5mm long
580	G90406001	G90406001	1	Fuel tank
582	G00022027	G00022027	1	Spout for tank vent valve
583	G00022028	G00022028	1	Tank venting valve
585	G90406006	G90406006	1	Tank plate
586	G00009083	E06753	4	Rounded head screw with inside Torx (2 S
587	G07902005	G07902005	4	Disc (10 Stk.)
588	G00046018	G00046018	1	Ventilation hose
589	G00034033	G00034033	1	Hose clamp 11/9
590	G00026049	G00026049	2	Cable holder
608	G90406008	G90406008	1	Fuel Cap 3 1/2"
651	G90406007	G90406007	1	Tank cap with gauge

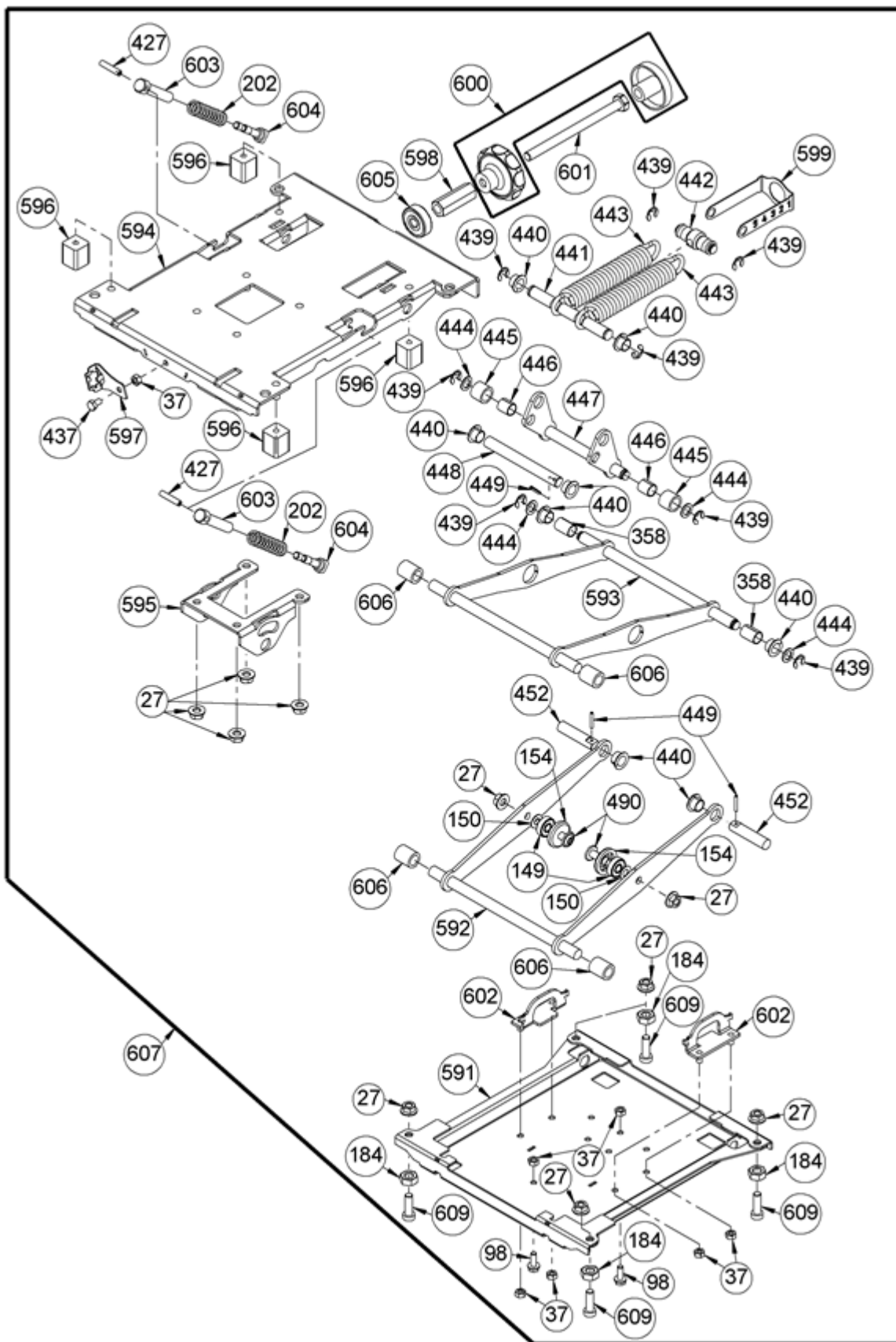
Seat



Seat

Item	Part-No.		Quantity	Description
27	G00007042	E06037	4	Selflocking nut with serrated bearing (3
31	G00009016	E04631	2	Hexagon screw with serration (5 Stk.)
34	G00007041	E05975	4	Selflocking nut with serrated bearing (5
88	G06650532	E08160	1	Seat contact switch
89	G07809007	E01949	2	Disc (20 Stk.)
90	G07875018	E07950	2	Raised cross-head sheet metal screw (5 S
91	G90427005	G90427005	1	Seat switch cable
184	G07839008	E01953	4	Hex nut (10 Stk.)
407	G07838027	E03933	2	Hexagon screw (10 Stk.)
489	G06920073	E11660	1	Seat + switch without rails
490	G00009196	G00009196	4	Raised-head shouldered screw
491	G06920085	E11661	1	Inside rail
492	G06920087	E11663	2	Outside rail
493	G06920084	E11662	1	Rail with adjusting lever
495	G06920083	E11781	1	Adjusting rails (1 set)
497	G00042006	E05862	2	Detent edge disc (5 Stk.)
498	G07890025	E06093	1	Flanged self-tapping screw (2 Stk.)
607	G90480003	G90480003	1	Seat suspension total
609	G00009043	E05833	4	Cylinder screw (4 Stk.)

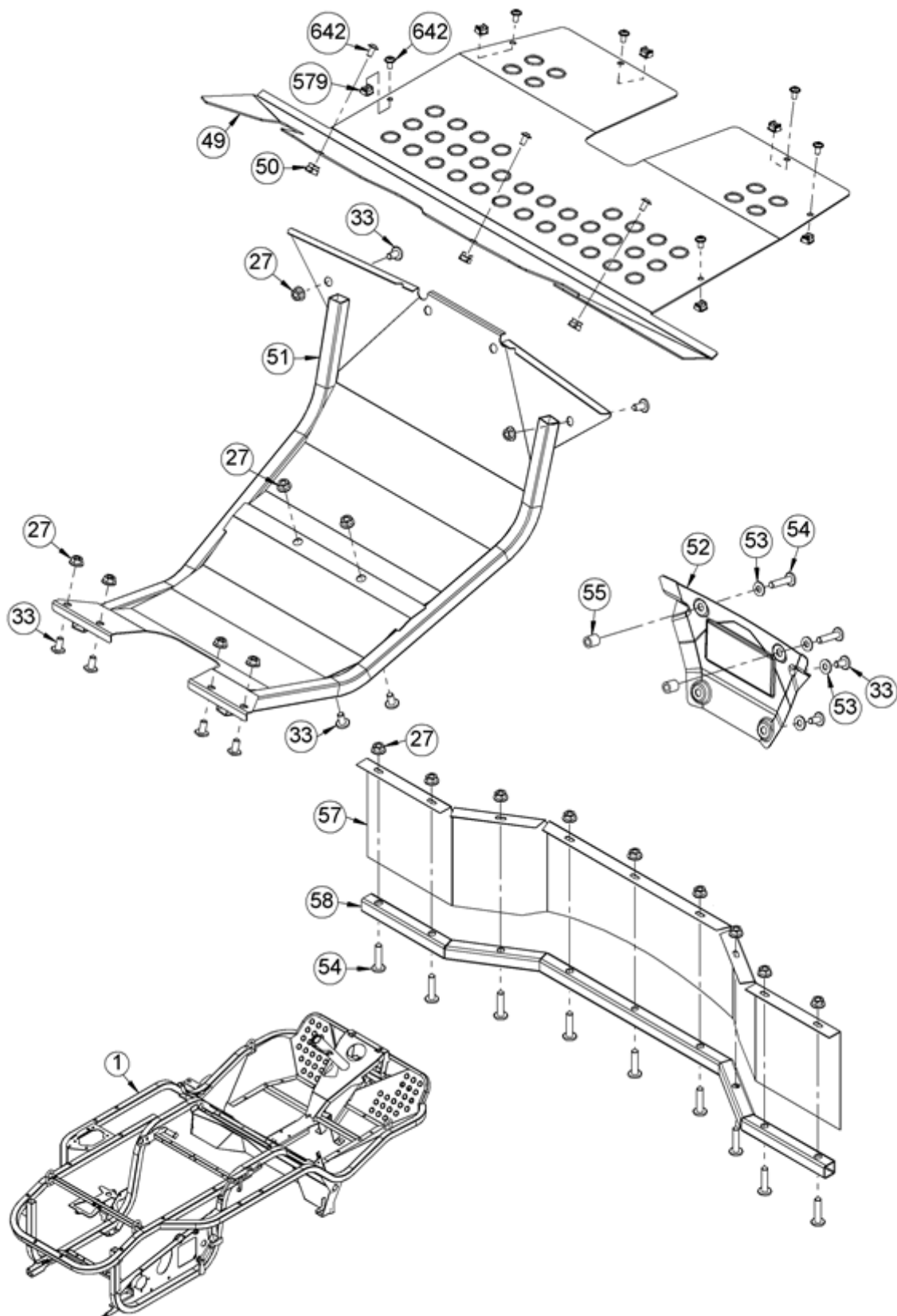
Seat suspension



Seat suspension

Item	Part-No.		Quantity	Description
27	G00007042	E06037	10	Selflocking nut with serrated bearing (3
37	G07839014	E03915	7	Hex nut (20 Stk.)
98	G00009094	E07247	2	Locking screw (2 Stk.)
149	G07830055	G07830055	2	Deep groove ball bearing
150	G07856010	E04337	2	Disc spring (5 Stk.)
202	G00001097	G00001097	2	Pressure spring
154	G06822031	E08449	2	Bearing washer
184	G07839008	E01953	4	Hex nut (10 Stk.)
358	G00028027	E06473	2	DU bush
427	G07853035	E06617	2	Spring pin (2 Stk.)
437	G07838017	E03262	1	Hexagon screw (10 Stk.)
439	G07864002	E03136	8	Lock washer (20 Stk.)
440	G00028026	E06508	8	DU flanged bush
441	G06920054	E11652	1	Spring bolt
442	G06920060	E11656	1	Draw spring bolt
443	G00002068	E11650	2	Draw spring
444	G07847008	E02649	4	Supporting disc (5 Stk.)
445	G90420077	G90420077	2	Role
446	G00028075	G00028075	2	DU bush
447	G06920052	E11651	1	Spring lever
448	G06920058	E11654	1	Joint bolt long
449	G07853002	E01974	3	Spring pin (20 Stk.)
452	G06920055	E11653	2	Joint bolt short
490	G00009196	G00009196	2	Raised-head shouldered screw
591	G90420084	G90420084	1	Plate bottom
592	G90420092	G90420092	1	Lever outer
593	G90420089	G90420089	1	Lever inner
594	G90420086	G90420086	1	Plate top
595	G90420087	G90420087	1	Spring bracket
596	G90420083	G90420083	4	Damper
597	G90420096	G90420096	1	Cable holder
598	G00007092	G00007092	1	Connection nut
599	G90420088	G90420088	1	Scale
600	G00009158	E11658	1	Star knob screw
601	G07838094	G07838094	1	Hexagon screw
602	G90420097	G90420097	2	Angle
603	G90420094	G90420094	2	Sleeve
604	G90420093	G90420093	2	Spring bolt
605	G07830012	E04329	1	Deep groove ball bearing
606	G00028077	G00028077	4	Friction bearing
607	G90480003	G90480003	1	Seat suspension total
609	G00009043	E05833	4	Cylinder screw (4 Stk.)

Covers front



Covers front

Item	Part-No.		Quantity	Description
1	G90420036	G90420036	1	Frame AS 1040
27	G00007042	E06037	17	Selflocking nut with serrated bearing (3
33	G00009175	E12497	9	Dome head screw with Torx (2 Stk.)
49	G90426048	G90426048	1	Bottom plate
50	G00007057	E08437	3	Box nut (5 Stk.)
51	G90426003	G90426003	1	Front guard
52	G90428002	G90428002	1	Covering
53	G07926001	E08403	4	Disc (4 Stk.)
54	G00009069	E06613	13	Raised-head shouldered screw (2 Stk.)
55	G00024066	G00024066	2	Sleeve
57	G90426036	G90426036	1	Protection skirt
58	G90426050	G90426050	1	Protection skirt tube
579	G00007055	E08289	6	Box nut (5 Stk.)
642	G00009215	G00009215	9	Dome head screw with Torx

