

Print spare parts list

Ersatzteile

AS 901 SM

- from serial No. 026020080001

Seriennummer, Сериен номер, Sériové číslo, Serial number, Número de serie, Sarjanumero, Numéro de série, Serijski broj, Sorozatszám, Numero di serie, Serijos numeris, Seriennummer, Numer seryjny, Serijska številka

DE Hier Aufkleber aus Garantiekarte aufkleben.
BG Залепете тук стикери от гаранционната Карта.
CZ Sem nalepte nálepku ze záručního listu.
DK Her skal maerkaten fra garantikortet klaebes på.
GB Please adhere the sticker from the warranty card here.
ES Pegar aquí el adhesivo de la tarjeta de garantía.
FI Liimaa takuukortin tarra tähän.
FR Collez ici l'autocollant placé sur la carte de garantie .
HR Ovdje zalijepite naljepnicu iz jamstvenog lista.

HU Ide ragassza a matricát a garanciakártyából.
IT Applicare qui l'etichetta, come scheda di garanzia.
LT Čia užklijuokite garantijos pase pateiktą lipduką.
NL Plak hier sticker uit garantiekaart.
NO Lim klistremerke fra garantikortet inn her.
PL Tutaj nakleić naklejkę na kartę gwarancyjną.
SL Tukaj nalepite nalepko z garancijskega lista.
SE Klistra fast etiketten från garantikortet här.

Ab Serien Nr.: from serial No. 026020080001

Ausgabe: 13.09.2024, EN

AS-Motor GmbH
Eilwanger Straße 15
D-74424 Bühlertann
Telefon 07973-9123-0
Telefax 07973-9123-259
www.as-motor.de

If you need spare parts:

1. Send your order to your AS-Motor dealer.
2. In order to get you the right spare part he needs:

- **Model name (s. sticker on the machine)**
- **Serial No. of machine (sticker or S/N lable)**
- **Articlenumber**
- **Your dealer orders part in our online system parts and more.**

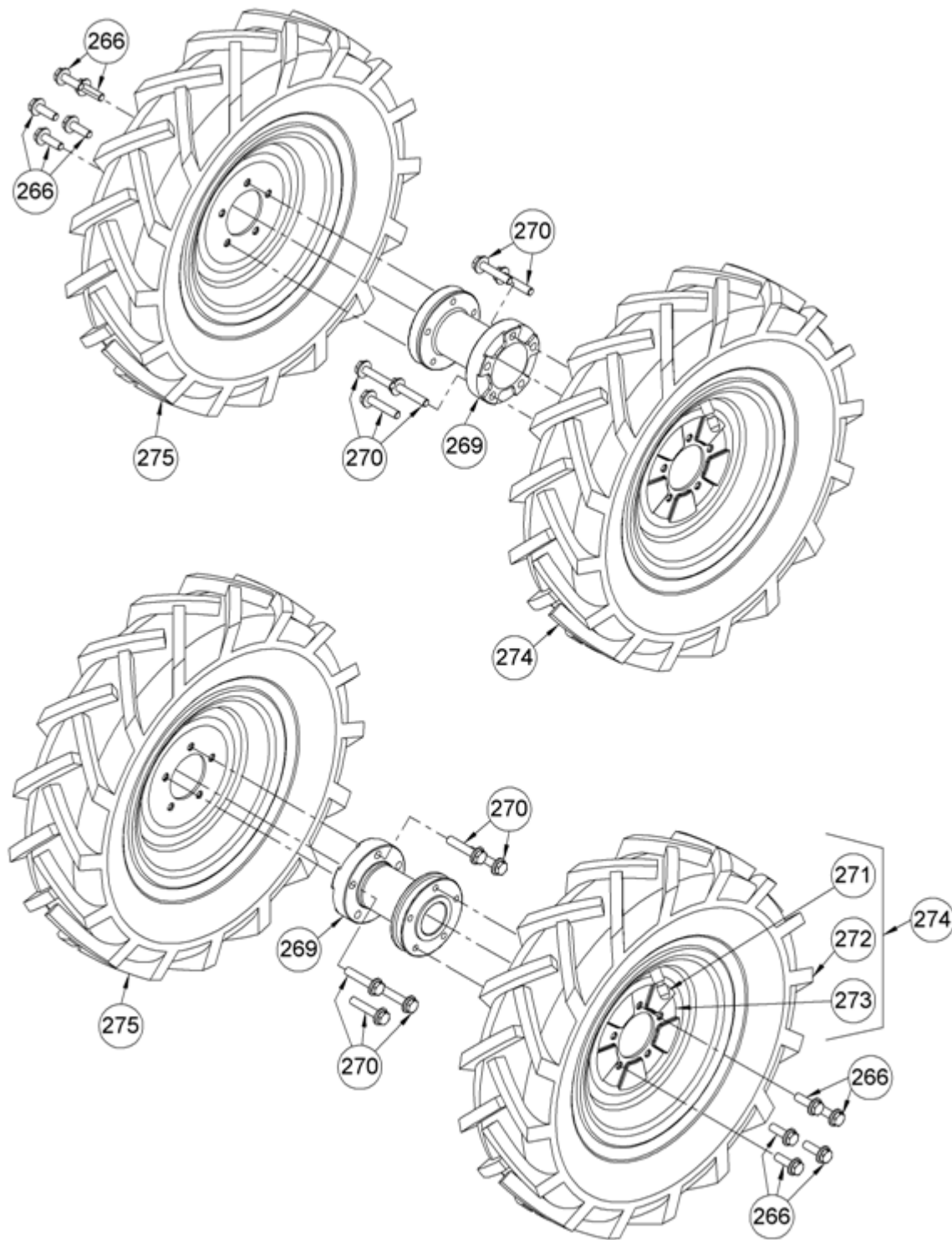
Only in this case you receive all important information about proper spare parts and possible technical changes.

Please fulfil only maintenance tasks mentioned in the owner manual by yourself. All other tasks have to be done by authorised AS-Motor dealer.

Subject to change without notice.

Images may show differences from the machines in production.

Wheels

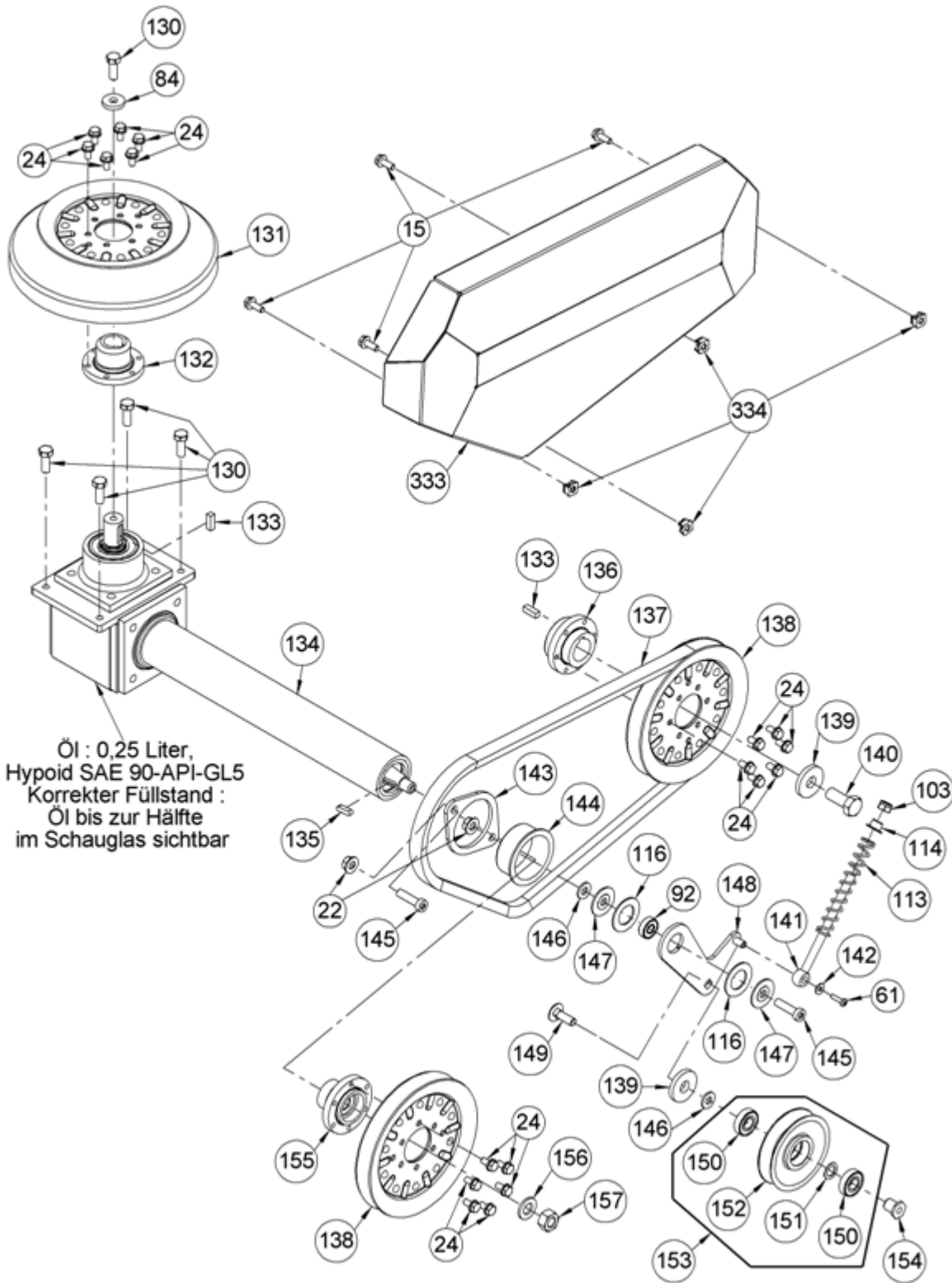


**Antriebsräder
AS 901 SM**

Wheels

Item	Part-No.		Quantity	Description
266	G00009085	E06761	10	Hexagon screw (2 Stk.)
269	G06721008	E07949	2	Wheel hub
270	G00009086	E06762	10	Hexagon screw
271	G06321027	E06327	4	Tube 400-8
272	G06350089	E06568	4	Replaced by G06950070
38	G06950070	G06950070	4	Cover TL for wheel
273	G06350099	E06569	4	Replaced by G06950067
38	G06950067	G06950067	4	Rim
274	G06321026	E06196	2	Profile wheel right 4.80/4.00-8
275	G06321022	E06159	2	Profile wheel left 4.80/4.00-8

Angle drive



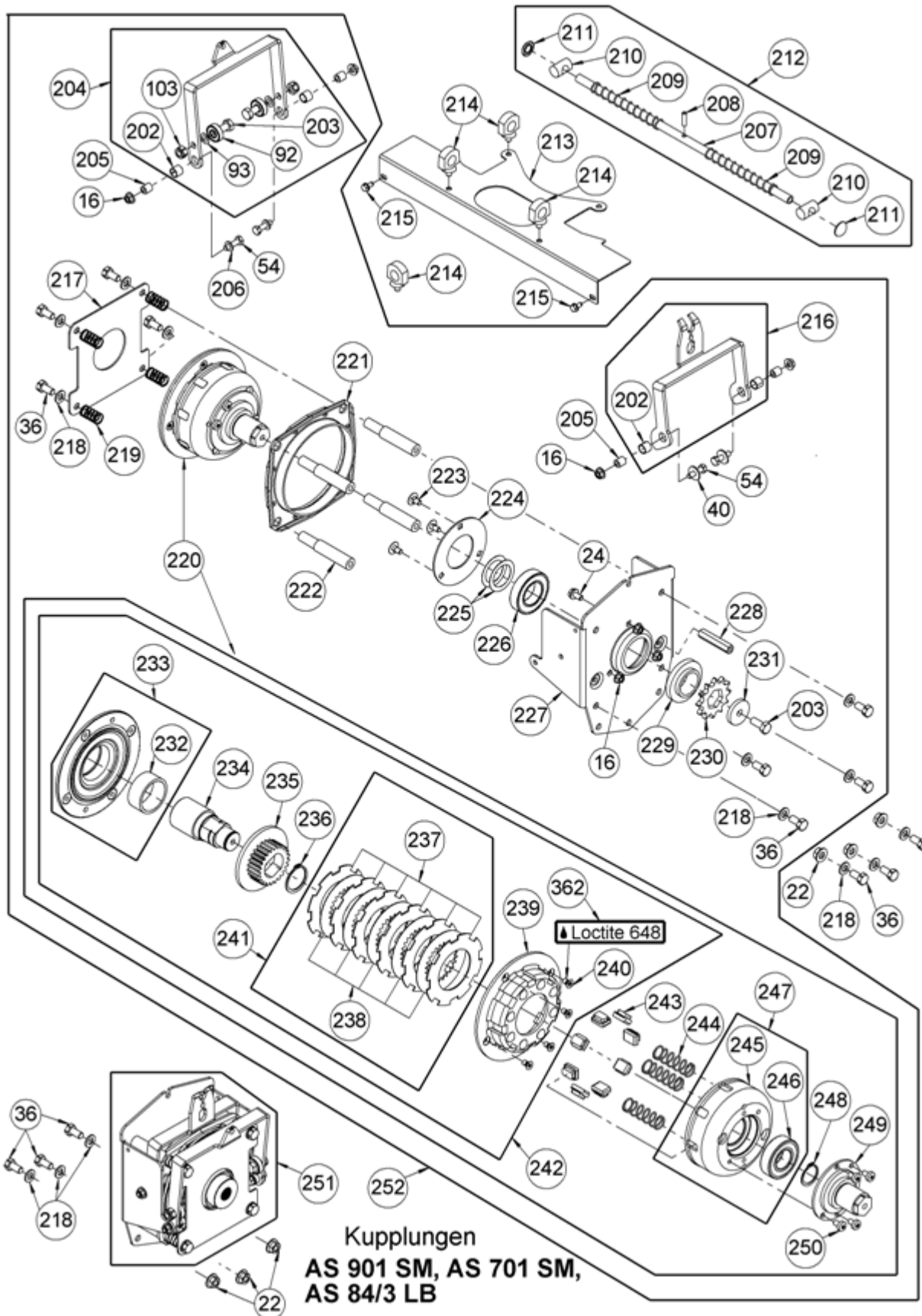
Öl : 0,25 Liter,
 Hypoid SAE 90-API-GL5
 Korrekter Füllstand :
 Öl bis zur Hälfte
 im Schauglas sichtbar

**Winkeltrieb
 AS 901 SM**

Angle drive

Item	Part-No.		Quantity	Description
15	G00009094	E07247	4	Locking screw (2 Stk.)
22	G00007042	E06037	2	Selflocking nut with serrated bearing (3
24	G00009016	E04631	18	Hexagon screw with serration (5 Stk.)
61	G07878011	E05900	1	Raised cross-head screw (5 Stk.)
84	G07861006	E07940	1	Disc
92	G07830031	E07211	1	Deep groove ball bearing
103	G07846001	E01912	1	Self-locking hex nut (10 Stk.)
113	G00001083	E08389	1	Pressure spring
114	G00028042	E08662	1	Collar bush
116	G00010137	E13008	2	Thrust washer
130	G07838047	E05320	5	Hexagon screw (10 Stk.)
131	G90125006	E12738	1	Brake drum
132	G90125003	E12737	1	Belt pulley hub
133	G07865019	E07723	2	Feather key (4 Stk.)
134	G90130005	E12767	1	Angle transmission
135	G07865028	E11378	1	Feather key (10 Stk.)
136	G90125020	E13078	1	Belt pulley hub
137	G07857051	E12781	1	V-belt
138	G06725045	E08058	1	Belt pulley dw 145
139	G07861004	E07213	2	Disc (2 Stk.)
140	G07838057	E08793	1	Hexagon screw
141	G07820004	E10120	1	Eye bolt
142	G07880005	E03948	1	Disc (20 Stk.)
143	G90120030	E13020	1	Bearing ring
144	G00028066	E13022	1	Friction bearing with collar
145	G00009082	E06651	2	Inside Torx screw (2 Stk.)
146	G07926001	E08403	2	Disc (4 Stk.)
147	G00010130	E11606	2	Special disc
148	G90125010	E13017	1	Belt tensioner
149	G07827009	E05869	1	Mushroom head square neck bolt (3 Stk.)
150	G07830035	E07934	2	Deep groove ball bearing
151	G07847010	E03113	1	Shim (10 Stk.)
152	G06725011	E07265	1	Tension pulley
153	G06725043	E07942	1	Tension pulley with ball bearing
154	G06725027	E07712	1	Sleeve
155	G90125001	E12735	1	Belt pulley hub
156	G07809011	E03919	1	Disc (10 Stk.)
157	G07839015	E03921	1	Hex nut (4 Stk.)
333	G90126011	E13021	1	Side cover
334	G00007055	E08289	4	Box nut (5 Stk.)

Clutches



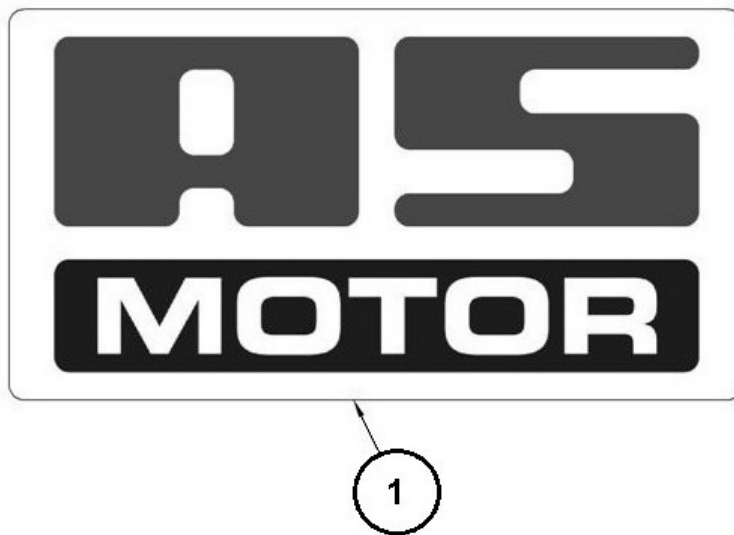
Clutches

Item	Part-No.		Quantity	Description
16	G00007041	E05975	14	Selflocking nut with serrated bearing (5
22	G00007042	E06037	6	Selflocking nut with serrated bearing (3
24	G00009016	E04631	2	Hexagon screw with serration (5 Stk.)
36	G07838026	E03932	22	Hexagon screw (10 Stk.)
40	G07880004	E03914	4	Disc (20 Stk.)
54	G07838019	E03886	8	Hexagon screw (10 Stk.)
92	G07830031	E07211	4	Deep groove ball bearing
93	G07847036	E05984	4	Shim (10 Stk.)
103	G07846001	E01912	4	Self-locking hex nut (10 Stk.)
202	G00028019	E06539	4	DU bush
203	G07838028	E03938	6	Hexagon screw (10 Stk.)
204	G06534034	E07231	2	Actuating plate total
205	G00024025	E07190	8	Sleeve
206	G07809006	E01940	4	Disc (10 Stk.)
207	G06534011	E07166	1	Feather mandrel
208	G07853025	E04999	1	Spring pin (5 Stk.)
209	G00001080	E07243	2	Pressure spring
210	G06534009	E07187	2	Spring bearing
211	G00027010	E04981	2	Shaft locking clip with cap (2 Stk.)
212	G06534035	E08337	1	Feather mandrel total
213	G90126015	E13030	1	Transmission protection cover
214	G00026045	E11599	4	Cable holder Ø 15.5-Ø 18.6 mm
215	G07890003	E04576	2	Flanged self-tapping screw (3 Stk.)
216	G06534027	E07230	1	Brake plate total
217	G06534019	E07185	2	Base plate
218	G07809004	E01905	22	Disc (20 Stk.)
219	G00001066	E05849	8	Pressure spring (4 Stk.)
220	G06534033	E07963	2	Clutch basket total
221	G06534023	E07205	2	Brake plate total
222	G06534008	E07179	8	Fixing bolts
223	G07827008	E04991	6	Mushroom head square neck bolt (3 Stk.)
224	G06525060	E07182	2	Disc
225	G07847045	E07224	4	Shim (5 Stk.)
226	G07830028	E06855	2	Deep groove ball bearing
227	G06534013	E07242	2	Clutch bearing
228	G06526002	E06726	2	Connection nut
229	G06525053	E07157	2	Chain pinion ring
230	G06525007	E06427	2	Chain wheel 12 teeth
231	G00010133	E12385	2	Disc
232	G00028018	E05839	2	Friction bearing
233	G00108023	E07206	2	Bearing washer with friction bearing
234	G06534010	E07165	2	Clutch hub
235	G00108032	E06310	2	Clutch flange
236	G07822010	E06311	2	Circlip for shaft (2 Stk.)
237	G00108018	E05841	12	Outer lamellas (6 Stk.)
238	G00108033	E06312	10	Inner lamella (5 Stk.)
239	G00108013	E05843	2	Clutch basket

Clutches Page 2

Item	Part-No.		Quantity	Description
240	G07844004	E05845	8	Countersunk screw with inside Torx (4 St
241	G00180031	E06313	2	Set of lamellas
242	G06534032	E07961	2	Clutch basket complete
243	G00108010	E05844	16	Carrier piece (8 Stk.)
244	G00001067	E05846	6	Pressure spring (6 Stk.)
245	G06534015	E07892	2	Clutch housing
246	G07830015	E08351	2	Deep groove ball bearing
247	G06534025	E07207	2	Clutch housing with ball bearing
248	G07822001	E02116	2	Circlip for shaft (5 Stk.)
249	G06534014	E07171	2	Pinion flange
250	G00009038	E05720	8	Screw with Torx (3 Stk.)
251	G06534031	E07965	1	Clutch left total
252	G06534030	E07968	1	Clutch right total
362	G00041013	E06078	1	LOCTITE 648 (50 ml)

Instruction plate - set

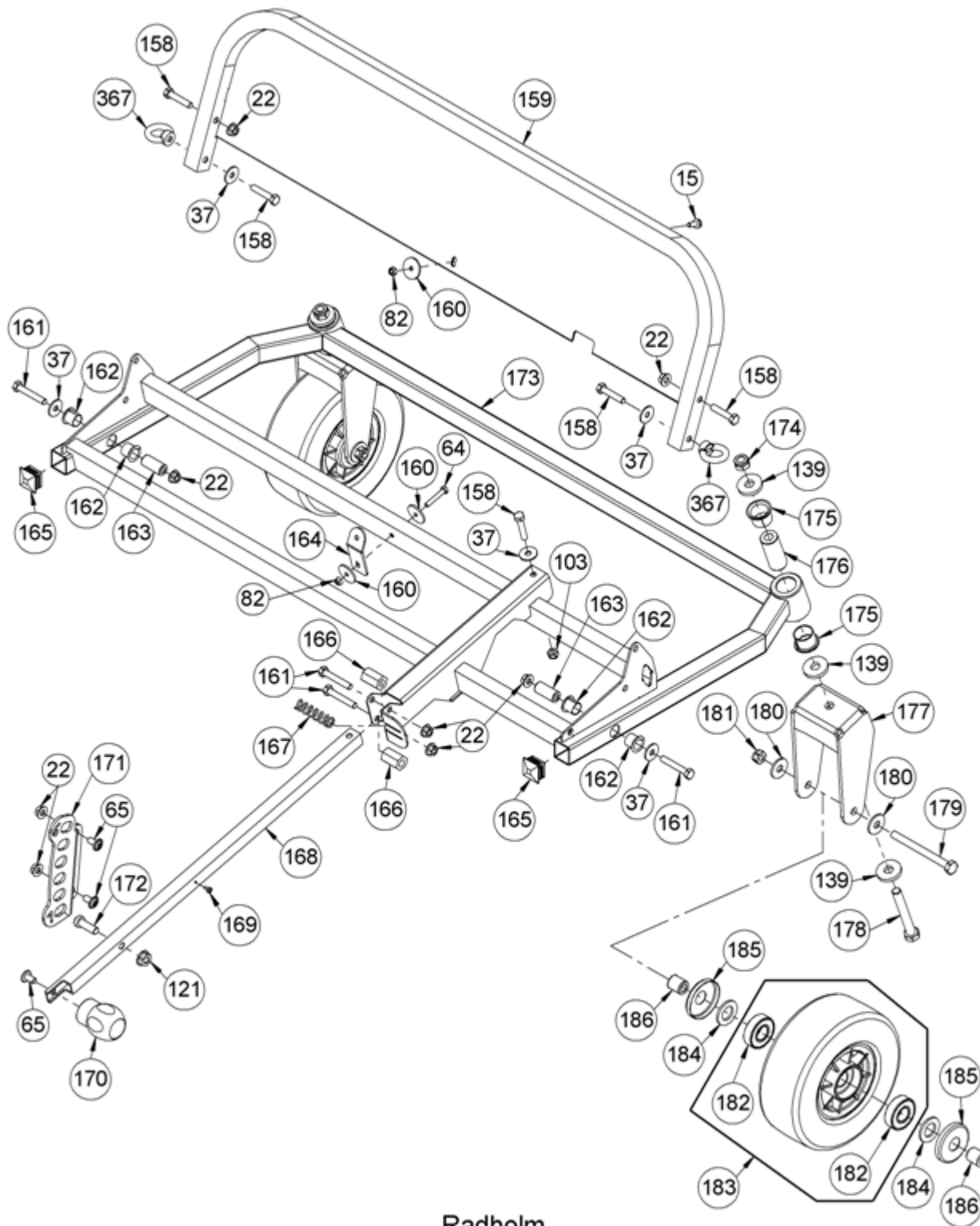


Pos.-Nr.	Artikelnummer	Benennung
1	G90180002	Aufkleber - Set AS 701 und AS 901

Instruction plate - set

Item	Part-No.		Quantity	Description
1	G90180002	G90180002	1	Instruction plate-set AS701+AS901

Front wheel arbor

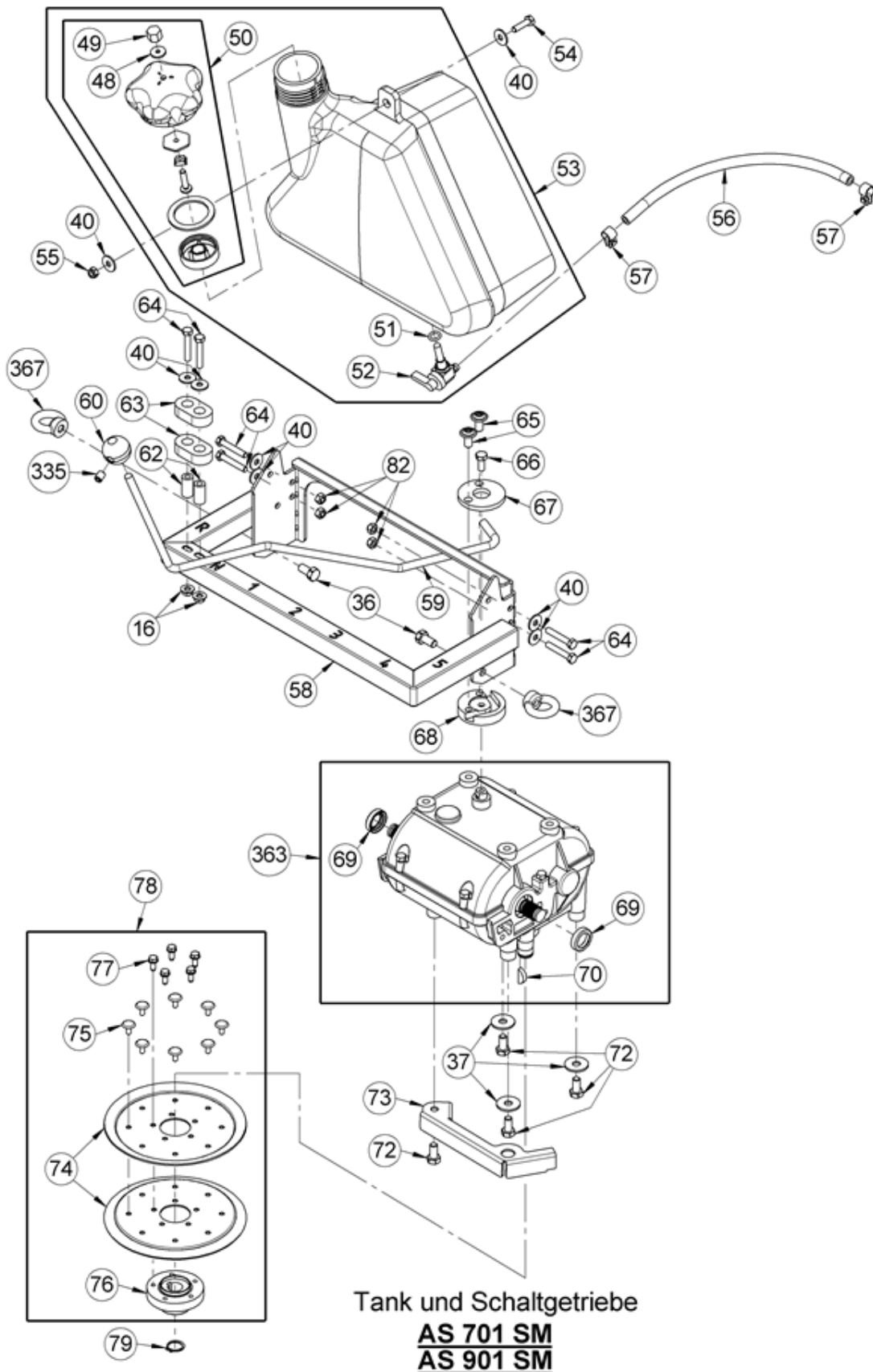


**Radholm
AS 901 SM**

Front wheel arbor

Item	Part-No.		Quantity	Description
15	G00009094	E07247	1	Locking screw (2 Stk.)
22	G00007042	E06037	8	Selflocking nut with serrated bearing (3
37	G07880006	E03957	5	Disc (20 Stk.)
64	G07837024	E04058	1	Hexagon screw (10 Stk.)
65	G00009175	E12497	3	Dome head screw with Torx (2 Stk.)
82	G07906002	E06667	2	Self-locking hex nut (10 Stk.)
103	G07846001	E01912	1	Self-locking hex nut (10 Stk.)
121	G00007051	E07668	1	Locknut (2 Stk.)
139	G07861004	E07213	6	Disc (2 Stk.)
158	G07837016	E03901	5	Hexagon screw (5 Stk.)
159	G90126007	E12995	1	Protective wall
160	G00010101	E07113	3	Disc (2 Stk.)
161	G07837020	E03924	4	Hexagon screw (4 Stk.)
162	G00028025	E06504	4	DU flanged bush (4 Stk.)
163	G06922013	E11617	2	Lift bolts
164	G90126014	E13018	1	Protection wall angle
165	G00029022	E10598	2	Sight plug (2 Stk.)
166	G00007076	E11707	2	Connection nut (2 Stk.)
167	G00001088	E10502	1	Pressure spring
168	G90122009	E12780	1	Adjustment rod
169	G07890028	E06594	1	Self-tapping screw (5 Stk.)
170	G00008143	E11628	1	Ball handle
171	G90122010	E13001	1	Index bar
172	G07910003	E11768	1	Hexagon socket head cap screw (5 Stk.)
173	G90122002	E12779	1	Wheel strut
174	G07846006	E01972	2	Self-locking hex nut (2 Stk.)
175	G00028030	E07204	4	DU flanged bush
176	G06522323	E07173	2	Wheel fork bolt
177	G90122016	E13079	2	Wheel fork
178	G07837065	E07226	2	Hexagon screw
179	G07837053	E06730	2	Hexagon screw (2 Stk.)
180	G07880001	E01980	4	Disc (10 Stk.)
181	G07846005	E01968	2	Self-locking hex nut (10 Stk.)
182	G07830019	E04737	4	Deep groove ball bearing
183	G90121007	E13080	2	Wheel
184	G07809015	E11515	4	Disc (5 Stk.)
185	G90121008	E13081	4	Covering cap
186	G90121009	E13084	4	Sleeve
367	G07887001	E04074	2	Ring nut

Tank and transmission



Tank and transmission

Item	Part-No.		Quantity	Description
16	G00007041	E05975	2	Selflocking nut with serrated bearing (5
37	G07880006	E03957	3	Disc (20 Stk.)
36	G07838026	E03932	2	Hexagon screw (10 Stk.)
40	G07880004	E03914	8	Disc (20 Stk.)
48	G00019051	E05246	1	Sealing disc (5 Stk.)
49	G00007033	E05247	1	Hexagon cap nut
50	G06306007	E04783	1	Tank cap total
51	G00006032	E02412	1	O-ring (2 Stk.)
52	G00022013	E06701	1	Replaced by G00022026
52	G00022026	G00022026	1	Fuel valve
53	G06580008	E06490	1	Fuel tank total with cap
54	G07838019	E03886	1	Hexagon screw (10 Stk.)
55	G07918001	E07269	1	Self-locking hex nut (6 Stk.)
56	G06906002	E11525	1	Fuel hose 1405 long
57	G00034011	E03626	2	Hose clamp
58	G90122001	E13031	1	Tank strut
59	G90130001	E13026	1	Shift rod
60	G90130007	E13085	1	Switching handle
62	G00024006	E05722	2	Spacer sleeve
63	G90130006	E13037	2	Shift stop
64	G07837024	E04058	6	Hexagon screw (10 Stk.)
65	G00009175	E12497	2	Dome head screw with Torx (2 Stk.)
66	G00009061	E06679	1	Inch screw (5 Stk.)
67	G90130003	E13028	1	Disc
68	G90130002	E13027	1	Switching adapter
69	G07858020	E12227	2	Shaft seal ring
70	G07866004	E06682	1	Curved washer (3 Stk.)
72	G00009062	E06719	4	Inch screw (3 Stk.)
73	G90125019	E13044	1	Belt guide
74	G06125059	E05989	2	Belt pulley half Ø 150
75	G00012020	E06750	8	Blind rivet (3 Stk.)
76	G06530013	E07169	1	Belt pulley hub transmission
77	G07890004	E05828	5	Flanged self-tapping screw (3 Stk.)
78	G06530017	E08332	1	Belt pulley hub transmission total
79	G07822008	E04351	1	Circlip for shaft (20 Stk.)
82	G07906002	E06667	4	Self-locking hex nut (10 Stk.)
335	G07834004	E07057	1	Threaded pin (3 Stk.)
363	G06530032	G06530032	1	Transmission + seal
367	G07887001	E04074	2	Ring nut

Proposal repair parts list

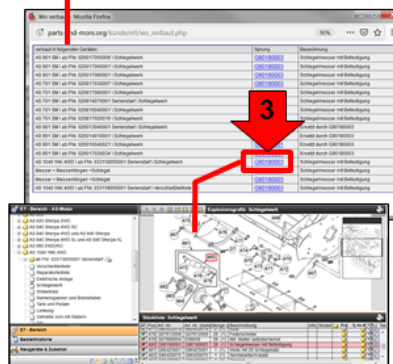
Pos	Art.-Nr.	Art.-Nr. (bisher)	Menge (min.)	Beschreibung	Info	Modell	Preis	% => €	Tech-Info
1	G90180003	G90180003	28 (1)	Schliessmesser mit Befestigung					bearbeiten
2	G07857057	G07857057	1 (1)	Keilriemen					bearbeiten
3	G07857056	G07857056	1 (1)	Keilriemen					bearbeiten
4	G07857035	E08304	1 (1)	Hochleistungskeilriemen					bearbeiten
5	G90434006	G90434008	1 (1)	Bremsbelaghalter mit Bremsbelag					bearbeiten
6	G00041054	E12381	1 (10)	2x5L Kanister Öl Titan Supersyn SAE5W-50					bearbeiten
7	G00006067	G00006067	1 (1)	O-Ring					bearbeiten
8	G06990016	E11741	1 (1)	Dichtscheibe 10					bearbeiten
9	G06980002	E11530	1 (1)	Ölfilter+Deckel+Dichtungen					bearbeiten
10	G00006066	G00006066	1 (1)	O-Ring					bearbeiten

1 → Alle Artikel in den Warenkorb legen / Put all items in the cart / Mettre tous les articles dans le panier / Pon todos los artículos en el carrito / Поместить все запасные части в корзину



Bei Bedarf Artikel in der Zeichnung ansehen / If necessary, see the article in the drawing / Si nécessaire, regarder l'article dans l'éclaté / Si es necesario, ver el artículo en el dibujo / При необходимости см. запасную часть на чертеже:

2 → Klick auf Fernglas / Click on binoculars / Cliquez sur les jumelles / Haga clic en binoculares / Нажмите на бинокль

3 → Klick auf Artikel-Nummer bei Gerätemodell / Click on item number at according device model / Cliquez sur le numéro de pièce dans le modèle d'appareil / Haga clic en el número de artículo en el modelo de máquina / Нажмите на номер товара для модели устройства



Proposal repair parts list

Item	Part-No.		Quantity	Description
1	G00020115	E08016	1	Brake cable
2	G00020114	E08012	1	Drive cable top
3	G06522015	E06430	1	Replaced by G06580020
	G06580020	G06580020	1	Gas lever+bowden cable+handle+screws
4	G00020177	E13034	1	Blade clutch cable
5	G00008099	E06588	1	Self-aligning rubber
6	G06734001	E07699	1	Brake lever with lining and DU bush
7	G05851051	E12571	1	Replaced by G90126020
	G90126020	G90126020	1	Shuttle valve
8	G90126001	E12761	1	Half shuttle valve
9	G06580018	E10819	1	Chain 59 links with lock
10	G00008114	E08305	1	Handlebar grip (2 Stk.)
11	G00020093	E07272	1	Drive cable
12	G00008145	E07287	1	Rubber bearing
13	G90126012	E12763	1	Ejector rubber

Proposal for wear parts list

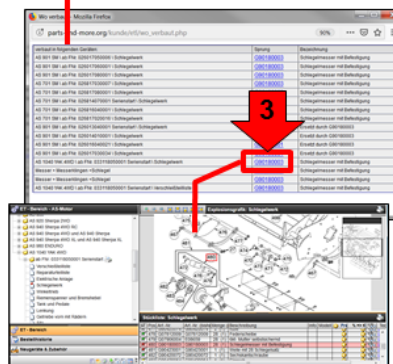
Pos	Art.-Nr.	Art.-Nr. (bisher)	Menge (min.)	Beschreibung	Info	Modell	Preis	% => €	Tech-Info
1	G90180003	G90180003	28 (1)	Schliessmesser mit Befestigung					bearbeiten
2	G07857057	G07857057	1 (1)	Keilriemen					bearbeiten
3	G07857056	G07857056	1 (1)	Keilriemen					bearbeiten
4	G07857035	E08304	1 (1)	Hochleistungskeilriemen					bearbeiten
5	G90434006	G90434008	1 (1)	Bremsbelaghalter mit Bremsbelag					bearbeiten
6	G00041054	E12381	1 (10)	2x5L Kanister Öl Titan Supersyn SAE5W-50					bearbeiten
7	G00006067	G00006067	1 (1)	O-Ring					bearbeiten
8	G06990016	E11741	1 (1)	Dichtscheibe 10					bearbeiten
9	G06980002	E11530	1 (1)	Ölfilter+Deckel+Dichtungen					bearbeiten
10	G00006066	G00006066	1 (1)	O-Ring					bearbeiten

1 → Alle Artikel in den Warenkorb legen / Put all items in the cart / Mettre tous les articles dans le panier / Pon todos los artículos en el carrito / Поместить все запасные части в корзину

Bei Bedarf Artikel in der Zeichnung ansehen / If necessary, see the article in the drawing / Si nécessaire, regarder l'article dans l'éclaté / Si es necesario, ver el artículo en el dibujo / При необходимости см. запасную часть на чертеже:

2 → Klick auf Fernglas / Click on binoculars / Cliquez sur les jumelles / Haga clic en binoculares / Нажмите на бинокль

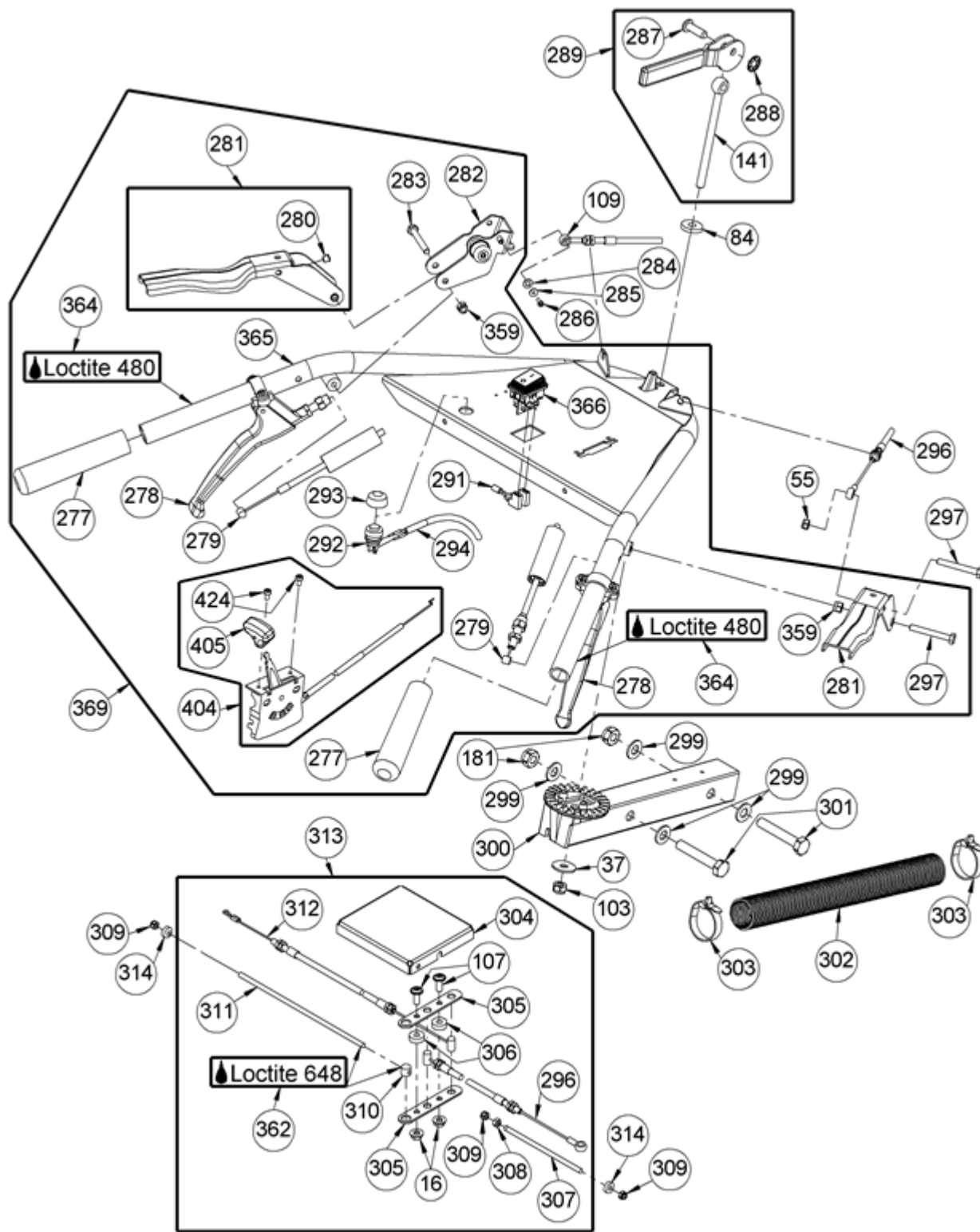
3 → Klick auf Artikel-Nummer bei Gerätemodell / Click on item number at according device model / Cliquez sur le numéro de pièce dans le modèle d'appareil / Haga clic en el número de artículo en el modelo de máquina / Нажмите на номер товара для модели устройства



Proposal for wear parts list

Item	Part-No.		Quantity	Description
1	G07857033	E08228	1	High performance V-belt
2	G04325080	E04829	1	V-belt
3	G07857051	E12781	1	V-belt
4	G90180003	G90180003	1	Flail blade with fastening part
5	G90180014	G90180014	1	Flail set AS 901 SM

Handlebar



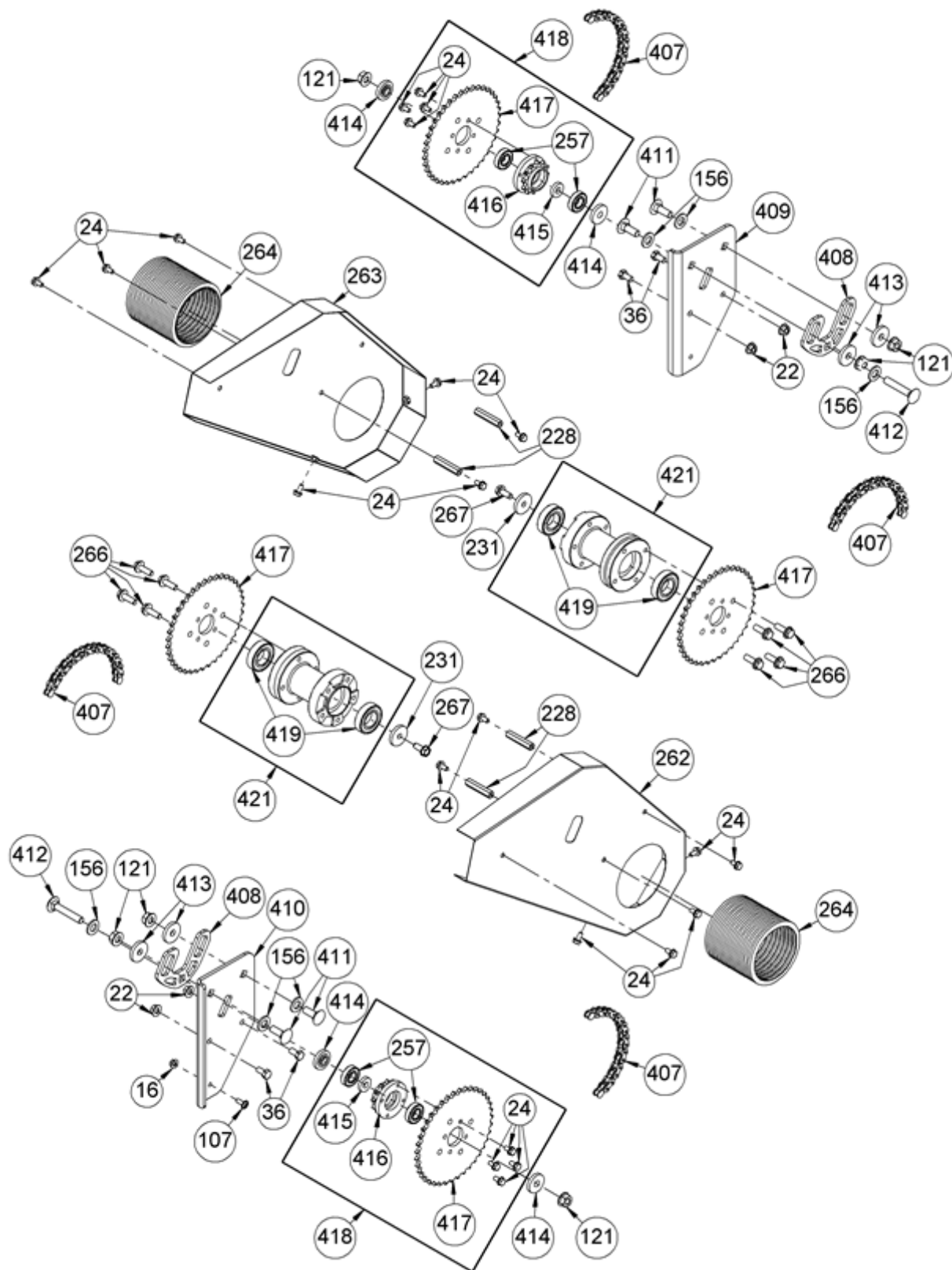
Handlebar

Item	Part-No.		Quantity	Description
16	G00007041	E05975	2	Selflocking nut with serrated bearing (5
37	G07880006	E03957	1	Disc (20 Stk.)
55	G07918001	E07269	3	Self-locking hex nut (6 Stk.)
84	G07861006	E07940	1	Disc
103	G07846001	E01912	1	Self-locking hex nut (10 Stk.)
107	G00009159	E11673	2	Dome head screw with Torx (10 Stk.)
109	G00020177	E13034	1	Blade clutch cable
141	G07820004	E10120	1	Eye bolt
181	G07846005	E01968	2	Self-locking hex nut (10 Stk.)
277	G00008114	E08305	2	Handlebar grip (2 Stk.)
278	G00017028	E07542	2	Betätigungshebel
279	G00020115	E08016	1	Brake cable
280	G00008086	E05973	2	Rubber buffer (2 Stk.)
281	G06780010	E08306	2	Hand lever with rubber buffer
282	G06522032	E08015	1	Notch lever total
283	G07838059	E06632	1	Hexagon screw
284	G07809003	E01181	1	Disc (20 Stk.)
285	G07880009	E07936	1	Disc (5 Stk.)
286	G07878017	E07937	1	Raised cross-head screw (5 Stk.)
287	G07886001	E04476	1	Bolt with head
288	G00027001	E04567	1	Shaft locking clip
289	G07322010	E10119	1	Eccentric lever with eyebolt
291	G06527001	E08345	1	Short circuit cable
292	G00017026	E06702	1	Pushbutton
293	G00008100	E06739	1	Round sealing cap
294	G00043012	E06703	1	Starting aid cable
296	G00020114	E08012	1	Drive cable top
297	G07837068	E07643	1	Hexagon screw (2 Stk.)
299	G07809008	E03668	4	Disc (5 Stk.)
300	G06522001	E06729	1	Intermediate strut total
301	G07837003	E01958	2	Hexagon screw (2 Stk.)
302	G00026030	E07952	1	Concertina hose
303	G00026004	E04391	2	Cable tape (2 Stk.)
304	G90122013	E13032	1	Base sheet
305	G90122014	E13033	2	Bowden cable plate
306	G00010104	E07523	2	Disc
307	G00009095	E07525	1	Threaded rod
308	G07839007	E01950	1	Hex nut (10 Stk.)
309	G07846002	E01932	3	Self-locking hex nut (5 Stk.)
310	G00007050	E07524	1	Joint nut
311	G00009096	E07526	1	Threaded rod
312	G00020093	E07272	1	Drive cable
313	G90122015	E13036	1	Drive cable total
314	G00010103	E07522	2	Spherical washer
359	G07846008	E03829	2	Self-locking hex nut (10 Stk.)
362	G00041013	E06078	1	LOCTITE 648 (50 ml)
364	G00041061	G00041061	1	Loctite 480 (100Gr.)

Handlebar Page 2

Item	Part-No.		Quantity	Description
365	G06522034	G06522034	1	Handlebar
366	G00047001	G00047001	1	Toggle switch
369	G06522037	G06522037	1	Handlebar total
404	G06580020	G06580020	1	Gas lever+bowden cable+handle+screws
405	G00008207	G00008207	1	Handle
424	G00009191	G00009191	2	Dome head screw with Torx

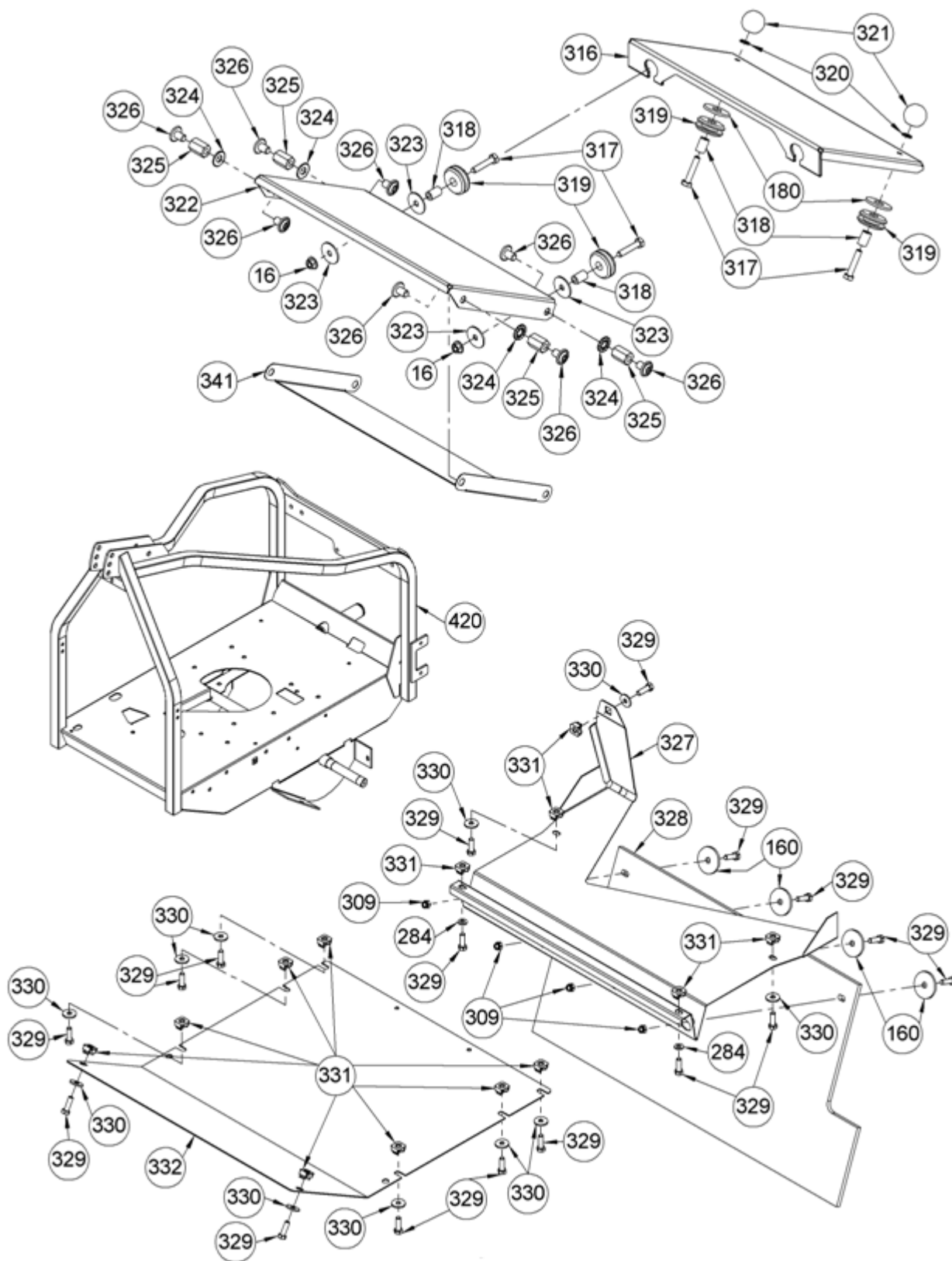
Chain drive



Chain drive

Item	Part-No.		Quantity	Description
16	G00007041	E05975	1	Selflocking nut with serrated bearing (5
22	G00007042	E06037	6	Selflocking nut with serrated bearing (3
24	G00009016	E04631	22	Hexagon screw with serration (5 Stk.)
36	G07838026	E03932	4	Hexagon screw (10 Stk.)
107	G00009159	E11673	1	Dome head screw with Torx (10 Stk.)
121	G00007051	E07668	6	Locknut (2 Stk.)
156	G07809011	E03919	6	Disc (10 Stk.)
228	G06526002	E06726	4	Connection nut
231	G00010133	E12385	2	Disc
257	G07830003	E02104	4	Deep groove ball bearing
262	G06526024	E07218	1	Chain cover right
263	G06526025	E07219	1	Chain cover left
264	G06526031	E08025	2	Protective sleeve
266	G00009085	E06761	8	Hexagon screw (2 Stk.)
267	G07890015	E06032	2	Flanged self-tapping screw (2 Stk.)
407	G06525069	G06525069	4	Chain 60 limbs
408	G06525072	G06525072	2	Pressure plate
409	G06525071	G06525071	1	Chain tension plate left
410	G06525070	G06525070	1	Chain tension plate right
411	G07827026	G07827026	4	Mushroom head square neck bolt
412	G07827027	G07827027	2	Mushroom head square neck bolt
413	G00010145	G00010145	4	Disc
414	G00024078	G00024078	4	Slotted spring pin
415	G00010144	G00010144	2	Disc
416	G06525074	G06525074	2	Chain wheel hub
417	G06525073	G06525073	4	Chain wheel 39 teeth
418	G06525075	G06525075	2	Chain wheel hub total
419	G07830023	E06305	4	Deep groove ball bearing
421	G90121010	G90121010	2	Wheel hub with ball bearing

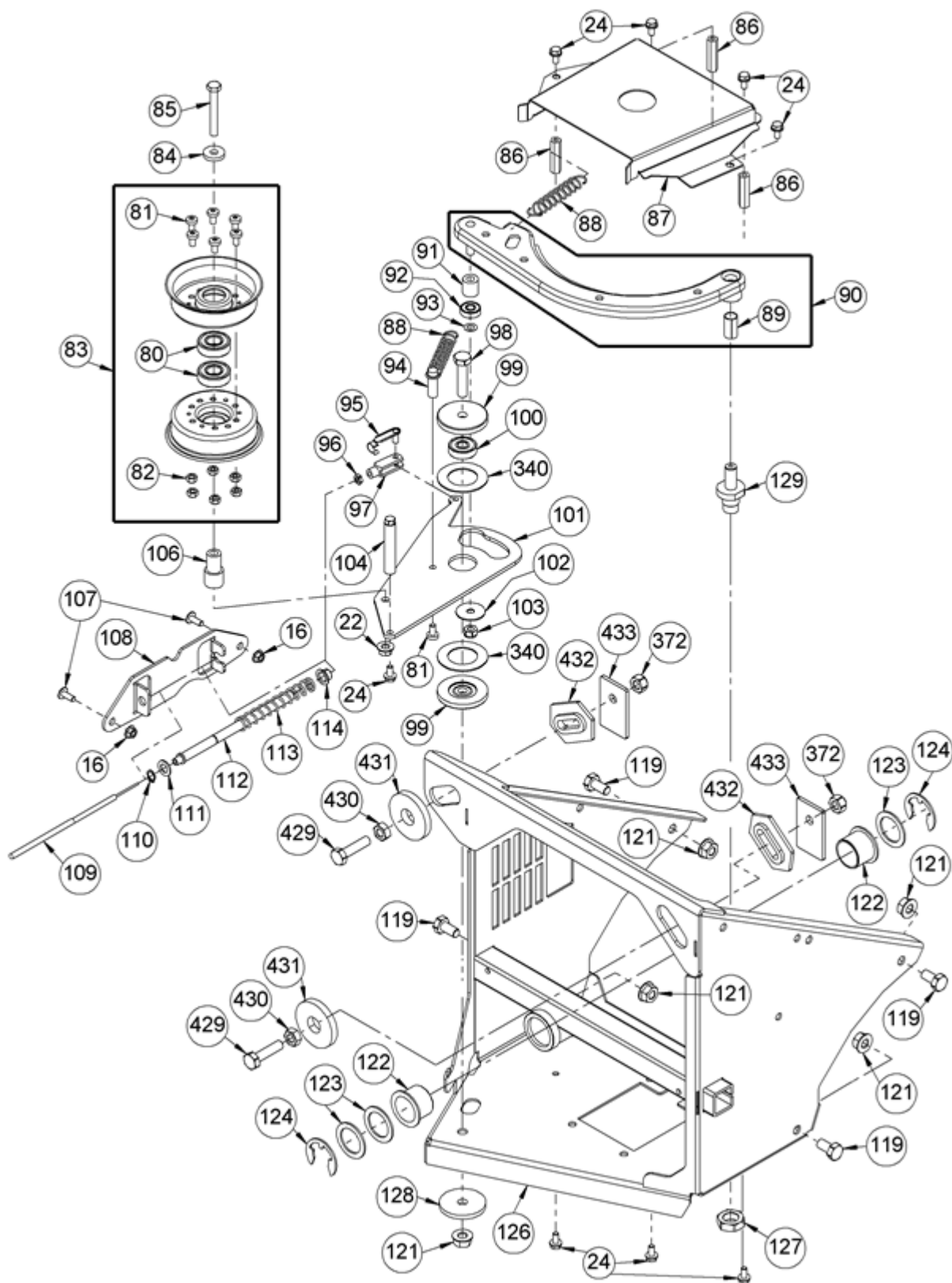
Covers



Covers

Item	Part-No.		Quantity	Description
16	G00007041	E05975	2	Selflocking nut with serrated bearing (5
160	G00010101	E07113	4	Disc (2 Stk.)
180	G07880001	E01980	2	Disc (10 Stk.)
284	G07809003	E01181	2	Disc (20 Stk.)
309	G07846002	E01932	4	Self-locking hex nut (5 Stk.)
316	G90126010	E13005	1	Cover front
317	G07838027	E03933	4	Hexagon screw (10 Stk.)
318	G00024022	E07123	4	Stop sleeve
319	G00008145	E07287	4	Rubber bearing
320	G07862010	E03789	2	Tooth lock washer (20 Stk.)
321	G07917002	E07927	2	Spherical button
322	G90126004	E13004	1	Exhaust pipe guard
323	G00010084	E03710	4	Disc (10 Stk.)
324	G00042012	E07132	4	Detent edge disc (4 Stk.)
325	G00007061	E10018	4	Connection nut
326	G00009174	E12496	8	Dome head screw with Torx (10 Stk.)
327	G90126005	E13035	1	Cover
328	G00008099	E06588	1	Self-aligning rubber
329	G07838003	E01927	17	Hexagon screw (10 Stk.)
330	G07880007	E03960	11	Disc (20 Stk.)
331	G00007083	E13024	13	Box nut
332	G06520031	E13086	1	Base plate rear
341	G90126019	E13121	1	Shielding plate
420	G90120036	G90120036	1	Engine mount total

Belt tensioner and brake levers



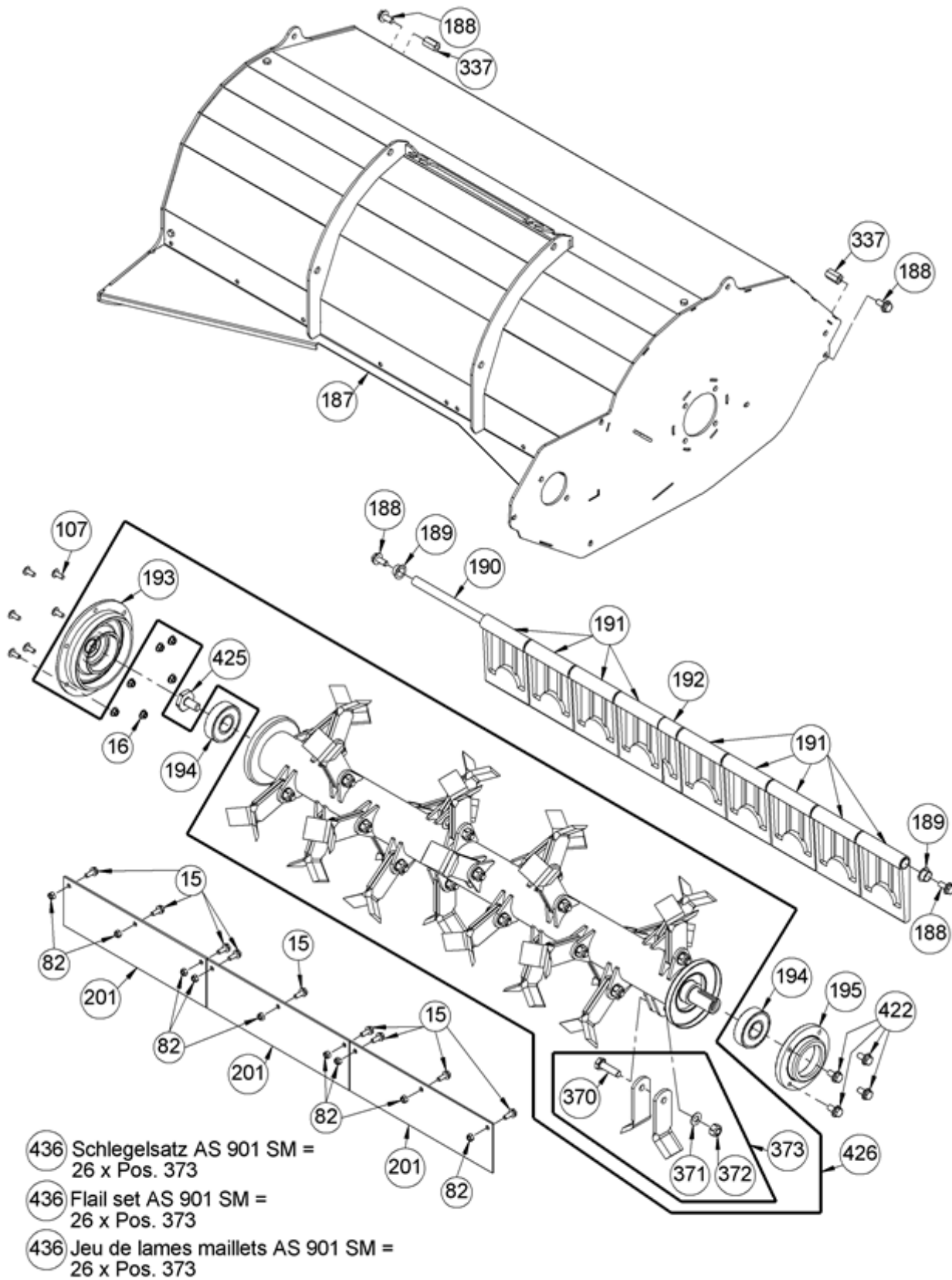
Belt tensioner and brake levers

Item	Part-No.		Quantity	Description
16	G00007041	E05975	2	Selflocking nut with serrated bearing (5
22	G00007042	E06037	1	Selflocking nut with serrated bearing (3
24	G00009016	E04631	8	Hexagon screw with serration (5 Stk.)
80	G07830027	E06752	2	Deep groove ball bearing
81	G00009083	E06753	7	Rounded head screw with inside Torx (2 S
82	G07906002	E06667	6	Self-locking hex nut (10 Stk.)
83	G06925038	E11765	1	Tension pulley with ball bearing
84	G07861006	E07940	1	Disc
85	G07837005	E03142	1	Hexagon screw (4 Stk.)
86	G00007052	E07876	3	Connection nut (2 Stk.)
87	G90126006	E12988	1	Belt covering
88	G00002056	E07867	2	Draw spring
89	G00028022	E06364	1	DU bush
90	G06734001	E07699	1	Brake lever with lining and DU bush
91	G00024036	E08268	1	Sleeve
92	G07830031	E07211	1	Deep groove ball bearing
93	G07847036	E05984	1	Shim (10 Stk.)
94	G04620002	E06936	1	Mounting bolt
95	G00039003	E08527	1	Folding spring bolt
96	G07818004	E03917	1	Hex nut (10 Stk.)
97	G07925001	E08526	1	Fork head
98	G07837043	E05433	1	Hexagon screw (3 Stk.)
99	G90120019	E13006	2	Bearing washer
100	G07830025	E06524	1	Deep groove ball bearing
101	G90125009	E12987	1	Belt tensioner
102	G00010132	E12383	1	Cover disc
103	G07846001	E01912	1	Self-locking hex nut (10 Stk.)
104	G06825016	E08395	1	Belt guide
106	G06925036	E11763	1	Sleeve
107	G00009159	E11673	2	Dome head screw with Torx (10 Stk.)
108	G06920080	E11773	1	Spring plate
109	G00020177	E13034	1	Blade clutch cable
110	G07822002	E02650	1	Circlip for shaft (5 Stk.)
111	G07816006	E04214	1	Disc (20 Stk.)
112	G06820010	E08388	1	Spring tube
113	G00001083	E08389	1	Pressure spring
114	G00028042	E08662	1	Collar bush
119	G07838025	E03930	4	Hexagon screw (5 Stk.)
121	G00007051	E07668	5	Locknut (2 Stk.)
122	G00028023	E06496	2	Plastic bush
123	G07847058	E13045	3	Shim
124	G07864011	E10436	2	Lock washer (10 Stk.)
126	G90120012	E13002	1	Bearing total
127	G07818008	E07875	1	Hex nut
128	G00010090	E06652	1	Disc (2 Stk.)
129	G06834001	E08384	1	Brake lever bearing
340	G00010138	E13009	2	Thrust washer

Belt tensioner and brake levers Page 2

Item	Part-No.		Quantity	Description
372	G07906004	E08659	2	Self-locking hex nut (2 Stk.)
429	G07838093	G07838093	2	Hexagon screw
430	G07839008	E01953	2	Hex nut (10 Stk.)
431	G00010150	G00010150	2	Slide washer
432	G90120043	G90120043	2	Sliding plate
433	G90120044	G90120044	2	Square washer

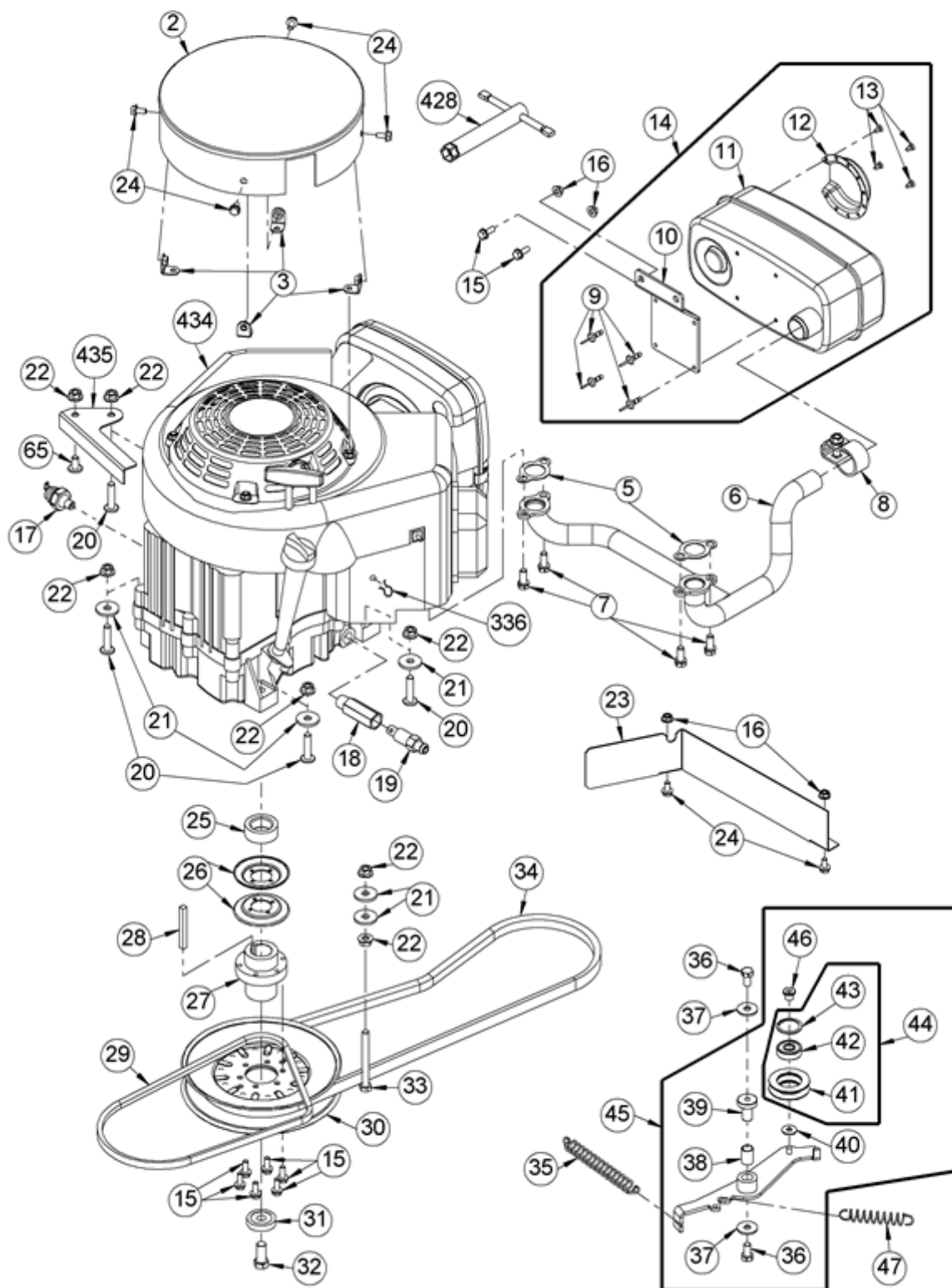
Flails mechanism



Flails mechanism

Item	Part-No.		Quantity	Description
15	G00009094	E07247	9	Locking screw (2 Stk.)
16	G00007041	E05975	6	Selflocking nut with serrated bearing (5
82	G07906002	E06667	9	Self-locking hex nut (10 Stk.)
107	G00009159	E11673	6	Dome head screw with Torx (10 Stk.)
187	G90120020	E13015	1	Hood AS 901 SM
188	G00009146	E10417	4	Locking screw (4 Stk.)
189	G00028056	E11670	2	DU flanged bush (2 Stk.)
190	G90126013	E13019	1	Rod for shuttle valve
191	G05851051	E12574	9	Replaced by G90126020
191	G90126020	G90126020	9	Shuttle valve
192	G90126001	E12761	1	Half shuttle valve
193	G90120031	E12764	1	Cover
194	G07830052	E12740	1	Ball bearing
195	G90120011	E12765	1	Flange for flail blade shaft
201	G90126012	E12763	3	Ejector rubber
337	G07908002	E12692	2	Hex nut (10 Stk.)
370	G00009188	G00009188	26	Hexagon screw
371	G07812009	G07812009	26	Spring disc
372	G07906004	E08659	26	Self-locking hex nut (2 Stk.)
373	G90180003	G90180003	26	Flail blade with fastening part
422	G00009192	G00009192	4	Locking screw
425	G90420072	G90420072	1	Hex bold
426	G90180013	G90180013	1	Shaft 26 set of flails + cover
436	G90180014	G90180014	1	Flail set AS 901 SM

Motor and belt drive



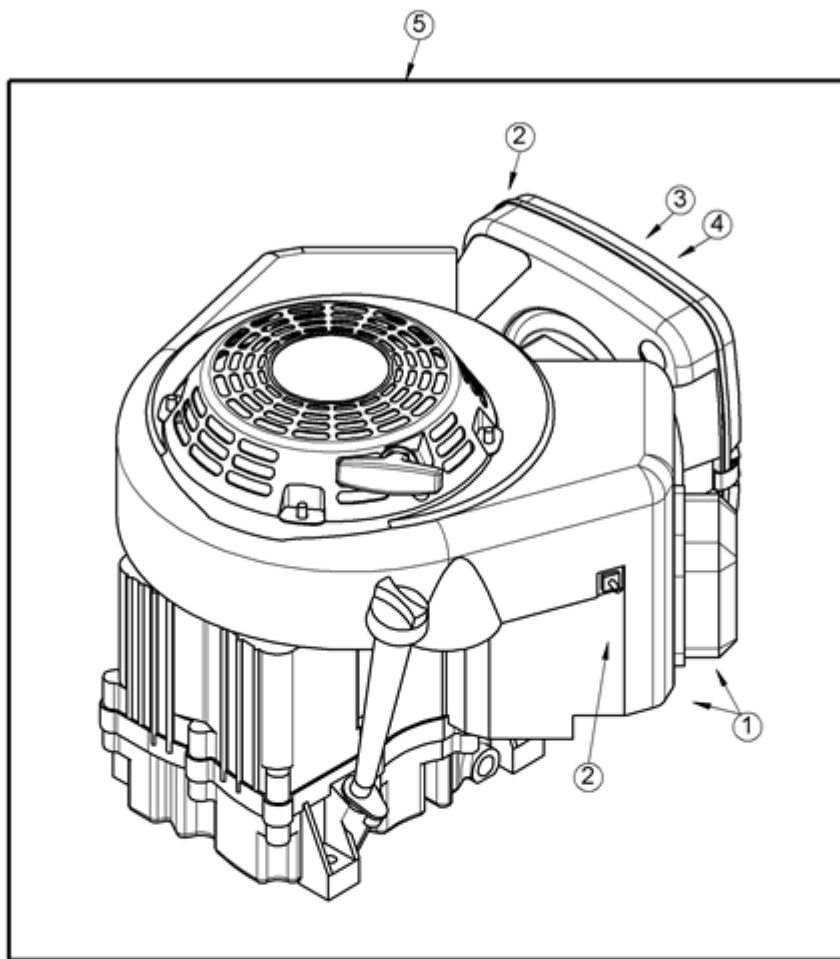
Motor and belt drive

Item	Part-No.		Quantity	Description
2	G06526034	E11744	1	Ventilation grid
3	G06526035	E11745	4	Angle bracket
5	G00550002	E06742	2	Manifold gasket (5 Stk.)
6	G00509021	E07216	1	Manifold total
7	G00550003	E06743	4	Manifold screw (5 Stk.)
8	G00580001	E06741	1	Part no longer available
9	G00012022	E06755	4	Blind rivet (2 Stk.)
10	G00509020	E07244	1	Exhaust plate
11	G00509009	E06822	1	Silencer
12	G00509018	E07212	1	Deflector
13	G07890028	E06594	4	Self-tapping screw (5 Stk.)
14	G00509022	E07227	1	Silencer total
15	G00009094	E07247	8	Locking screw (2 Stk.)
16	G00007041	E05975	4	Selflocking nut with serrated bearing (5
17	G00550004	E06744	1	Oil pressure switch
18	G06650163	E07344	1	Extension
19	G06650164	E07345	1	Oil drain tube
20	G00009069	E06613	4	Raised-head shouldered screw (2 Stk.)
21	G07810004	E06262	6	Disc (5 Stk.)
22	G00007042	E06037	6	Selflocking nut with serrated bearing (3
23	G06520021	E06495	1	Wind cowl
24	G00009016	E04631	6	Hexagon screw with serration (5 Stk.)
25	G00024033	E08081	1	Engine sleeve
26	G06725051	E08082	2	Belt pulley half dw 62,5
27	G90125007	E13094	1	Engine hub
28	G07865023	E08673	1	Feather key
29	G04325080	E04829	1	V-belt
30	G06925026	E11545	1	Belt pulley dw145
31	G00010106	E07879	1	Drive pulley
32	G00009066	E06716	1	Inch screw (2 Stk.)
33	G07837047	E05681	1	Hexagon screw (2 Stk.)
34	G07857033	E08228	1	High performance V-belt
35	G00002067	E10881	1	Draw spring
36	G07838026	E03932	2	Hexagon screw (10 Stk.)
37	G07880006	E03957	2	Disc (20 Stk.)
38	G00028027	E06473	1	DU bush
39	G06525054	E07158	1	Tension lever bearing
40	G07880004	E03914	1	Disc (20 Stk.)
41	G06525056	E07891	1	Tension pulley
42	G07830047	E12509	1	Deep groove ball bearing
43	G07823016	E07209	1	Circlip for drilled hole (2 Stk.)
44	G06525063	E07208	1	Tension pulley with ball bearing
45	G90125013	E13023	1	Belt tensioner total
46	G00007079	E12369	1	Special nut
47	G00002056	E07867	1	Draw spring
65	G00009175	E12497	1	Dome head screw with Torx (2 Stk.)
336	G00005033	E05629	1	Cable holder

Motor and belt drive Page 2

Item	Part-No.		Quantity	Description
428	G00011118	G00011118	1	Spark plug wrench
434	G00501052	G00501052	1	Engine B&S Vanguard
435	G90125021	G90125021	1	Belt guide

Motor



Motor

Item	Part-No.		Quantity	Description
1	G00550002	E06742	2	Manifold gasket (5 Stk.)
2	G00550017	G00550017	2	Spark plug
3	G00550033	G00550033	1	Air filter inside
4	G00550034	G00550034	1	Air filter outer
5	G00501052	G00501052	1	Engine B&S Vanguard

