

**Print spare parts list**

## Ersatzteile

AS 63 2T ES

- from serial No. 034619070001

Seriennummer, Сериен номер, Sériové číslo, Serial number, Número de serie, Sarjanumero, Numéro de série, Serijski broj, Sorozatszám, Numero di serie, Serijos numeris, Seriennummer, Numer seryjny, Serijska številka

DE Hier Aufkleber aus Garantiekarte aufkleben.  
BG Залепете тук стикери от гаранционната Карта.  
CZ Sem nalepte nálepku ze záručního listu.  
DK Her skal maerkaten fra garantikortet klaebes på.  
GB Please adhere the sticker from the warranty card here.  
ES Pegar aquí el adhesivo de la tarjeta de garantía.  
FI Liimaa takuukortin tarra tähän.  
FR Collez ici l'autocollant placé sur la carte de garantie .  
HR Ovdje zalijepite naljepnicu iz jamstvenog lista.

HU Ide ragassza a matricát a garanciakártyából.  
IT Applicare qui l'etichetta, come scheda di garanzia.  
LT Čia užklijuokite garantijos pase pateiktą lipduką.  
NL Plak hier sticker uit garantiekaart.  
NO Lim klistremerke fra garantikortet inn her.  
PL Tutaj nakleić naklejkę na kartę gwarancyjną.  
SL Tukaj nalepite nalepko z garancijskega lista.  
SE Klistra fast etiketten från garantikortet här.

Ab Serien Nr.: from serial No. 034619070001

Ausgabe: 13.09.2024, EN

AS-Motor GmbH  
Eilwanger Straße 15  
D-74424 Bühlertann  
Telefon 07973-9123-0  
Telefax 07973-9123-259  
[www.as-motor.de](http://www.as-motor.de)

## **If you need spare parts:**

1. Send your order to your AS-Motor dealer.
2. In order to get you the right spare part he needs:
  - **Model name (s. sticker on the machine)**
  - **Serial No. of machine (sticker or S/N lable)**
  - **Articlenumber**
  - **Your dealer orders part in our online system parts and more.**

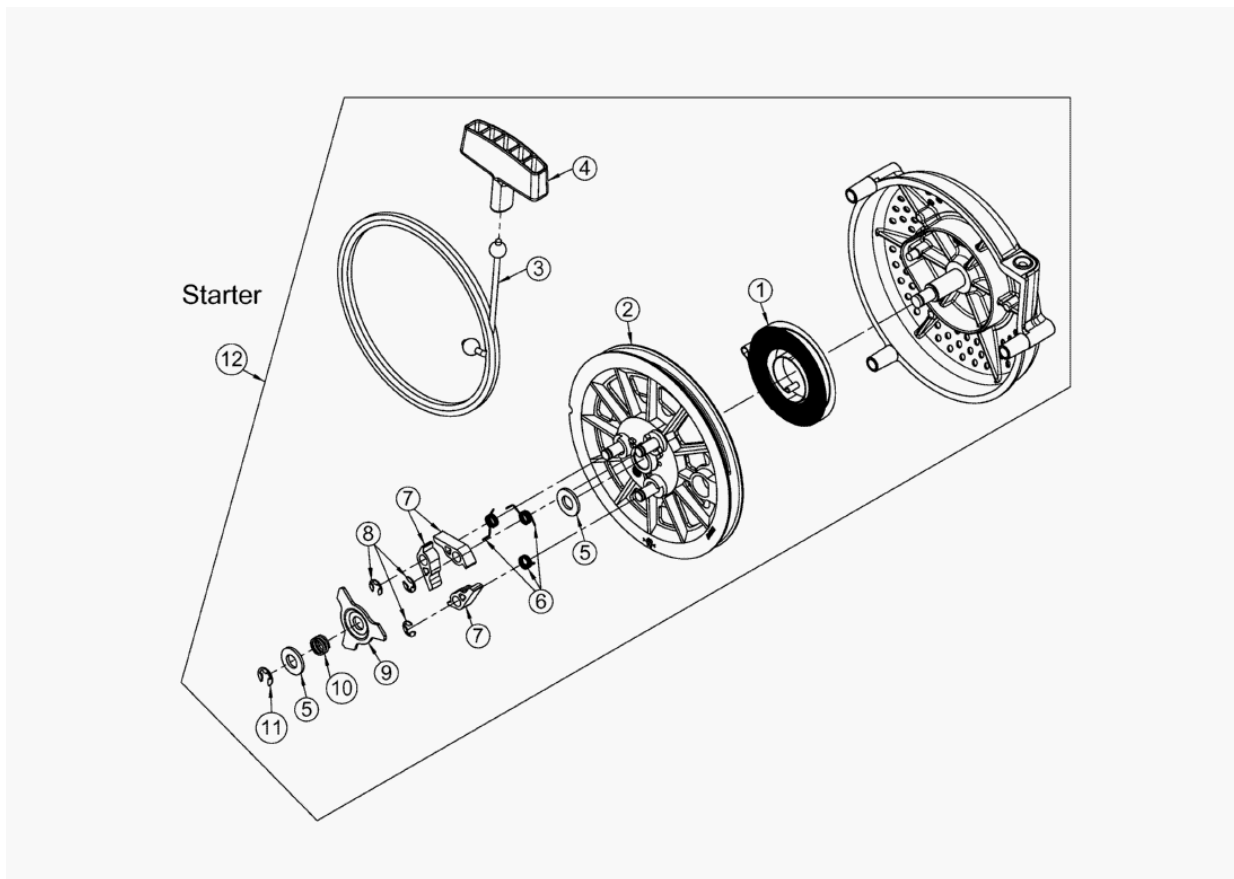
Only in this case you receive all important information about proper spare parts and possible technical changes.

Please fulfil only maintenance tasks mentioned in the owner manual by yourself. All other tasks have to be done by authorised AS-Motor dealer.

Subject to change without notice.

Images may show differences from the machines in production.

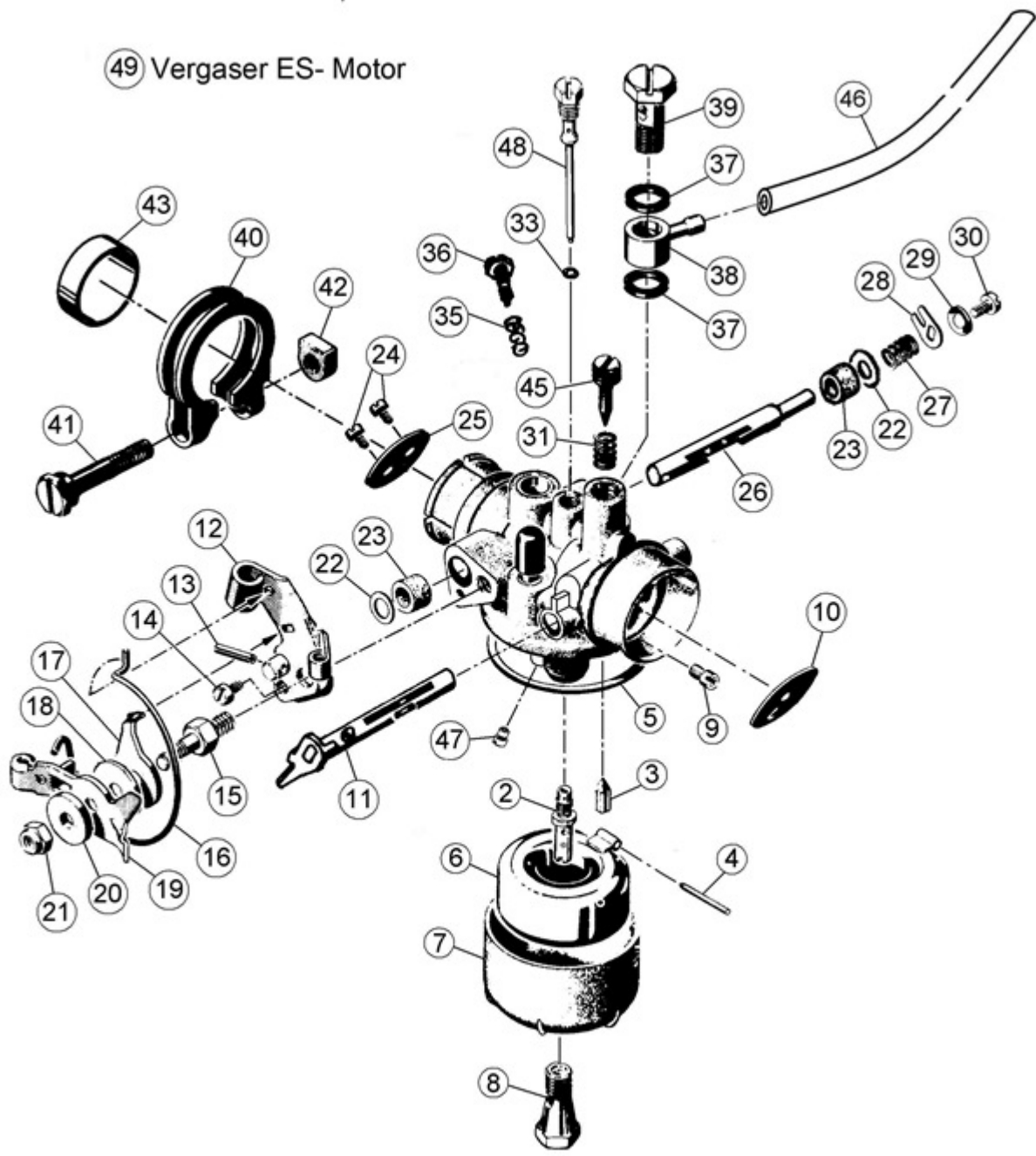
# Starter



## Starter

Item	Part-No.		Quantity	Description
1	G00111039	E04201	1	Return spring
2	G00111062	E10737	1	Cable pulley
3	G00111043	E04457	1	Starter rope Ø 4
4	G00111020	E01186	1	Handle
5	G07809008	E03668	5	Disc (5 Stk.)
6	G00003017	E04204	3	Claw recoil spring (3 Stk.)
7	G00111044	E04205	3	Claw (3 Stk.)
8	G07864003	E03137	20	Lock washer (20 Stk.)
9	G00111053	E05359	1	Cam
10	G00001057	E04206	1	Pressure spring
11	G07864005	E03970	20	Lock washer (20 Stk.)
12	G00180086	E10820	1	Starter total + SK plate

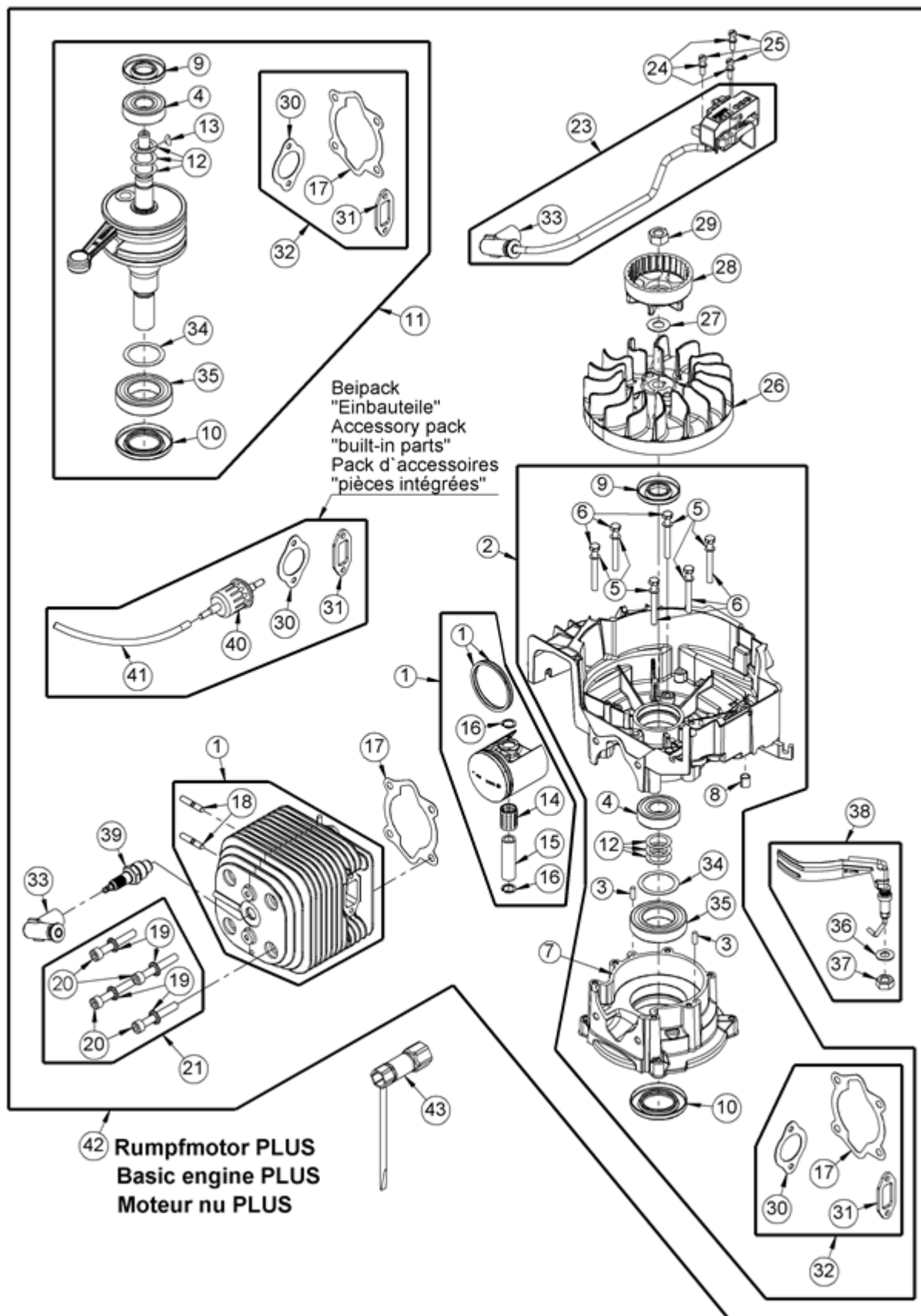
# Carburettor



## Carburettor

Item	Part-No.		Quantity	Description
2	G00150132	E10852	1	Mixing tube
3	G00150089	E04784	1	Flood needle
4	G00350014	E01203	1	Pin (10 Stk.)
5	G00350015	E01206	1	Gasket (2 Stk.)
6	G00250025	E05496	1	Floater
7	G00150016	E02760	1	Float cap
8	G00150133	E10853	1	Nozzle body
9	G00750019	E01205	1	Air correction jet 70 series
10	G00150060	E03398	1	Choke
11	G00150059	E03397	1	Starter axle with lever right
12	G00150025	E02770	1	Arm left
13	G00150026	E02771	1	Feather key (10 Stk.)
14	G00150024	E02769	1	Cylinder screw (10 Stk.)
15	G00150023	E02768	1	Stud (2 Stk.)
16	G00150022	E02767	1	Hairpin spring (2 Stk.)
17	G00150075	E03473	1	Washer disc (3 Stk.)
18	G00150020	E02765	1	Brake disc (10 Stk.)
19	G00150074	E03472	1	Hand lever
20	G00150018	E02763	1	Disc (10 Stk.)
21	G07846002	E01932	1	Self-locking hex nut (5 Stk.)
22	G00150077	E03475	1	Disc (10 Stk.)
23	G00150031	E02776	2	Sealing sleeve (10 Stk.)
24	G00150067	E03464	2	Raised countersunk head screw (5 Stk.)
25	G00150062	E03400	2	Throttle valve
26	G00150061	G00150061	1	Throttle shaft
27	G00150083	E04501	1	Spring (10 Stk.)
28	G00150084	E04502	1	Throttle lever (3 Stk.)
29	G00150043	E02788	1	Waved washer (10 Stk.)
30	G00150044	E02789	1	Raised head screw (10 Stk.)
31	G00150069	E03466	1	Spring (2 Stk.)
33	G00150082	E04223	1	Gasket (10 Stk.)
35	G00150072	E03469	1	Spring (2 Stk.)
36	G00150073	E03470	1	Adjusting screw
37	G00750023	E01210	1	not available anymore (10 Stk.)
38	G00950022	E02506	1	Hose swivel joint
39	G00150006	E01248	1	Screw
40	G00150068	E03465	2	Clamping ring
41	G00150034	E02779	1	Clamping screw
42	G00150036	E02781	1	Nut (5 Stk.)
43	G00150090	E04932	1	Insulating bush
45	G00150137	E10915	1	Air adjust screw
46	G00150085	E04585	1	Fuel hose 1 metre
47	G00150161	G00150161	1	Main nozzle 92
48	G00150162	G00150162	1	Idle nozzle 55
49	G00105097	G00105097	1	Carburetor with hose

# Basic engine PLUS



## Basic engine PLUS

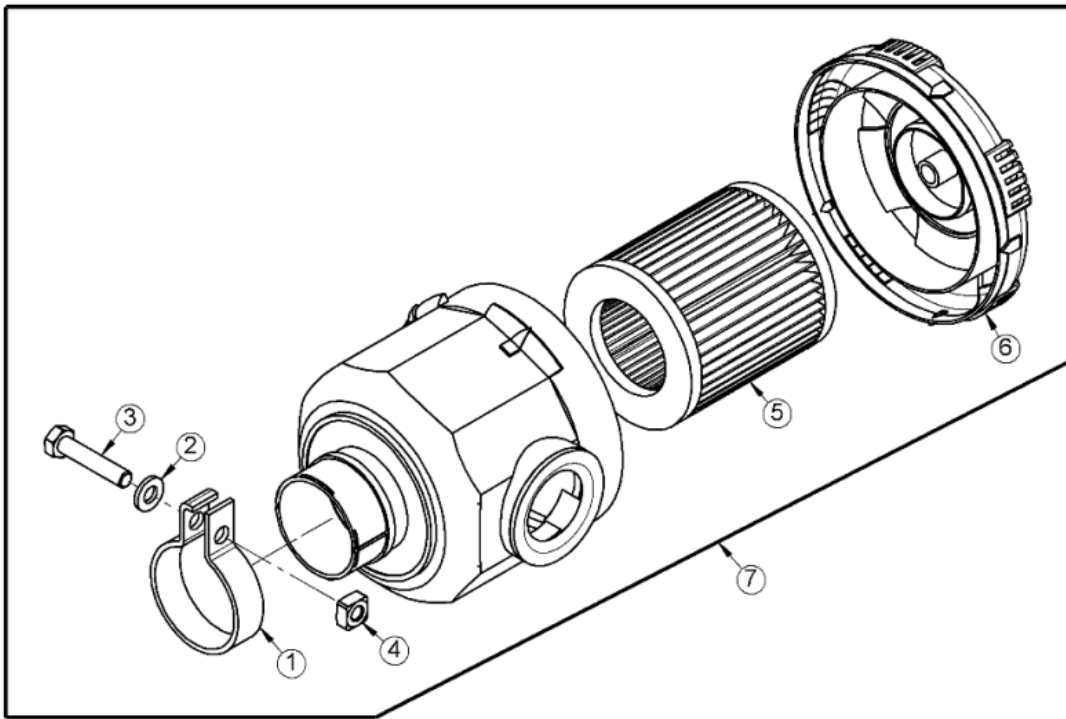
Item	Part-No.		Quantity	Description
1	1	1	1	
2	G00180157	G00180157	1	Crankcase + mounting parts + 4717
3	G07801001	E01901	2	Zylindersti.5M6x14 DIN EN 2338 (10 Stk.)
4	G07830016	E03344	1	Deep groove ball bearing
5	G07812004	E01920	6	Spring disc (20 Stk.)
6	G07837014	E03744	6	Hexagon screw (5 Stk.)
7	G00041003	E04718	1	LOCTITE 572 (50 ml)
8	G00028021	E11921	1	DU bush
9	G07858003	E03345	1	Shaft seal ring
10	G00180117	E10958	1	Shaft seal ring + notice
11	G00680024	E10419	1	Crankshaft + mounting parts
12	G00180045	E04923	1	Shims 1 set
13	G07866003	E03361	1	Curved washer (10 Stk.)
14	G00036003	E03369	1	Needle cage
15	G07883003	E03342	1	Piston bolt
16	G07823008	E03343	2	Circlip for drilled hole (2 Stk.)
17	G00103009	E03349	1	Cylinder base gasket (2 Stk.)
18	G07832006	E01254	2	Stud (4 Stk.)
19	G00042004	E05863	4	Detent edge disc (5 Stk.)
20	G07833006	E04692	4	Hexagon socket head cap screw
21	G00180012	E05322	1	Fixing device for cylinder (6 HP)
23	G00104030	G00104030	1	Ignition coil with cable and plug
24	G07811006	E01908	3	Spring washer (20 Stk.)
25	G07802028	E03372	3	Cylinder screw (5 Stk.)
26	G00107038	E11725	1	Impeller
27	G07856009	E03958	1	Disc spring (5 Stk.)
28	G00111031	E04212	1	Tappet
29	G07839015	E03921	1	Hex nut (4 Stk.)
30	G00109003	E03366	1	Exhaust gasket
31	G00105038	E03487	1	Insulating plate
32	G00180003	E03683	1	Seal set 6 hp motor
33	G00150160	G00150160	1	Spark plug connector ES
34	G07847026	E04924	1	Shim (5 Stk.)
35	G07830011	E03101	1	Deep groove ball bearing
36	G07856005	E03483	1	Disc spring (5 Stk.)
37	G07839018	E03484	1	Hex nut (2 Stk.)
38	G00680050	E11779	1	Wind vane with mounting parts
39	G00104031	G00104031	1	Spark plug
40	G00023004	E12374	1	Filter
41	G00150085	E04585	1	Fuel hose 1 metre
42	G00680079	G00680079	1	Bare engine PLUS
43	G00011002	G00011002	1	Spark plug wrench
E12487	G00103024	E12487	1	Cylinder Ø60,00 Easy Start
E12488	G00150156	E12488	1	Cylinder Ø60,02 Easy Start
E10493	G00180067	E10493	1	Piston Ø 59.92 + needle cage + 2 ST ring
E10494	G00180068	E10494	1	Piston Ø 59.94 + needle cage + 2 ST ring
E10495	G00180069	E10495	1	Piston Ø 60.05 + needle cage + 2 ST ring



## Basic engine PLUS Page 2

Item	Part-No.		Quantity	Description
E10496	G00180070	E10496	1	Piston Ø 60.45 + needle cage + 2 ST ring
E10580	G00180078	E10580	1	1 Set of semi trapez. rings Ø 59.92
E10723	G00180083	E10723	1	Semi-trapez. rings 60.05 (1 set=2 rings)
E10724	G00180084	E10724	1	Semi-trapez. rings 60.45 (1 set=2 rings)

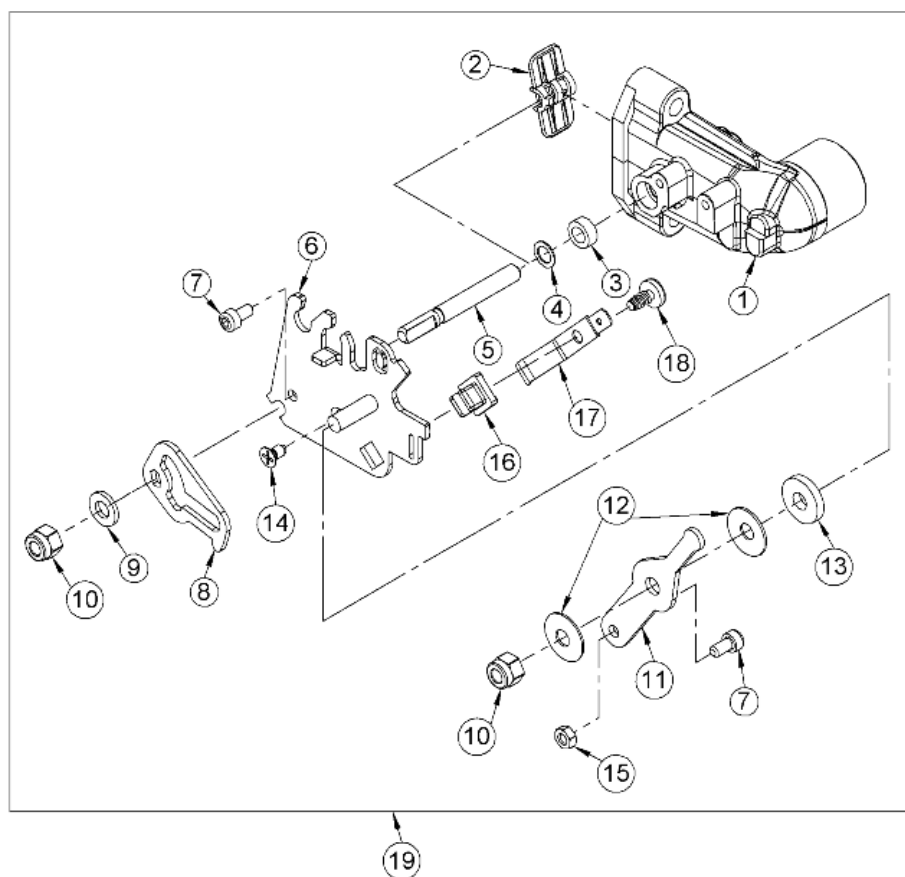
# Air filter



## Air filter

Item	Part-No.		Quantity	Description
1	G00034024	E07547	1	Pipe clip
2	G07809006	E01940	1	Disc (10 Stk.)
3	G07838027	E03933	1	Hexagon screw (10 Stk.)
4	G07825002	E04225	1	Square nut (5 Stk.)
5	G06350106	E07545	1	Filter insert
6	G06350107	E08180	1	Cover for air filter
7	G00605054	G00605054	1	Air filter total level V

## Suction nozzle

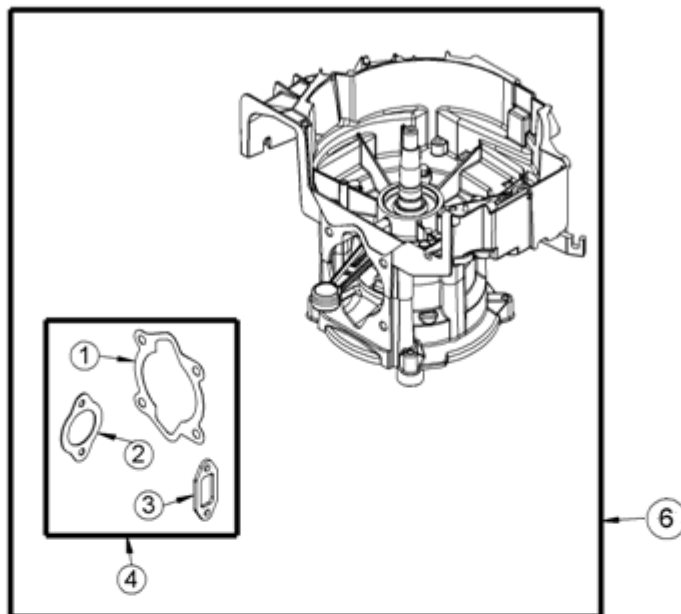


**Ansaugstutzen mit Umlenkhebel**  
**AS 531/2T MK**

## Suction nozzle

Item	Part-No.		Quantity	Description
1	G00105066	E10583	1	Intake manifold
2	G00105071	E10587	1	Shut-off panel
3	G00150031	E02776	1	Sealing sleeve (10 Stk.)
4	G00150077	E03475	1	Disc (10 Stk.)
5	G00105067	E10584	1	panel shaft
6	G00105094	E12471	1	Bearing plate
7	G07833036	E10802	2	Hexagon socket head cap screw (10 Stk.)
8	G00105095	E12472	1	Panel lever
9	G07809006	E01940	1	Disc (10 Stk.)
10	G07846008	E03829	2	Self-locking hex nut (10 Stk.)
11	G00105093	E12470	1	Deflection lever
12	G00033024	E08861	2	Disc spring
13	G07861005	E07877	1	Disc (2 Stk.)
14	G07890030	E07945	1	Self-tapping screw (4 Stk.)
15	G07839005	E01929	1	Hex nut (10 Stk.)
16	G00008078	E05463	1	Insulating piece (3 Stk.)
17	G00134016	E06343	1	Short circuiting contact
18	G07875005	E04748	1	Raised cross-head sheet metal screw (10
19	G00105096	E12481	1	Intake manifold with deflection lever

# Basic engine



## Rumpfmotor

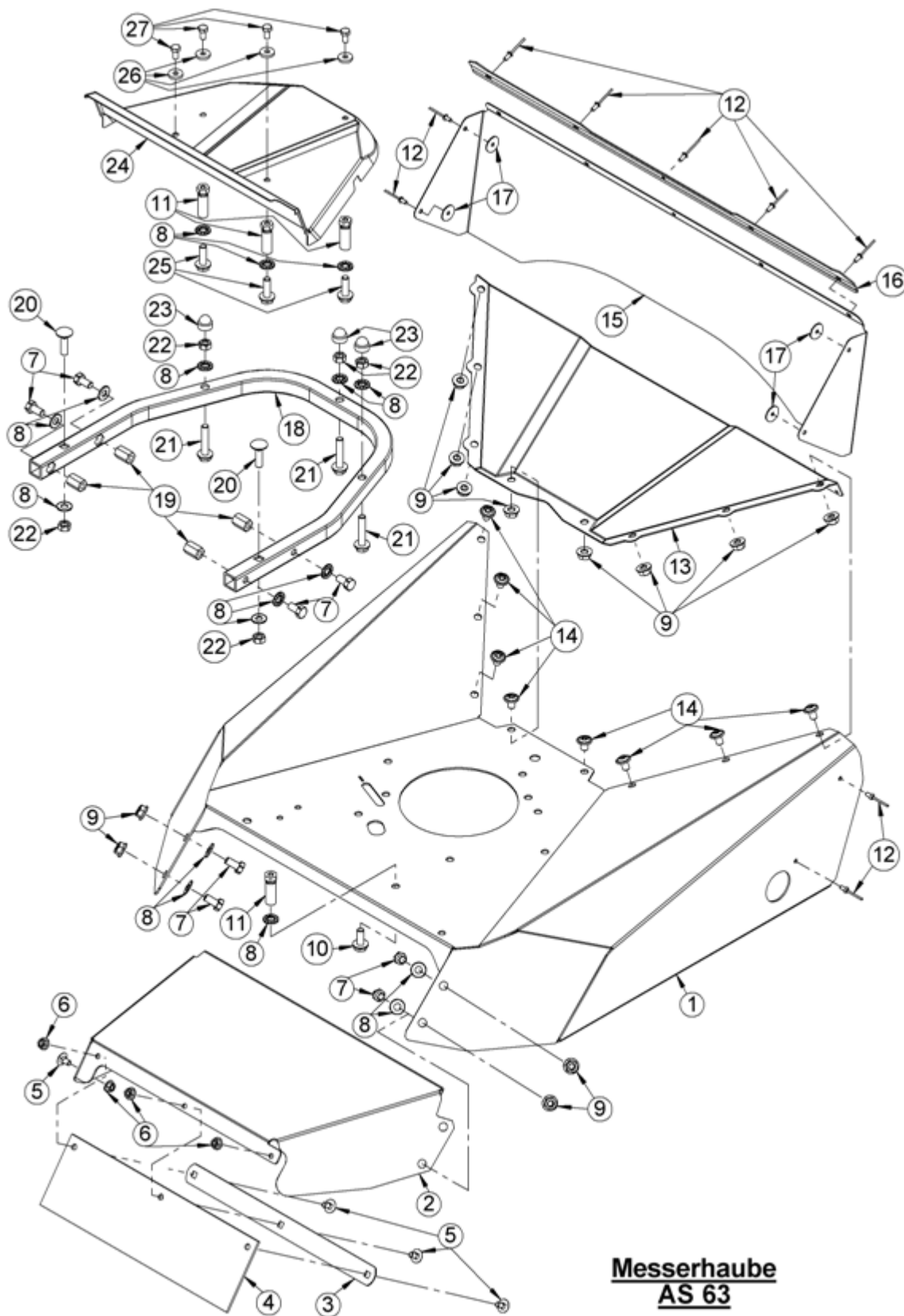
**AS 510 2T A ab Serien-Nr. 0243 15 07 0021**  
**AS 531 2T MK B ab Serien-Nr. 0263 15 07 0001**  
**AS 63 2T ab Serienstart**

	Lieferumfang :	Delivery contents:		Éléments inclus à la livraison :	
fertig montiert :	<div style="border: 1px solid black; padding: 5px;">                 Kurbelgehäuse                  Kurbelwelle                  Rillenkugellager                  Passscheiben                  Wellendichtringe             </div>	Firmly mounted :	<div style="border: 1px solid black; padding: 5px;">                 Crankcase                  Crankshaft                  Deep groove ball bearing                  Shims                  Shaft seal ring             </div>	Pré-assemblé :	<div style="border: 1px solid black; padding: 5px;">                 Carter de vilebrequin                  Vilebrequin                  Roulement à billes rainuré                  Rondelles d'ajustage                  Bague à lèvres             </div>
beiliegend :	<div style="border: 1px solid black; padding: 2px;">Dichtungssatz</div>	Unmounted :	<div style="border: 1px solid black; padding: 2px;">Seal set</div>	Compris :	<div style="border: 1px solid black; padding: 2px;">Jeu de joints</div>

## Basic engine

Item	Part-No.		Quantity	Description
1	G00103009	E03349	1	Cylinder base gasket (2 Stk.)
2	G00109003	E03366	1	Exhaust gasket
3	G00105038	E03487	1	Insulating plate
4	G00180003	E03683	1	Seal set 6 hp motor
6	G00680082	G00680082	1	Bare engine

# Blade cover



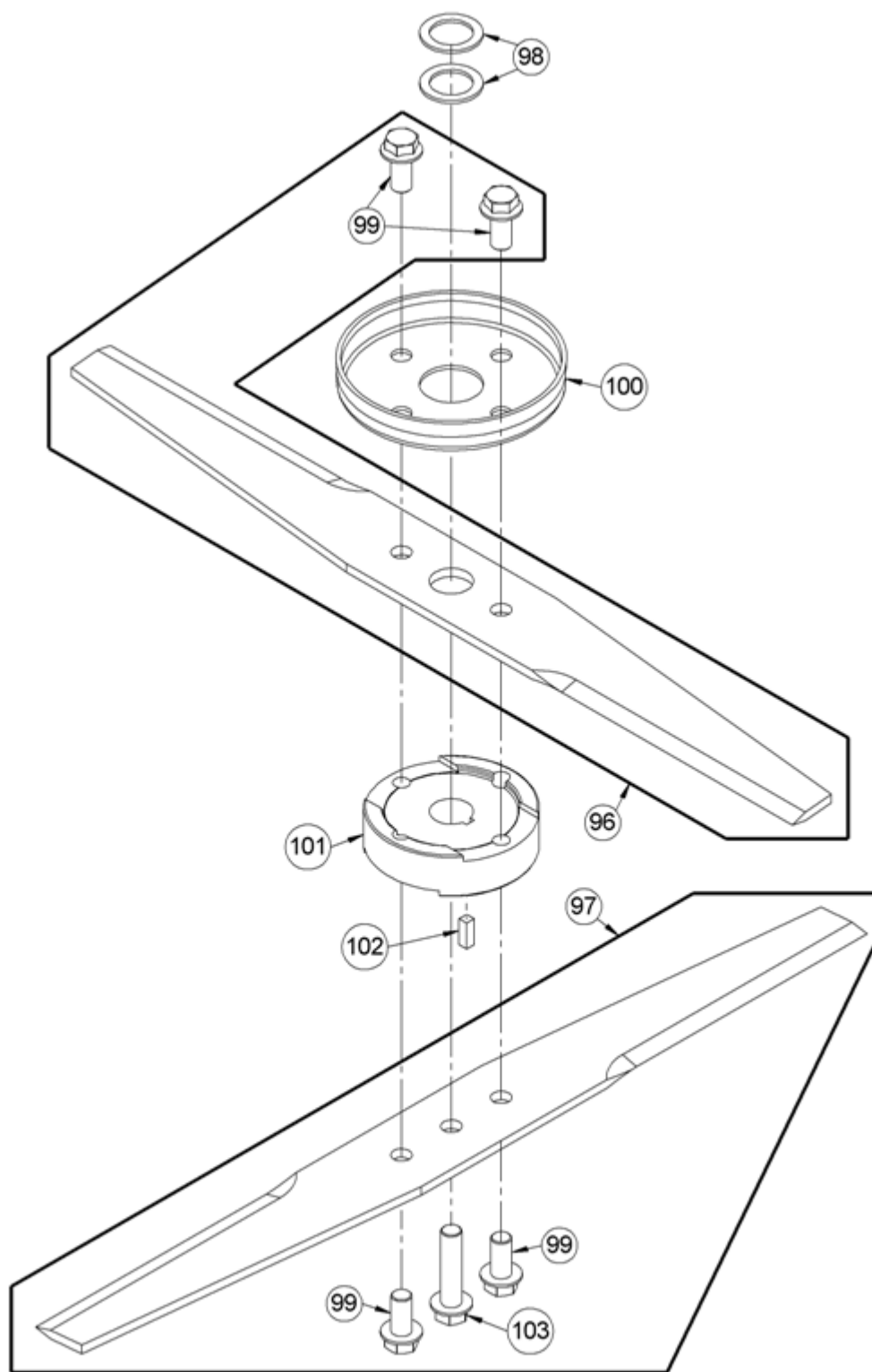
**Messerhaube**  
**AS 63**



## Blade cover

Item	Part-No.		Quantity	Description
1	G60020008	G60020008	1	Blade hood
2	G60020011	G60020011	1	Ejector
3	G60026013	G60026013	1	Protection skirt holder
4	G90126012	E12763	1	Ejector rubber
5	G07827008	E04991	4	Mushroom head square neck bolt (3 Stk.)
6	G00007041	E05975	4	Selflocking nut with serrated bearing (5
7	G07838026	E03932	8	Hexagon screw (10 Stk.)
8	G00042012	E07132	17	Detent edge disc (4 Stk.)
9	G00007042	E06037	12	Selflocking nut with serrated bearing (3
10	G00009108	E08177	1	Hexagon screw with serration (3 Stk.)
11	G60025021	G60025021	4	Belt guide
12	G00012006	E05262	9	Blind rivet (5 Stk.)
13	G60026010	G60026010	1	Sheet metal guard
14	G00009174	E12496	8	Dome head screw with Torx (10 Stk.)
15	G60026011	G60026011	1	Protection skirt
16	G60026007	G60026007	1	Protection strip
17	G00010120	E10118	4	Mudguard washer (10 Stk.)
18	G60020006	G60020006	1	Frame
19	G00007061	E10018	4	Connection nut
20	G07827028	G07827028	2	Mushroom head square neck bolt
21	G00009086	E06762	3	Hexagon screw
22	G07839003	E01906	5	Hex nut (10 Stk.)
23	G00029021	E10399	3	Sealing cap
24	G60026005	G60026005	1	Belt cover
25	G00009085	E06761	3	Hexagon screw (2 Stk.)
26	G07902005	G07902005	4	Disc (10 Stk.)
27	G07838015	E03959	4	Hexagon screw (10 Stk.)

# Blade with fixing

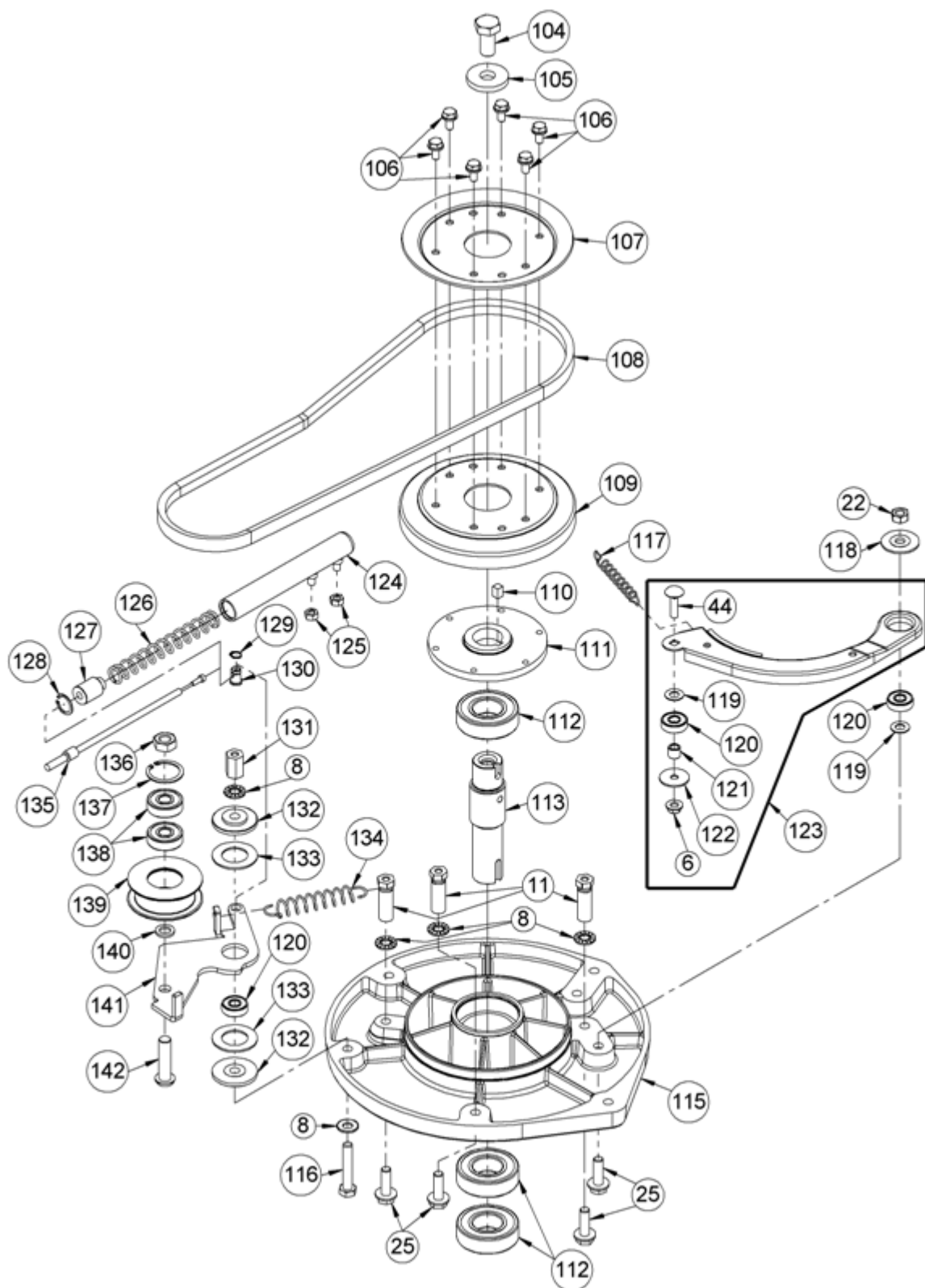


**Messer mit Befestigung**  
**AS 63**

## Blade with fixing

Item	Part-No.		Quantity	Description
96	G60080002	g07399004	1	Blade + 2 screws
97	G60080001	G60080001	1	Blade + 3 screws
98	G07847015	E03928	2	Supporting disc
99	G00009097	E07718	4	Locking screw (4 Stk.)
100	G60023011	G60023011	1	Winding protection cover
101	G60023008	G60023008	1	Cutter disc
102	G07865019	E07723	1	Feather key (4 Stk.)
103	G00009111	E08291	1	Locking screw

# Blade clutch

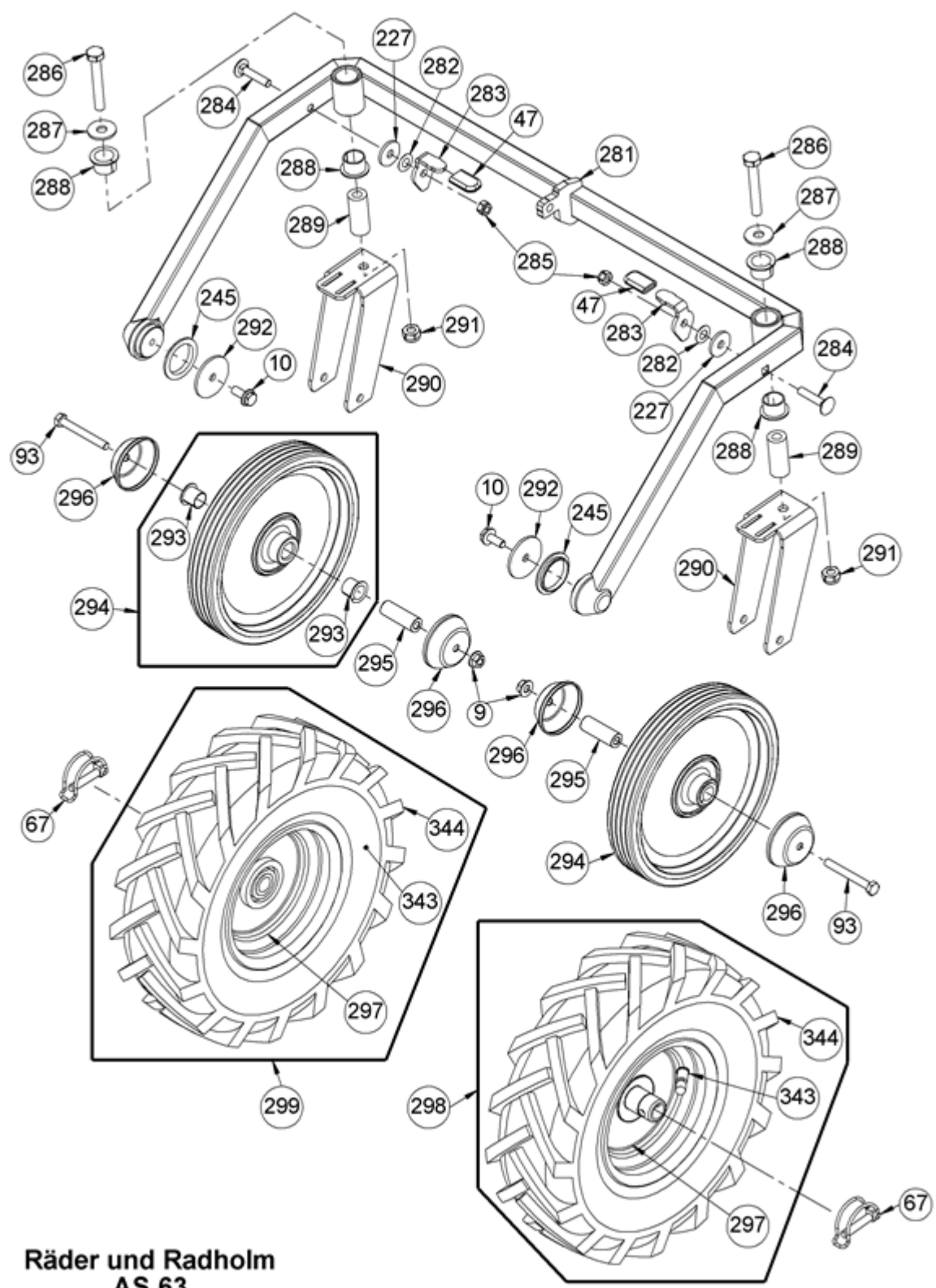


**Messerkupplung  
AS 63**

## Blade clutch

Item	Part-No.		Quantity	Description
6	G00007041	E05975	1	Selflocking nut with serrated bearing (5
8	G00042012	E07132	5	Detent edge disc (4 Stk.)
11	G60025021	G60025021	3	Belt guide
22	G07839003	E01906	1	Hex nut (10 Stk.)
25	G00009085	E06761	4	Hexagon screw (2 Stk.)
44	G07827002	E03524	1	Mushroom head square neck bolt (5 Stk.)
104	G07838038	E04926	1	Hexagon screw (3 Stk.)
105	G07861004	E07213	1	Disc (2 Stk.)
106	G00009016	E04631	6	Hexagon screw with serration (5 Stk.)
107	G60025004	G60025004	1	Belt pulley
108	G07857054	G07857054	1	V-belt
109	G60025005	G60025005	1	Brake drum
110	G07865012	E06648	1	Feather key (2 Stk.)
111	G60025010	G60025010	1	Belt pulley hub
112	G07830015	E08351	3	Deep groove ball bearing
113	G60023005	G60023005	1	Blade shaft
115	G60023010	G60023010	1	Blade baring
116	G07837018	E03905	1	Hexagon screw (3 Stk.)
117	G00002028	E05647	1	Draw spring
118	G00010130	E11606	1	Special disc
119	G07856010	E04337	2	Disc spring (5 Stk.)
120	G07830055	G07830055	3	Deep groove ball bearing
121	G00110013	E03699	1	Spacer sleeve (5 Stk.)
122	G00010084	E03710	1	Disc (10 Stk.)
123	G60034007	G60034007	1	Brake lever+brake lining+bearing
124	G60025015	G60025015	1	Sleeve
125	G07839014	E03915	2	Hex nut (20 Stk.)
126	G00001083	E08389	1	Pressure spring
127	G60025019	G60025019	1	Guide
128	G07823017	G07823017	1	Circlip for drilled hole (10 Stk.)
129	G07822004	E02970	1	Circlip for shaft (10 Stk.)
130	G60020025	G60020025	1	Cable nipple
131	G00007086	G00007086	1	Connection nut
132	G00010140	G00010140	2	Disc
133	G00010137	E13008	2	Thrust washer
134	G00002056	E07867	1	Draw spring
135	G00020181	G00020181	1	Blade clutch cable
136	G07839008	E01953	1	Hex nut (10 Stk.)
137	G07823016	E07209	1	Circlip for drilled hole (2 Stk.)
138	G07830047	E12509	2	Deep groove ball bearing
139	G60025009	G60025009	1	Tension pulley
140	G07847048	E08172	1	Shim (10 Stk.)
141	G60025013	G60025013	1	Tension lever
142	G07922003	E10159	1	Raised countersunk head screw with hexag

# Wheel and wheel strut



Räder und Radholm  
AS 63

## Wheel and wheel strut

Item	Part-No.		Quantity	Description
9	G00007042	E06037	2	Selflocking nut with serrated bearing (3
10	G00009108	E08177	2	Hexagon screw with serration (3 Stk.)
47	G00029024	E10779	2	PVC cap
67	G00027015	E07881	2	Tube linchpin
93	G07837041	E04944	2	Hexagon screw (3 Stk.)
227	G07810004	E06262	2	Disc (5 Stk.)
245	G00028048	E10433	2	Friction bearing with collar
281	G60026012	G60026012	1	Frame
282	G07856011	E05856	2	Disc spring (3 Stk.)
283	G60022023	G60022023	2	Notch plate
284	G07827017	E06612	2	Mushroom head square neck bolt (3 Stk.)
285	G07846001	E01912	2	Self-locking hex nut (10 Stk.)
286	G07838071	E08001	2	Hexagon screw
287	G07880001	E01980	2	Disc (10 Stk.)
288	G00028069	G00028069	4	DU flanged bush
289	G60022021	G60022021	2	Wheel fork bolt
290	G60022018	G60022018	2	Wheel fork
291	G07846005	E01968	2	Self-locking hex nut (10 Stk.)
292	G00010141	G00010141	2	Disc (2 Stk.)
293	G00028025	E06504	4	DU flanged bush (4 Stk.)
294	G60021006	G60021006	2	Wheel Ø200
295	G60021008	G60021008	2	Wheel bolt
296	G60021007	G60021007	4	Winding protection cover
297	G60021005	G60021005	2	Rim
298	G60021004	G60021004	1	Profile wheel right 340x100-3.50-6.00
299	G60021003	G60021003	1	Profile wheel left 340x100-3.50-6.00
343	G60050007	G60050007	2	Hose for wheel 3.50 / 6.00-4PR
344	G60050008	G60050008	2	Sheath for wheel 3.50 / 6.00-4PR

# Proposal repair parts list

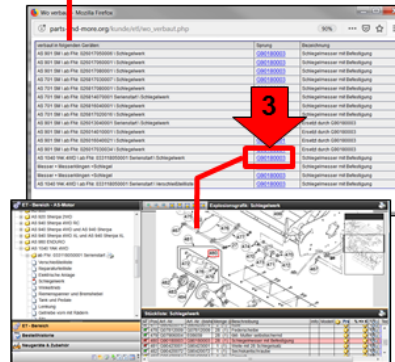
Pos	Art.-Nr.	Art.-Nr. (bisher)	Menge (min.)	Beschreibung	Info	Modell	Preis	% => €	Tech-Info
1	G90180003	G90180003	28 (1)	Schliessmesser mit Befestigung					bearbeiten
2	G07857057	G07857057	1 (1)	Keilriemen					bearbeiten
3	G07857056	G07857056	1 (1)	Keilriemen					bearbeiten
4	G07857035	E08304	1 (1)	Hochleistungskeilriemen					bearbeiten
5	G90434006	G90434008	1 (1)	Bremsbelaghalter mit Bremsbelag					bearbeiten
6	G00041054	E12381	1 (10)	2x5L Kanister Öl Titan Supersyn SAE5W-50					bearbeiten
7	G00006067	G00006067	1 (1)	O-Ring					bearbeiten
8	G06990016	E11741	1 (1)	Dichtscheibe 10					bearbeiten
9	G06980002	E11530	1 (1)	Ölfilter+Deckel+Dichtungen					bearbeiten
10	G00006066	G00006066	1 (1)	O-Ring					bearbeiten

**1 → Alle Artikel in den Warenkorb legen / Put all items in the cart / Mettre tous les articles dans le panier / Pon todos los artículos en el carrito / Поместить все запасные части в корзину**

Bei Bedarf Artikel in der Zeichnung ansehen / If necessary, see the article in the drawing / Si nécessaire, regarder l'article dans l'éclaté / Si es necesario, ver el artículo en el dibujo / При необходимости см. запасную часть на чертеже:

**2 → Klick auf Fernglas / Click on binoculars / Cliquez sur les jumelles / Haga clic en binoculares / Нажмите на бинокль**

**3 → Klick auf Artikel-Nummer bei Gerätemodell / Click on item number at according device model / Cliquez sur le numéro de pièce dans le modèle d'appareil / Haga clic en el número de artículo en el modelo de máquina / Нажмите на номер товара для модели устройства**

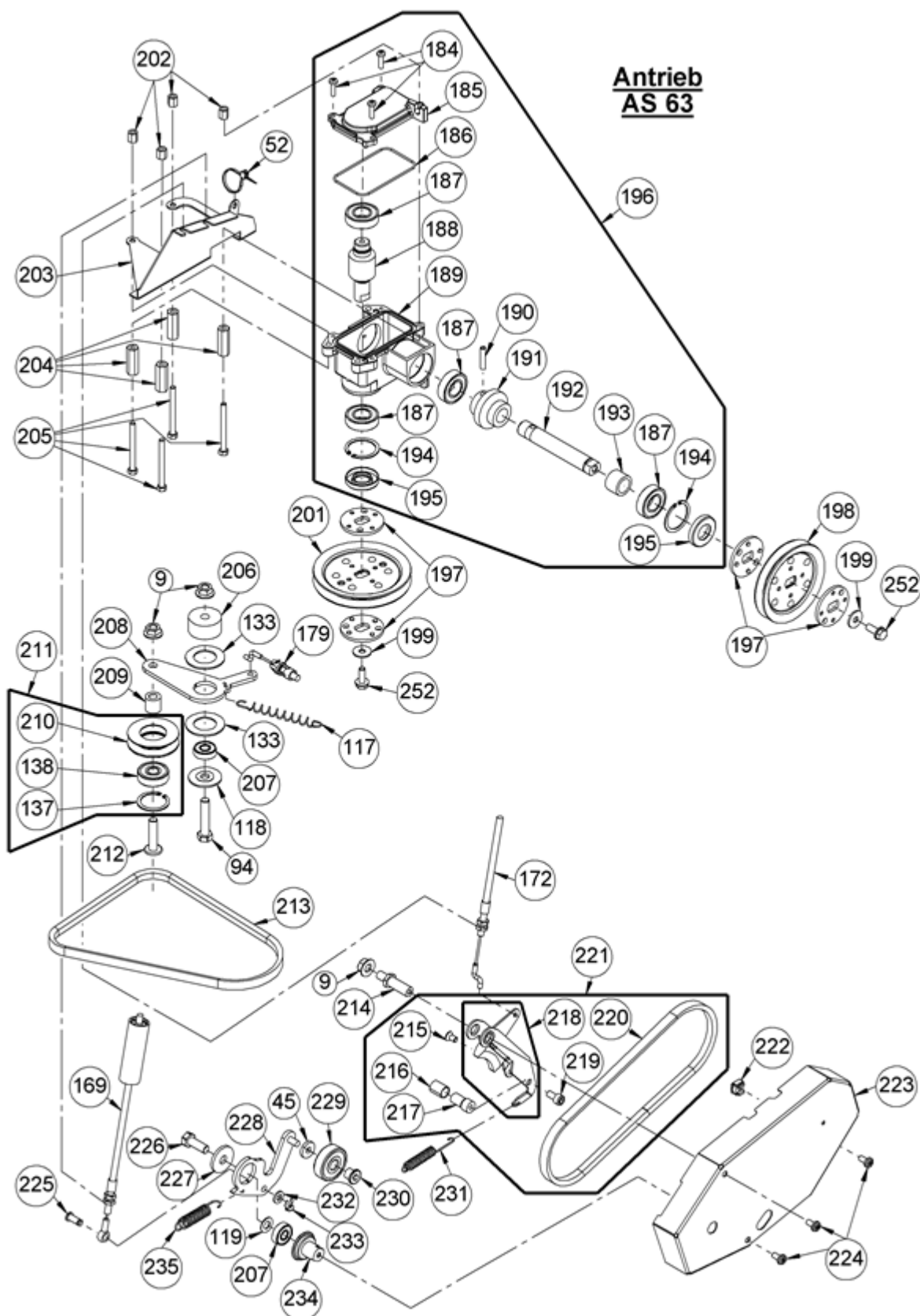




## Proposal repair parts list

Item	Part-No.		Quantity	Description
1	G90126012	E12763	1	Ejector rubber
2	G00150160	G00150160	1	Spark plug connector ES
3	G00111043	E04457	1	Starter rope Ø 4
4	G00003017	E04204	1	Claw recoil spring (3 Stk.)
5	G00111044	E04205	1	Claw (3 Stk.)
6	G07865019	E07723	1	Feather key (4 Stk.)
7	G00008196	E12387	1	Vibration damper
8	G60026011	G60026011	1	Protection skirt

# Drive



## Drive

Item	Part-No.		Quantity	Description
9	G00007042	E06037	3	Selflocking nut with serrated bearing (3
45	G07861005	E07877	1	Disc (2 Stk.)
52	G00026006	E07956	1	Cable tape (4 Stk.)
94	G07837016	E03901	1	Hexagon screw (5 Stk.)
117	G00002028	E05647	1	Draw spring
118	G00010130	E11606	1	Special disc
119	G07856010	E04337	1	Disc spring (5 Stk.)
133	G00010137	E13008	2	Thrust washer
137	G07823016	E07209	1	Circlip for drilled hole (2 Stk.)
138	G07830047	E12509	1	Deep groove ball bearing
169	G00020182	G00020182	1	Drive cable
172	G00020180	G00020180	1	Brake cable
179	G00020179	G00020179	1	Vario cable
184	G07878011	E05900	3	Raised cross-head screw (5 Stk.)
185	G04830003	E10444	1	Transmission cover
186	G00006058	E10449	1	Gasket
187	G07830017	E04683	4	Deep groove ball bearing
188	G60030012	G60030012	1	Worm shaft
189	G04830002	E10443	1	Transmission housing
190	G07853020	E04322	1	Spring pin (10 Stk.)
191	G60030011	G60030011	1	Worm wheel
192	G60030014	G60030014	1	Worm wheel shaft
193	G00028004	E04319	1	Bearing bush
194	G07823001	E01811	2	Circlip for drilled hole (2 Stk.)
195	G07858013	E10447	2	Shaft seal ring
196	G60030013	G60030013	1	Transmission total
197	G00010065	E04663	4	Disc (3 Stk.)
198	G53125006	E12358	1	Belt pulley
199	G07880004	E03914	2	Disc (20 Stk.)
201	G60025007	G60025007	1	Belt pulley total
202	G00007087	G00007087	4	Connection nut (10 Stk.)
203	G60026006	G60026006	1	Cover
204	G00007089	G00007089	4	Connection nut (10 Stk.)
205	G07837039	E04889	4	Hexagon screw (5 Stk.)
206	G60025014	G60025014	1	Spacer sleeve
207	G07830031	E07211	2	Deep groove ball bearing
208	G60025006	G60025006	1	Vario lever
209	G00024071	G00024071	1	Sleeve
210	G06525056	E07891	1	Tension pulley
211	G06525063	E07208	1	Tension pulley with ball bearing
212	G00009069	E06613	1	Raised-head shouldered screw (2 Stk.)
213	G07857053	G07857053	1	V-belt
214	G60034006	G60034006	1	Brake lever bearing
215	G00009031	E05451	1	Countersunk Torx screw (3 Stk.)
216	G00028008	E06538	1	DU bush
217	G60034005	G60034005	1	Sleeve
218	G60080003	G60080003	1	Brake lever with lining

**Drive** Page 2

Item	Part-No.		Quantity	Description
219	G07833013	E05657	1	Hexagon socket head cap screw (3 Stk.)
220	G07857041	E10414	1	High performance V-belt
221	G60034004	G60034004	1	Brake lever+brake lining+sleeve
222	G00007083	E13024	1	Box nut
223	G60026001	G60026001	1	Belt protection
224	G00009180	E13119	3	Rounded head screw with inside Torx
225	G00012027	E08451	1	Bolt for anti-folding mechanism
226	G07838047	E05320	1	Hexagon screw (10 Stk.)
227	G07810004	E06262	1	Disc (5 Stk.)
228	G60025020	G60025020	1	Belt tensioner
229	G07830012	E04329	1	Deep groove ball bearing
230	G00007079	E12369	1	Special nut
231	G00002080	G00002080	1	Draw spring
232	G07809006	E01940	1	Disc (10 Stk.)
233	G00027016	E08452	1	Anti-folding mechanism (5 Stk.)
234	G53125004	E12357	1	Bearing bolt
235	G00002079	G00002079	1	Draw spring
252	G00009094	E07247	2	Locking screw (2 Stk.)

# Instruction plate – set



## Instruction plate – set

<b>Item</b>	<b>Part-No.</b>		<b>Quantity</b>	<b>Description</b>
378	G60080008	G60080008	1	Instruction plate V set AS 63 and AS

# Proposal for wear parts list

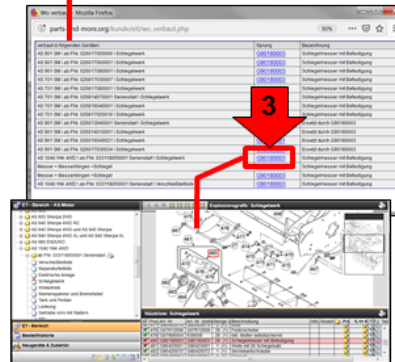
Pos	Art.-Nr.	Art.-Nr. (bisher)	Menge (min.)	Beschreibung	Info	Modell	Preis	% => €	Tech-Info
1	G90180003	G90180003	28 (1)	Schliessmesser mit Befestigung					bearbeiten
2	G07857057	G07857057	1 (1)	Keilriemen					bearbeiten
3	G07857056	G07857056	1 (1)	Keilriemen					bearbeiten
4	G07857035	E08304	1 (1)	Hochleistungskeilriemen					bearbeiten
5	G90434006	G90434008	1 (1)	Bremsbelaghalter mit Bremsbelag					bearbeiten
6	G00041054	E12381	1 (10)	2xSL Kanister Öl Titan Supersyn SAE5W-50					bearbeiten
7	G00006067	G00006067	1 (1)	O-Ring					bearbeiten
8	G06990016	E11741	1 (1)	Dichtscheibe 10					bearbeiten
9	G06980002	E11530	1 (1)	Ölfilter+Deckel+Dichtungen					bearbeiten
10	G00006066	G00006066	1 (1)	O-Ring					bearbeiten

**1 → Alle Artikel in den Warenkorb legen / Put all items in the cart / Mettre tous les articles dans le panier / Pon todos los artículos en el carrito / Поместить все запасные части в корзину**

Bei Bedarf Artikel in der Zeichnung ansehen / If necessary, see the article in the drawing / Si nécessaire, regarder l'article dans l'éclaté / Si es necesario, ver el artículo en el dibujo / При необходимости см. запасную часть на чертеже:

**2 → Klick auf Fernglas / Click on binoculars / Cliquez sur les jumelles / Haga clic en binoculares / Нажмите на бинокль**

**3 → Klick auf Artikel-Nummer bei Gerätemodell / Click on item number at according device model / Cliquez sur le numéro de pièce dans le modèle d'appareil / Haga clic en el número de artículo en el modelo de máquina / Нажмите на номер товара для модели устройства**

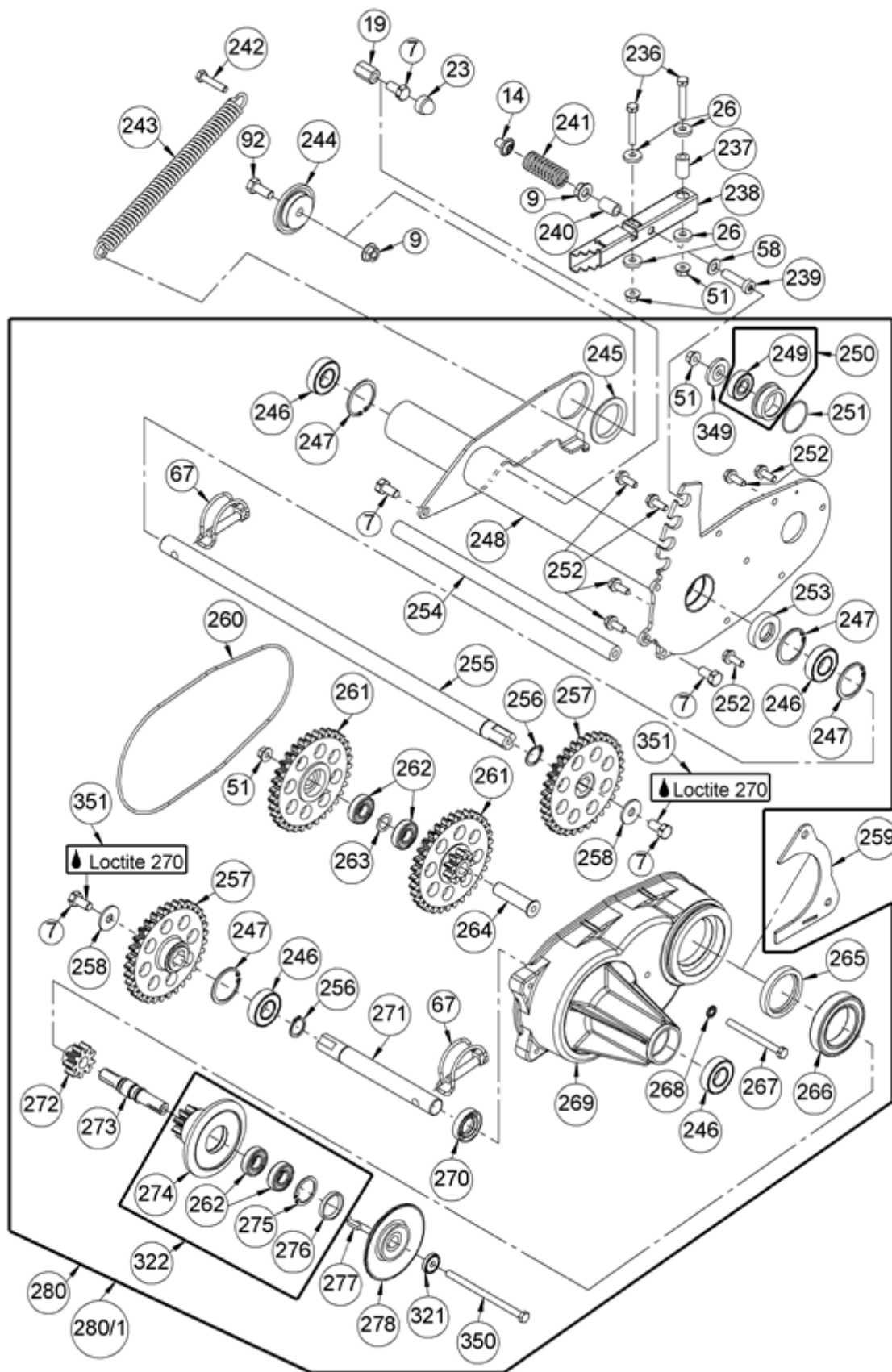


## Proposal for wear parts list

Item	Part-No.		Quantity	Description
1	G00104031	G00104031	1	Spark plug
2	G06350106	E07545	1	Filter insert
3	G60080002	g07399004	1	Blade + 2 screws
4	G60080001	G60080001	1	Blade + 3 screws
5	G07857054	G07857054	1	V-belt
6	G60034007	G60034007	1	Brake lever+brake lining+bearing
7	G00020182	G00020182	1	Drive cable
8	G00020179	G00020179	1	Vario cable
9	G00020181	G00020181	1	Blade clutch cable
10	G00020180	G00020180	1	Brake cable
11	G07857053	G07857053	1	V-belt
12	G07857041	E10414	1	High performance V-belt
13	G00020184	G00020184	1	Throttle cable 2T




# Wheel gear



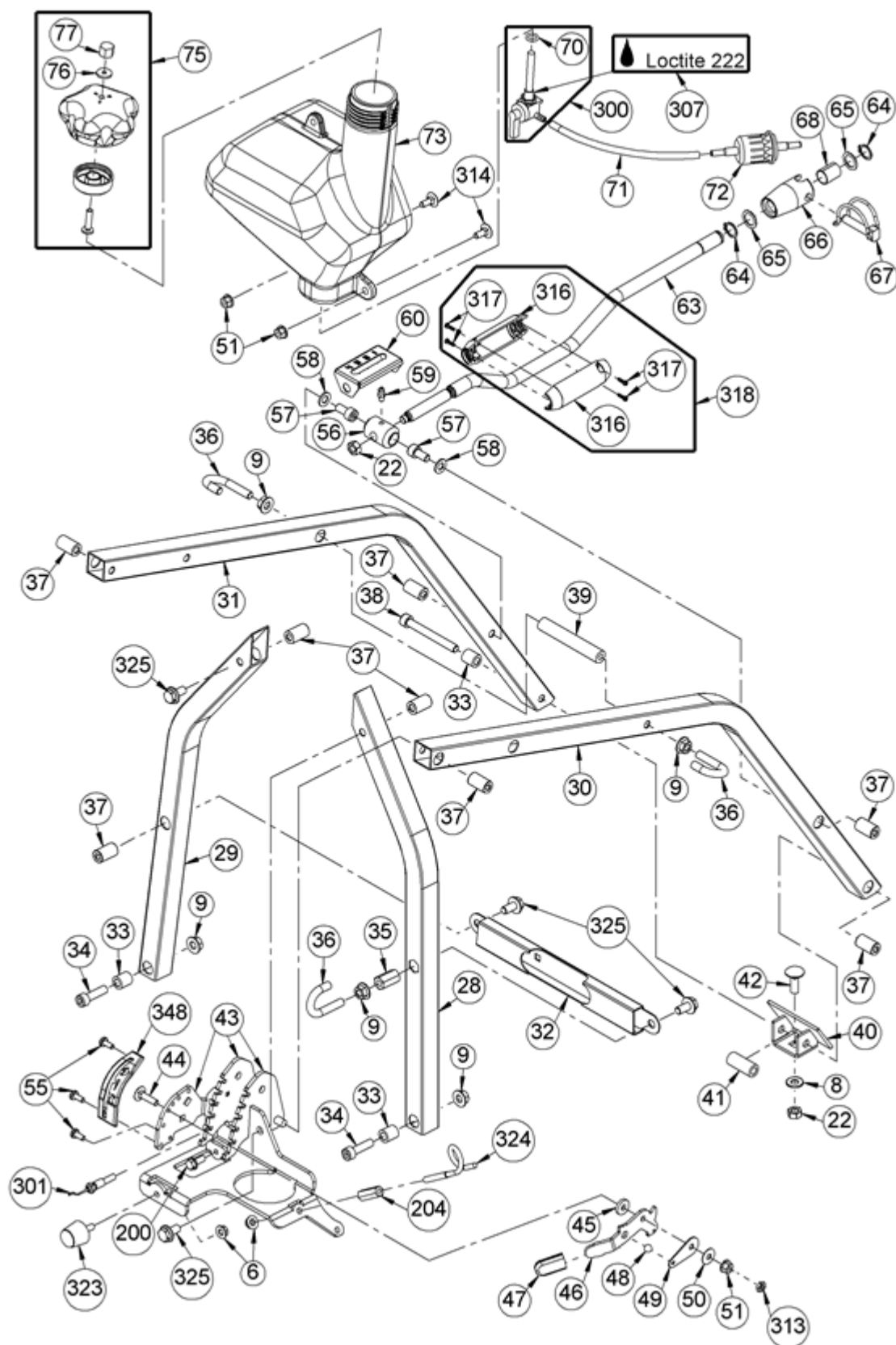
## Wheel gear

Item	Part-No.		Quantity	Description
7	G07838026	E03932	5	Hexagon screw (10 Stk.)
9	G00007042	E06037	2	Selflocking nut with serrated bearing (3
14	G00009174	E12496	1	Dome head screw with Torx (10 Stk.)
19	G00007061	E10018	1	Connection nut
23	G00029021	E10399	1	Sealing cap
26	G07902005	G07902005	4	Disc (10 Stk.)
51	G07937001	E12459	4	Hex nut (10 Stk.)
58	G07809004	E01905	1	Disc (20 Stk.)
67	G00027015	E07881	2	Tube linchpin
92	G07838028	E03938	1	Hexagon screw (10 Stk.)
236	G07837024	E04058	2	Hexagon screw (10 Stk.)
237	G00024034	G00024034	1	Spacer sleeve
238	G60022001	G60022001	1	Adjustment rod
239	G00009082	E06651	1	Inside Torx screw (2 Stk.)
240	G00024067	G00024067	1	Sleeve
241	G00001084	E08246	1	Pressure spring
242	G07838027	E03933	1	Hexagon screw (10 Stk.)
243	G00002077	G00002077	1	Draw spring
244	G60020018	G60020018	1	Bearing washer
245	G00028048	E10433	1	Friction bearing with collar
246	G07830033	E07637	4	Deep groove ball bearing
247	G07823011	E04330	4	Circlip for drilled hole (5 Stk.)
248	G60020001	G60020001	1	Wheel swinging arm total
249	G07830050	E12505	1	Deep groove ball bearing
250	G60030016	G60030016	1	Bearing sleeve with ball bearing
251	G00006063	G00006063	1	O-ring (10 Stk.)
252	G00009094	E07247	7	Locking screw (2 Stk.)
253	G07858024	G07858024	1	Shaft seal ring
254	G60020009	G60020009	1	Strut
255	G60030010	G60030010	1	Wheel shaft
256	G07822016	E08664	2	Circlip for shaft
257	G60030002	G60030002	2	Pinion 33 teeth
258	G07880006	E03957	2	Disc (20 Stk.)
259	G60020022	G60020022	1	Circlip
260	G00006064	G00006064	1	O-ring
261	G60030001	G60030001	2	Double gear
262	G07830013	E04331	4	Deep groove ball bearing
263	G07847042	E06722	1	Shim (5 Stk.)
264	G60030005	G60030005	1	Gear axis
265	G07858025	G07858025	1	Shaft seal ring
266	G07830053	G07830053	1	Deep groove ball bearing
267	G07837029	E04485	1	Hexagon screw (5 Stk.)
268	G00042006	E05862	1	Detent edge disc (5 Stk.)
269	G60030004	G60030004	1	Housing
270	G07858023	G07858023	1	Shaft seal ring
271	G60030008	G60030008	1	Wheel shaft
272	G60030007	G60030007	1	Pinion

Wheel gear Page 2

Item	Part-No.		Quantity	Description
273	G60025002	G60025002	1	Shaft
274	<del>G60030006</del>	<del>G60030006</del>	1	Replaced by G60030019
	G60030019	G60030019	1	Zahnrad 9z
275	G07823023	G07823023	1	Circlip for drilled hole
276	G00037012	G00037012	1	Shaft seal ring
277	G07865001	E01802	1	Feather key (4 Stk.)
278	G60025003	G60025003	1	Belt pulley half
280	G60030015	G60030015	1	Wheel gear total
280/1	G60050010	G60050010	1	Wheel gear (overhauled)
321	G60030017	G60030017	1	Disc
322	G60080005	G60080005	1	Gear wheel with ball bearing
349	G60030018	G60030018	1	Sealing disc
350	G07837097	G07837097	1	Hexagon screw
351	G00041008	E04721	1	LOCTITE 270 (50 ml)

# Strut



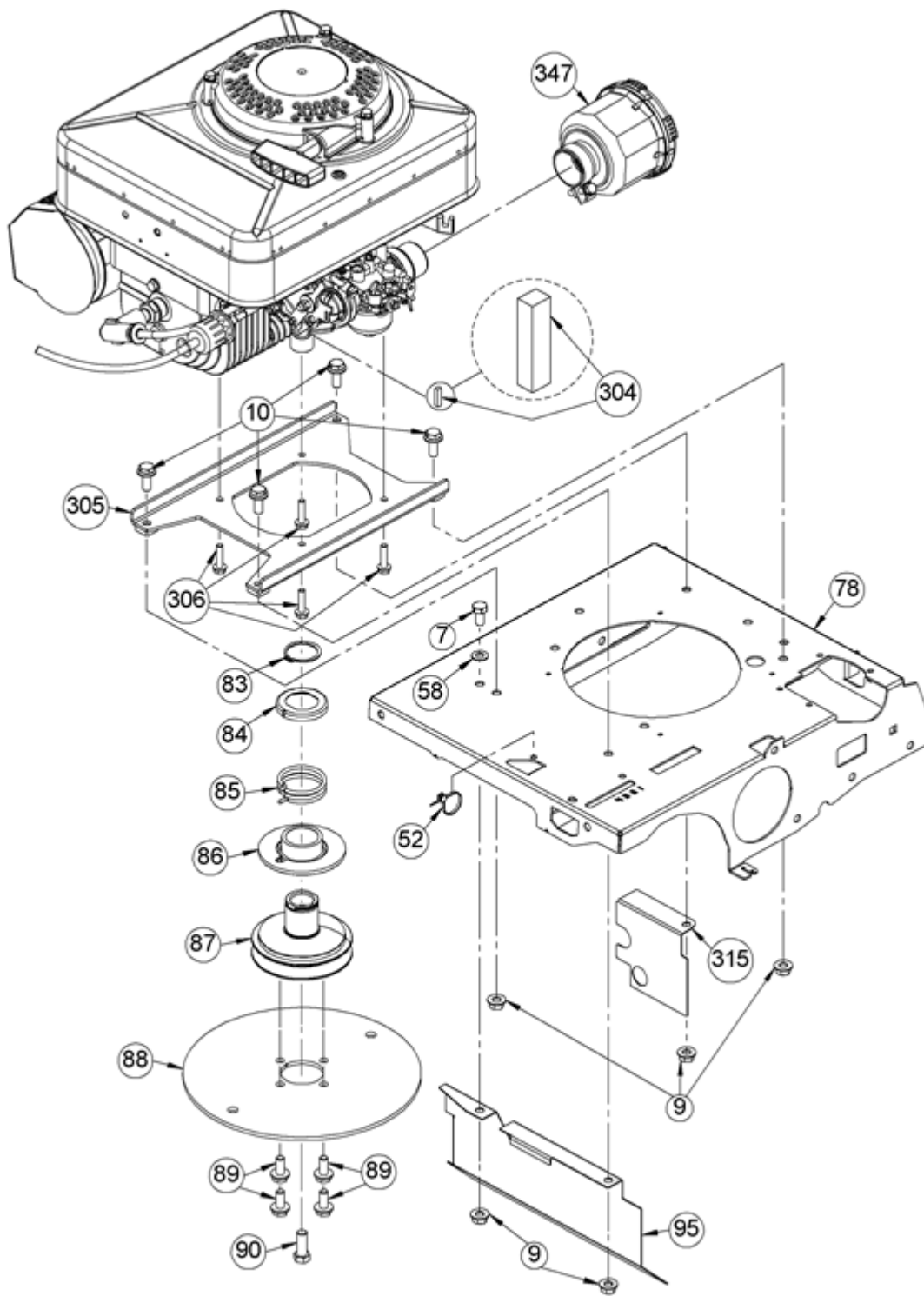
## Strut

Item	Part-No.		Quantity	Description
6	G00007041	E05975	2	Selflocking nut with serrated bearing (5
8	G00042012	E07132	1	Detent edge disc (4 Stk.)
9	G00007042	E06037	5	Selflocking nut with serrated bearing (3
22	G07839003	E01906	2	Hex nut (10 Stk.)
28	G60022004	G60022004	1	Bar right side (back)
29	G60022005	G60022005	1	Bar left side (back)
30	G60022006	G60022006	1	Bar right side (front)
31	G60022007	G60022007	1	Bar left side (front)
32	G60022020	G60022020	1	Tank holder
33	G00024066	G00024066	3	Sleeve
34	G07833049	G07833049	2	Hexagon socket head cap screw (2 Stk.)
35	G07908002	E12692	2	Hex nut (10 Stk.)
36	G00005047	G00005047	3	Hook (3 Stk.)
37	G00007085	G00007085	8	Special nut
38	G07833050	G07833050	1	Hexagon socket head cap screw
39	G00007088	G00007088	1	Connection nut
40	G60020015	G60020015	1	Angle
41	G00024070	G00024070	1	Sleeve
42	G07827009	E05869	1	Mushroom head square neck bolt (3 Stk.)
43	G60022013	G60022013	1	Notch plate
44	G07827002	E03524	1	Mushroom head square neck bolt (5 Stk.)
45	G07861005	E07877	1	Disc (2 Stk.)
46	G60022046	G60022046	1	Accelerator lever
47	G00029024	E10779	1	PVC cap
48	G07904006	G07904006	1	Ball (10 Stk.)
49	G60022050	G60022050	1	Spring
50	G00033024	E08861	1	Disc spring
51	G07937001	E12459	4	Hex nut (10 Stk.)
55	G00009128	E10373	2	Self-tapping Torx screw (10 Stk.)
56	G60022024	G60022024	1	Joint nut
57	G07833011	E05458	2	Hexagon socket head cap screw (5 Stk.)
58	G07809004	E01905	2	Disc (20 Stk.)
59	G07903002	E05868	1	Lubricating nipple (3 Stk.)
60	G60022027	G60022027	1	Angle
63	G60022029	G60022029	1	Crank
64	G07822024	E12283	2	Circlip for shaft
65	G07847059	G07847059	2	Shim (10 Stk.)
66	G60022026	G60022026	1	Fork head
67	G00027015	E07881	1	Tube linchpin
68	G00028034	E07919	1	DU bush
70	G00006032	E02412	1	O-ring (2 Stk.)
71	G00150085	E04585	1	Fuel hose 1 metre
72	G00023004	E12374	1	Filter
73	G04806001	E11922	1	Tank
74	G07827023	E11895	1	Mushroom head square neck bolt (10 Stk.)
75	G06306007	E04783	1	Tank cap total
76	G00019051	E05246	1	Sealing disc (5 Stk.)

**Strut** Page 2

Item	Part-No.		Quantity	Description
77	G00007033	E05247	1	Hexagon cap nut
200	G00009024	E04519	1	Self-tapping screw (3 Stk.)
204	G00007089	G00007089	1	Connection nut (10 Stk.)
300	G00022017	G00022017	1	Fuel valve with gasket
301	G00020184	G00020184	1	Throttle cable 2T
307	G00041019	E04719	1	LOCTITE 222 (50 ml)
313	G07818004	E03917	1	Hex nut (10 Stk.)
314	G07827003	E04262	2	Mushroom head square neck bolt (5 Stk.)
316	G60022051	G60022051	2	Handle
317	G00009184	G00009184	4	Raised cross-head screw (10 Stk.)
318	G60080004	G60080004	1	Handle with screw
323	G00008061	E04597	1	Stop buffer
324	G00005038	E06864	1	Handle holder
325	G00009189	G00009189	4	Hexagon screw with serration (5 Stk.)
348	G60022061	G60022061	1	Throttle controll

# Motor

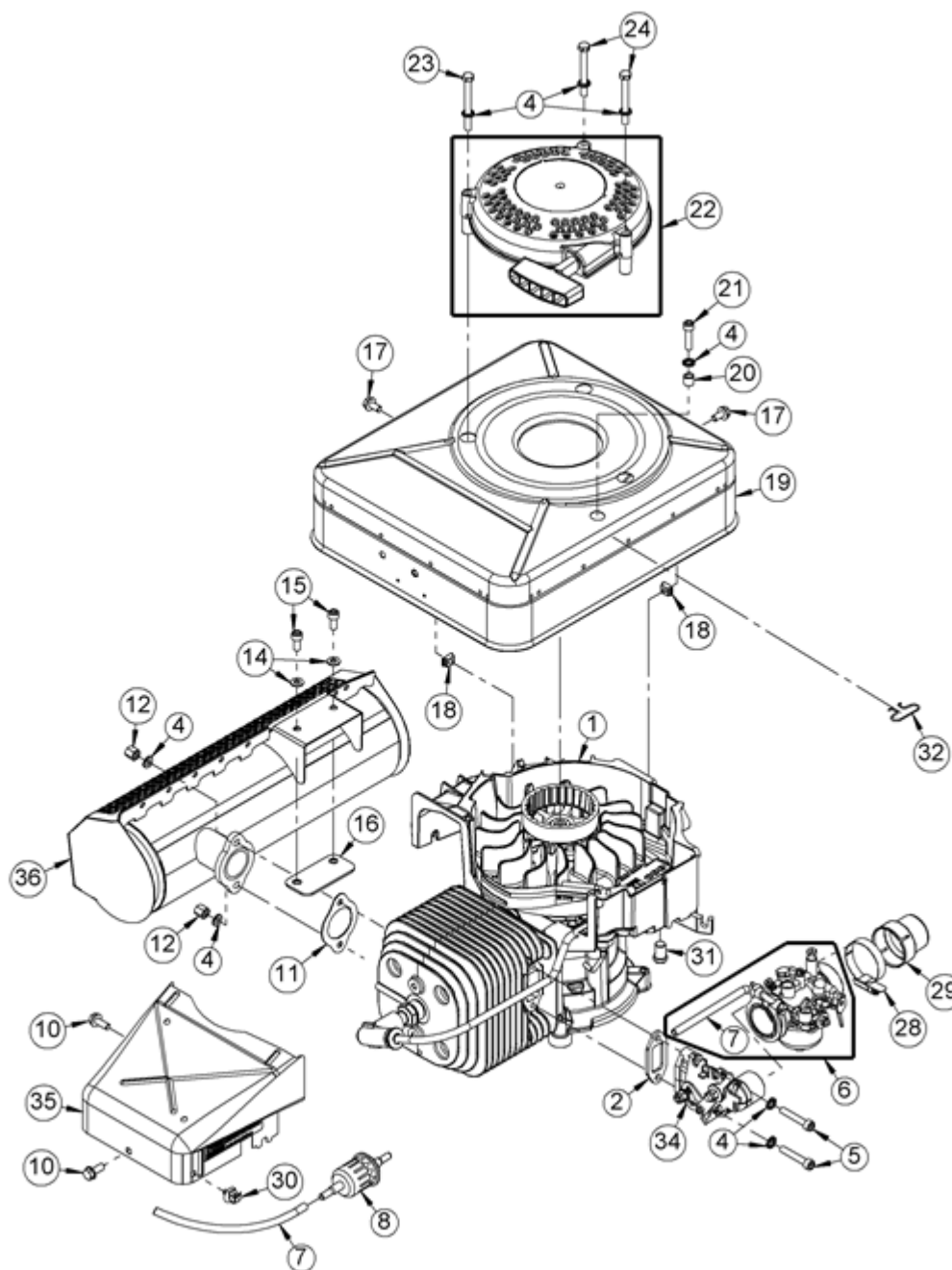


## Motor

Item	Part-No.		Quantity	Description
7	G07838026	E03932	1	Hexagon screw (10 Stk.)
9	G00007042	E06037	5	Selflocking nut with serrated bearing (3
10	G00009108	E08177	4	Hexagon screw with serration (3 Stk.)
52	G00026006	E07956	1	Cable tape (4 Stk.)
58	G07809004	E01905	1	Disc (20 Stk.)
78	G60020013	G60020013	1	Engine mount total
78	G60020035	G60020035	1	Engine mount total
83	G07822010	E06311	1	Circlip for shaft (2 Stk.)
84	G53125011	E12362	1	Pot for spring
85	G00001094	G00001094	1	Pressure spring
86	G60025023	G60025023	1	Vario disc
87	G60025011	G60025011	1	Engine hub
88	G60025012	G60025012	1	Flywheel
89	G00009146	E10417	4	Locking screw (4 Stk.)
90	G00009109	E08269	1	Inch screw
95	G60026009	G60026009	1	Access protection
304	G07865027	E10595	1	Feather key (2 Stk.)
305	G60020020	G60020020	1	Engine plate
306	G07913012	E11920	4	Screw (4 Stk.)
315	G60026016	G60026016	1	Wind cowl
347	G00605054	G00605054	1	Air filter total level V



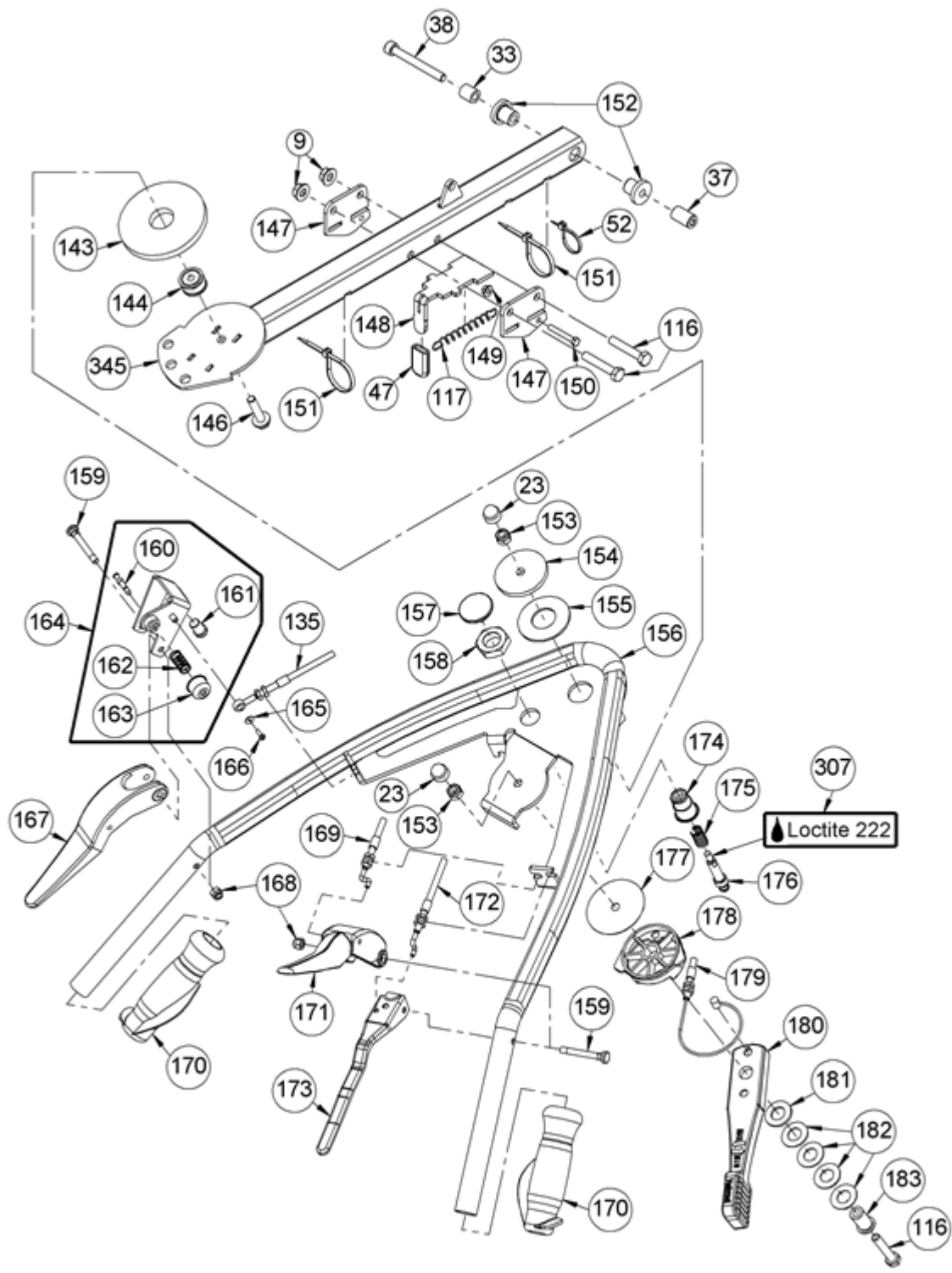
# Drive block



## Drive block

Item	Part-No.		Quantity	Description
1	G00680079	G00680079	1	Bare engine PLUS
2	G00105038	E03487	1	Insulating plate
4	G00042006	E05862	8	Detent edge disc (5 Stk.)
5	G07833009	E04934	2	Hexagon socket head cap screw (3 Stk.)
6	G00105097	G00105097	1	Carburetor with hose
7	G00150085	E04585	1	Fuel hose 1 metre
8	G00023004	E12374	1	Filter
10	G07913004	E10189	2	Hexagon screw with flange
11	G00109003	E03366	1	Exhaust gasket
12	G00007025	E03706	2	Special nut (10 Stk.)
14	G07809006	E01940	2	Disc (10 Stk.)
15	G07833042	E11516	2	Hexagon socket head cap screw (10 Stk.)
16	G00109071	E11794	1	Threaded plate
17	G07913008	E10836	2	Flange screw (20 Stk.)
18	G00007047	E06934	2	Punch and press-in nut (4 Stk.)
19	G00110031	G00110031	1	Engine cover
20	G00110013	E03699	1	Spacer sleeve (5 Stk.)
21	G07833007	E04854	1	Hexagon socket head cap screw (4 Stk.)
22	G00180086	E10820	1	Starter total + SK plate
23	G07837025	E04227	1	Hexagon screw
24	G07837014	E03744	2	Hexagon screw (5 Stk.)
28	G00034013	E04242	1	Hose clamp
29	G00605004	E04241	1	Adapter for silencer
30	G00026044	E10788	1	Cable holder (2 Stk.)
31	G00008125	E10371	1	Rubber buffer (2 Stk.)
32	G00005028	E04903	1	Cable holder
34	G00105096	E12481	1	Intake manifold with deflection lever
35	G00107039	E90008	1	Kühlluftführung
36	G00109115	E13123	1	Catalyst exhaust

# Handlebar and tie rod



## Handlebar and tie rod

Item	Part-No.		Quantity	Description
9	G00007042	E06037	2	Selflocking nut with serrated bearing (3
23	G00029021	E10399	2	Sealing cap
33	G00024066	G00024066	1	Sleeve
37	G00007085	G00007085	1	Special nut
38	G07833050	G07833050	1	Hexagon socket head cap screw
47	G00029024	E10779	1	PVC cap
52	G00026006	E07956	1	Cable tape (4 Stk.)
116	G07837018	E03905	3	Hexagon screw (3 Stk.)
117	G00002028	E05647	1	Draw spring
135	G00020181	G00020181	1	Blade clutch cable
143	G00008196	E12387	1	Vibration damper
144	G00024061	E12370	1	Sleeve
146	G00009182	G00009182	1	Locking screw
147	G60022017	G60022017	2	Guide
148	G60022014	G60022014	1	Locking bolt
149	G07932002	E12500	1	Hex nut (10 Stk.)
150	G07838054	E05718	1	Hexagon screw (3 Stk.)
151	G00026031	E12218	2	Cable tape (5 Stk.)
152	G60020016	G60020016	2	Sleeve
153	G07918002	E07669	2	Self-locking hex nut (2 Stk.)
154	G00010134	E12460	1	Disc
155	G00019059	E10016	1	Slide washer (2 Stk.)
156	G60022031	G60022031	1	Handlebar
157	G00008202	G00008202	1	Handle
158	G07841007	G07841007	1	Hex nut
159	G60022033	G60022033	2	Screw
160	G60022037	G60022037	1	Stop bolt
161	G00008125	E10371	1	Rubber buffer (2 Stk.)
162	G00001069	E05810	1	Pressure spring (5 Stk.)
163	G06322233	E05808	1	Cap
164	G60022038	G60022038	1	Notch lever
165	G07880009	E07936	1	Disc (5 Stk.)
166	G07878017	E07937	1	Raised cross-head screw (5 Stk.)
167	G06122125	E06050	1	Hand lever
168	G07846008	E03829	2	Self-locking hex nut (10 Stk.)
169	G00020182	G00020182	1	Drive cable
170	G00008070	E04813	2	Handlebar grip (left + right = 2 grips)
171	G60022045	G60022045	1	Hand lever
172	G00020180	G00020180	1	Brake cable
173	G60022043	G60022043	1	Hand lever
174	G53122033	G53122033	1	Sleeve
175	G00001096	G00001096	1	Pressure spring
176	G53122034	G53122034	1	Stop bolt
177	G00010142	G00010142	1	Disc
178	G04322050	E05783	1	Adjusting disc
179	G00020179	G00020179	1	Vario cable
180	G04322055	E05784	1	Adjusting lever

## Handlebar and tie rod Page 2

Item	Part-No.		Quantity	Description
181	G07809010	E03592	1	Disc (10 Stk.)
182	G07856006	E03319	4	Disc spring (10 Stk.)
183	G60022032	G60022032	1	Sleeve
307	G00041019	E04719	1	LOCTITE 222 (50 ml)
345	G60022058	G60022058	1	Upper strut total

