

[Print spare parts list](#)

Ersatzteile

AS 920 Sherpa 2WD B&S
- from serial No. 039123030001

Seriennummer, Сериен номер, Sériové číslo, Serial number, Número de serie, Sarjanumero, Numéro de série, Serijski broj, Sorozatszám, Numero di serie, Serijos numeris, Seriennummer, Numer seryjny, Serijska številka

DE Hier Aufkleber aus Garantiekarte aufkleben.
BG Залепете тук стикери от гаранционната Карта.
CZ Sem nalepte nálepku ze záručního listu.
DK Her skal maerkaten fra garantikortet klaebes på.
GB Please adhere the sticker from the warranty card here.
ES Pegar aquí el adhesivo de la tarjeta de garantía.
FI Liimaa takuukortin tarra tähän.
FR Collez ici l'autocollant placé sur la carte de garantie .
HR Ovdje zalijepite naljepnicu iz jamstvenog lista.

HU Ide ragassza a matricát a garanciakártyából.
IT Applicare qui l'etichetta, come scheda di garanzia.
LT Čia užklijuokite garantijos pase pateiktą lipduką.
NL Plak hier sticker uit garantiekaart.
NO Lim klistremerke fra garantikortet inn her.
PL Tutaj nakleić naklejkę na kartę gwarancyjną.
SL Tukaj nalepite nalepko z garancijskega lista.
SE Klistra fast etiketten från garantikortet här.

Ab Serien Nr.: from serial No. 039123030001

Ausgabe: 13.09.2024, EN

AS-Motor GmbH
Eilwanger Straße 15
D-74424 Bühlertann
Telefon 07973-9123-0
Telefax 07973-9123-259
www.as-motor.de

If you need spare parts:

1. Send your order to your AS-Motor dealer.
2. In order to get you the right spare part he needs:

- **Model name (s. sticker on the machine)**
- **Serial No. of machine (sticker or S/N lable)**
- **Articlenumber**
- **Your dealer orders part in our online system parts and more.**

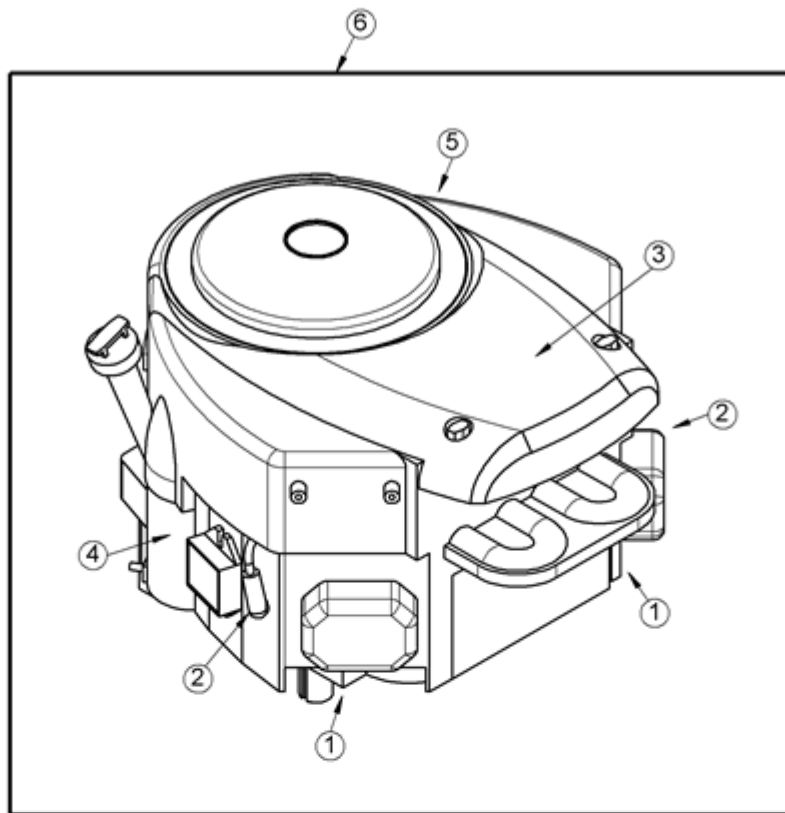
Only in this case you receive all important information about proper spare parts and possible technical changes.

Please fulfil only maintenance tasks mentioned in the owner manual by yourself. All other tasks have to be done by authorised AS-Motor dealer.

Subject to change without notice.

Images may show differences from the machines in production.

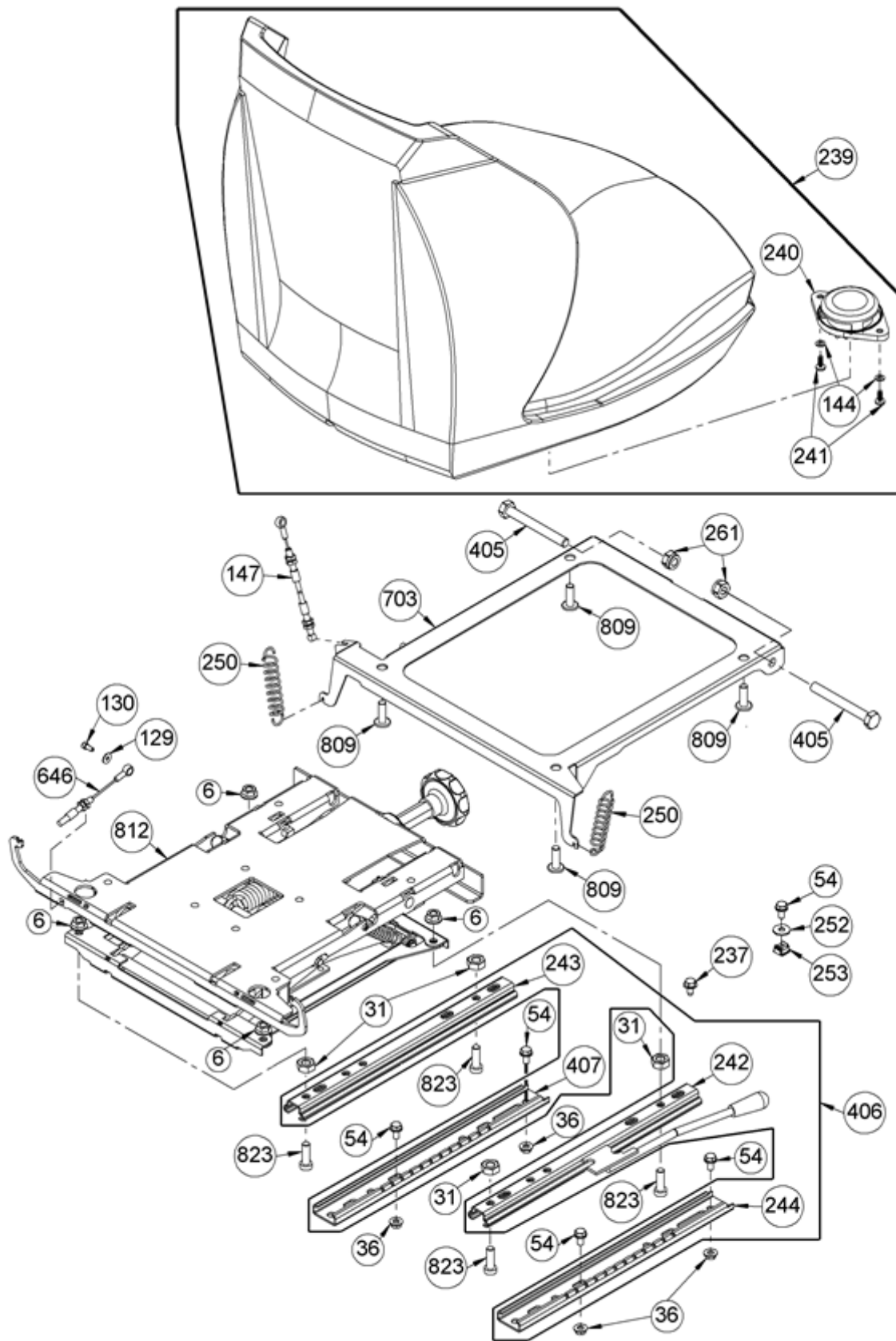
Engine



Engine

Item	Part-No.		Quantity	Description
1	G00019062	E11723	2	Exhaust gasket
2	G00550017	G00550017	2	Spark plug
3	G00550030	G00550030	1	Air filter
4	G00550028	G00550028	1	Electric starter
5	G00550022	G00550022	1	Oil filter
6	G00501031	E11541	1	Engine B&S ELS 27HP

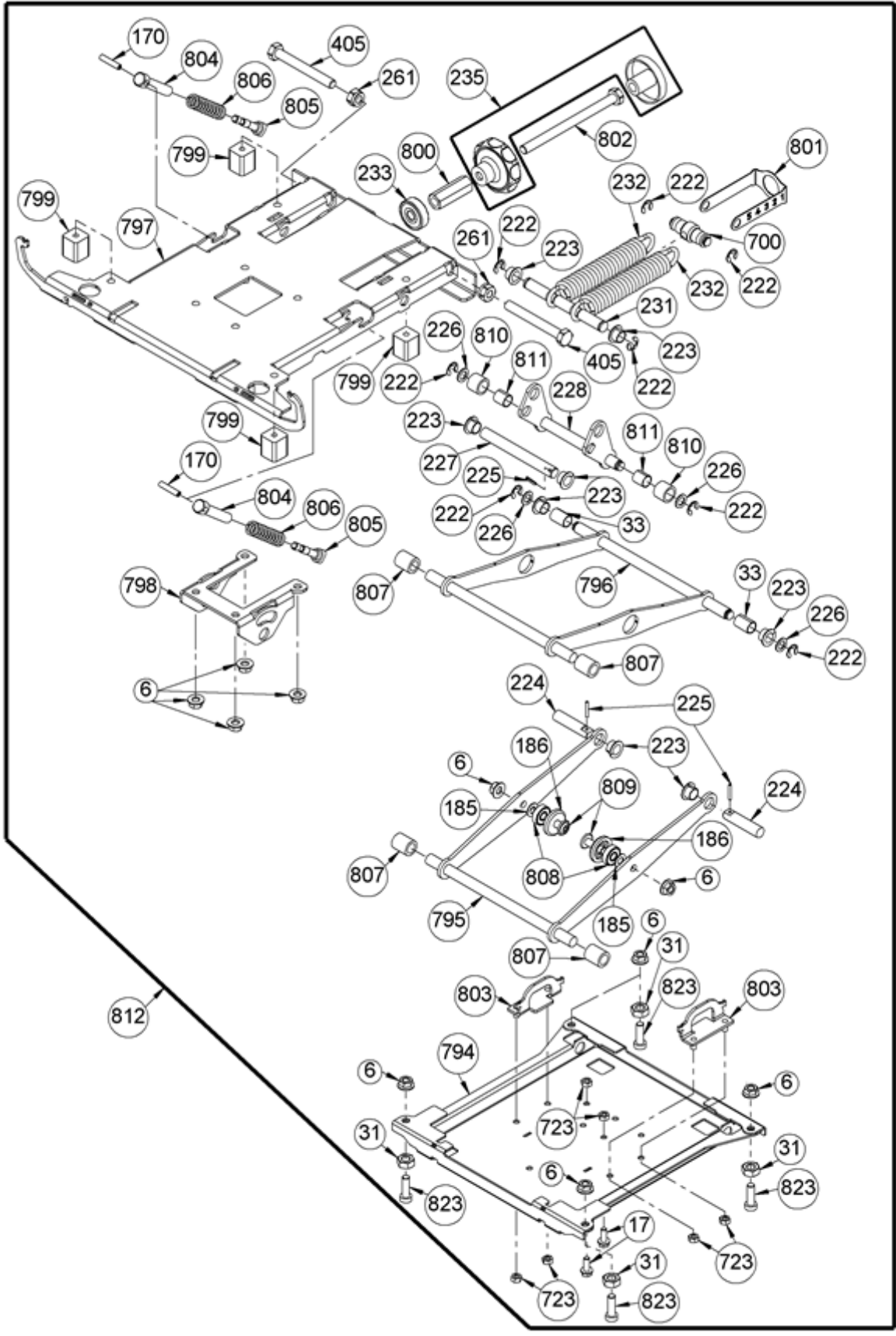
Seat



Seat

Item	Part-No.		Quantity	Description
6	G00007042	E06037	4	Selflocking nut with serrated bearing (3
31	G07839008	E01953	4	Hex nut (10 Stk.)
36	G00007041	E05975	4	Selflocking nut with serrated bearing (5
54	G00009016	E04631	5	Hexagon screw with serration (5 Stk.)
129	G07880005	E03948	1	Disc (20 Stk.)
130	G07833029	E08544	1	Hexagon socket head cap screw (5 Stk.)
144	G07809006	E01940	2	Disc (10 Stk.)
147	G00020166	E11524	1	Tow line
237	G07890033	G07890033	1	Self-tapping Torx screw
239	G06920073	E11660	1	Seat + switch without rails
240	G06650532	E08160	1	Seat contact switch
241	G07875018	E07950	2	Raised cross-head sheet metal screw (5 S
242	G06920084	E11662	1	Rail with adjusting lever
243	G06920085	E11661	1	Inside rail
244	G06920086	E11778	1	Outside rail with arrestor
250	G00002070	E11730	2	Draw spring
252	G07880004	E03914	1	Disc (20 Stk.)
253	G00007046	E06672	1	Box nut (2 Stk.)
261	G07846005	E01968	2	Self-locking hex nut (10 Stk.)
405	G07837055	E06661	2	Hexagon screw
406	G06920083	E11781	1	Adjusting rails (1 set)
407	G06920087	E11663	1	Outside rail
646	G00020191	G00020191	1	Bowden cable parking brake
703	G06920099	G06920099	1	Seat plate
809	G00009196	G00009196	4	Raised-head shouldered screw
812	G06980050	G06980050	1	Seat suspension total
823	G00009043	E05833	4	Cylinder screw (4 Stk.)

Seat suspension



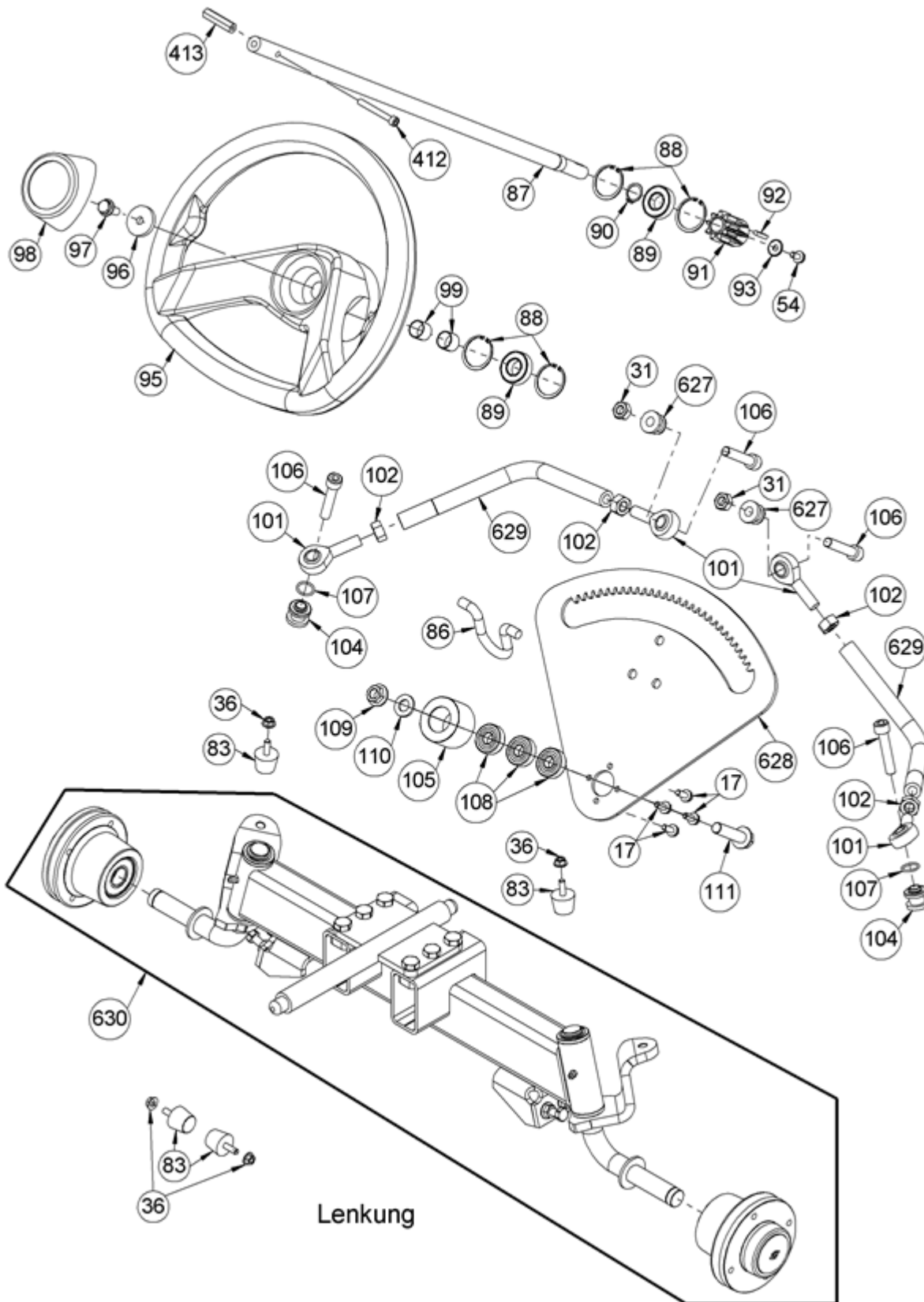
Seat suspension

Item	Part-No.		Quantity	Description
6	G00007042	E06037	10	Selflocking nut with serrated bearing (3
17	G00009094	E07247	2	Locking screw (2 Stk.)
31	G07839008	E01953	4	Hex nut (10 Stk.)
33	G00028027	E06473	2	DU bush
170	G07853035	E06617	2	Spring pin (2 Stk.)
185	G07856010	E04337	2	Disc spring (5 Stk.)
186	G06822031	E08449	2	Bearing washer
222	G07864002	E03136	8	Lock washer (20 Stk.)
223	G00028026	E06508	8	DU flanged bush
224	G06920055	E11653	2	Joint bolt short
225	G07853002	E01974	3	Spring pin (20 Stk.)
226	G07847008	E02649	4	Supporting disc (5 Stk.)
227	G06920058	E11654	1	Joint bolt long
228	G06920052	E11651	1	Spring lever
231	G06920054	E11652	1	Spring bolt
232	G00002068	E11650	2	Draw spring
233	G07830012	E04329	1	Deep groove ball bearing
235	G00009158	E11658	1	Star knob screw
261	G07846005	E01968	2	Self-locking hex nut (10 Stk.)
405	G07837055	E06661	2	Hexagon screw
700	G06920060	E11656	1	Draw spring bolt
723	G07839014	E03915	6	Hex nut (20 Stk.)
794	G90420084	G90420084	1	Plate bottom
795	G90420092	G90420092	1	Lever outer
796	G90420089	G90420089	1	Lever inner
797	G06920112	G06920112	1	Plate top
798	G90420087	G90420087	1	Spring bracket
799	G90420083	G90420083	4	Damper
800	G00007092	G00007092	1	Connection nut
801	G90420088	G90420088	1	Scale
802	G07838094	G07838094	1	Hexagon screw
803	G90420097	G90420097	2	Angle
804	G90420094	G90420094	2	Sleeve
805	G90420093	G90420093	2	Spring bolt
806	G00001097	G00001097	2	Pressure spring
807	G00028077	G00028077	4	Friction bearing
808	G07830055	G07830055	2	Deep groove ball bearing
809	G00009196	G00009196	2	Raised-head shouldered screw
810	G90420077	G90420077	2	Role
811	G00028075	G00028075	2	DU bush
812	G06980050	G06980050	1	Seat suspension total
823	G00009043	E05833	4	Cylinder screw (4 Stk.)

Protector cloth for Blade cover

Item	Part-No.		Quantity	Description
36	G00007041	E05975	2	Selflocking nut with serrated bearing (5
83	G00008061	E04597	2	Stop buffer
161	G07926001	E08403	20	Disc (4 Stk.)
195	G07906002	E06667	6	Self-locking hex nut (10 Stk.)
249	G07846001	E01912	11	Self-locking hex nut (10 Stk.)
295	G07827003	E04262	4	Mushroom head square neck bolt (5 Stk.)
303	G07837005	E03142	9	Hexagon screw (4 Stk.)
355	G06926010	E11711	1	Protection skirt tube
356	G06920033	E11712	2	Angle
357	G07827018	E08387	2	Mushroom head square neck bolt (10 Stk.)
358	G06926012	E11019	1	Protection skirt
359	G06820018	E08471	1	Rubber bar
360	G00008139	E11713	1	Ejector rubber
415	G07827010	E05367	2	Mushroom head square neck bolt (5 Stk.)

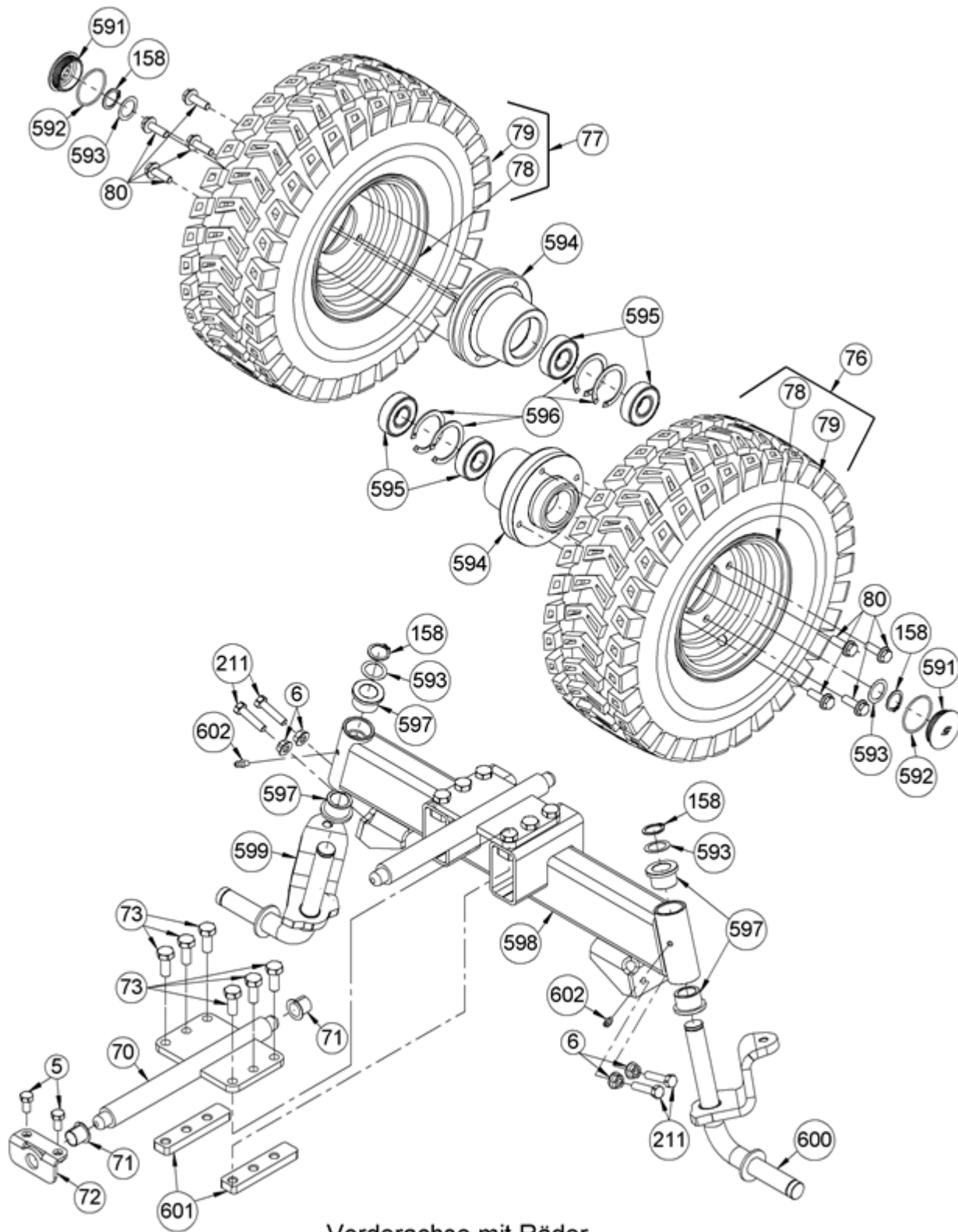
Steering



Steering

Item	Part-No.		Quantity	Description
17	G00009094	E07247	4	Locking screw (2 Stk.)
31	G07839008	E01953	2	Hex nut (10 Stk.)
36	G00007041	E05975	4	Selflocking nut with serrated bearing (5
54	G00009016	E04631	1	Hexagon screw with serration (5 Stk.)
83	G00008061	E04597	4	Stop buffer
86	G06920015	E11584	1	Tow hook
87	G06922007	E11585	1	Steering shaft
88	G07823011	E04330	4	Circlip for drilled hole (5 Stk.)
89	G07830033	E07637	2	Deep groove ball bearing
90	G07822016	E08664	1	Circlip for shaft
91	G06922001	E11586	1	Pinion 9 teeth
92	G07865027	E10595	1	Feather key (2 Stk.)
93	G00042008	E06187	1	Detent edge disc
95	G06922027	E11587	1	Two-spoke steering wheel
96	G00010133	E12385	1	Disc
97	G00009108	E08177	1	Hexagon screw with serration (3 Stk.)
98	G06922028	E11588	1	Covering cap for handlebar
99	G00028052	E11714	2	DU bush (2 Stk.)
101	G07934001	E11590	4	Joint head
102	G07839015	E03921	4	Hex nut (4 Stk.)
104	G06922005	E11592	2	Joint sleeve
105	G06922006	E11593	1	Pinion bearing
106	G07833041	E11594	4	Hexagon socket head cap screw (10 Stk.)
107	G00006060	E11595	2	O-ring (10 Stk.)
108	G07830030	E06988	3	Deep groove ball bearing
109	G00007054	E08241	1	Selflocking nut with serrated bearing
110	G07809011	E03919	1	Disc (10 Stk.)
111	G00009111	E08291	1	Locking screw
412	G07833020	E07642	1	Hexagon socket head cap screw (2 Stk.)
413	G00007052	E07876	1	Connection nut (2 Stk.)
627	G06920213	G06920213	2	Joint sleeve
628	G06922203	G06922203	1	Pinion plate
629	G06920212	G06920212	2	Steering bar
630	G06920214	G06920214	1	Front axle

Axle front with wheels



Axle front with wheels

Item	Part-No.		Quantity	Description
5	G07838026	E03932	2	Hexagon screw (10 Stk.)
6	G00007042	E06037	4	Selflocking nut with serrated bearing (3
70	G06930003	E11574	1	Swing axle total
71	G00028025	E06504	2	DU flanged bush (4 Stk.)
72	G06930002	E11575	1	Bearing angle
73	G07838079	E08658	6	Hexagon screw
76	G06921008	E11578	1	Right hand front wheel 15X5.00-6
77	G06921009	E11579	1	Left hand front wheel 15X5.00-6
78	G06950011	E11580	2	Front wheel rim
79	G06950012	E11581	2	Front wheel brace 15X5.00-6
80	G00009085	E06761	8	Hexagon screw (2 Stk.)
158	G07822012	E07552	4	Circlip for shaft (2 Stk.)
211	G07838044	E05609	4	Hexagon screw (5 Stk.)
591	G00029030	G00029030	2	Screw plug
592	G00006065	G00006065	2	O-ring
593	G07847028	E08504	4	Shim (5 Stk.)
594	G06921202	G06921202	2	Wheel hub
595	G07830019	E04737	4	Deep groove ball bearing
596	G07823002	E02105	4	Circlip for drilled hole (2 Stk.)
597	G00028070	G00028070	4	DU flanged bush
598	G06920205	G06920205	1	Front axle
599	G06920209	G06920209	1	Axle leg left
600	G06920210	G06920210	1	Axle leg right
601	G06920215	G06920215	2	Threaded strip
602	G07903002	E05868	2	Lubricating nipple (3 Stk.)

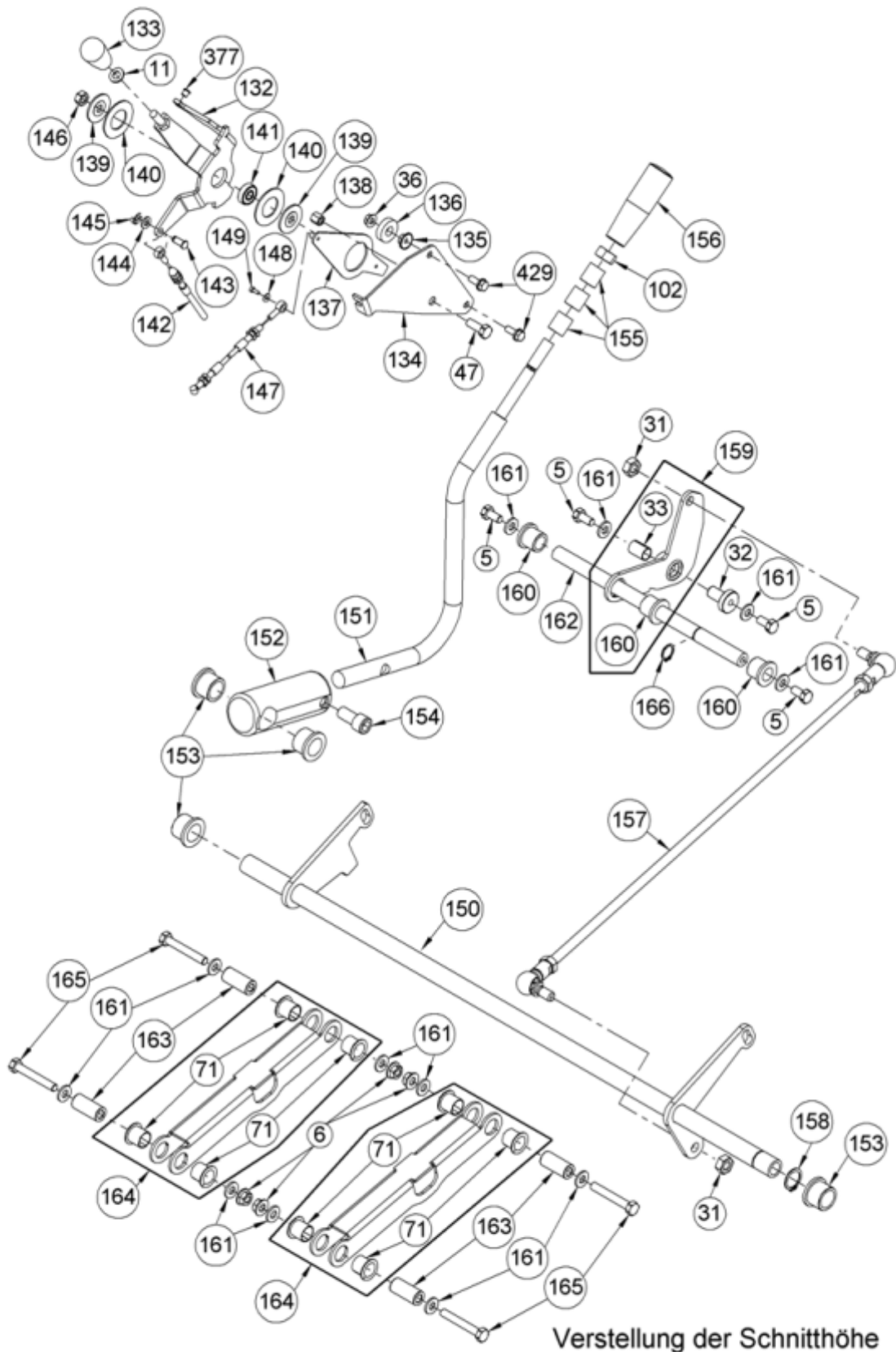
Drive lever

Item	Part-No.		Quantity	Description
6	G00007042	E06037	6	Selflocking nut with serrated bearing (3
27	G07830014	E04345	1	Deep groove ball bearing
30	G07847048	E08172	1	Shim (10 Stk.)
36	G00007041	E05975	2	Selflocking nut with serrated bearing (5
54	G00009016	E04631	6	Hexagon screw with serration (5 Stk.)
80	G00009085	E06761	2	Hexagon screw (2 Stk.)
83	G00008061	E04597	2	Stop buffer
128	G00020163	E11397	1	Brake pedal cable
141	G07830031	E07211	2	Deep groove ball bearing
148	G07880009	E07936	6	Disc (5 Stk.)
167	G06922020	E11619	1	Drive lever tube
168	G06922019	E11620	1	Drive lever pin
169	G07904005	E11621	1	Ball (2 Stk.)
170	G07853035	E06617	3	Spring pin (2 Stk.)
171	G07838043	E04750	1	Hexagon screw (3 Stk.)
172	G07906001	E06261	1	Self-locking hex nut (6 Stk.)
173	G06922021	E11622	1	Drive lever sleeve
174	G07838025	E03930	1	Hexagon screw (5 Stk.)
176	G00019050	E03076	1	Slide washer (2 Stk.)
177	G06822021	E08413	1	Drive lever left
178	G07830003	E02104	1	Deep groove ball bearing
179	G06822033	E08455	1	Bearing flange
180	G07856006	E03319	4	Disc spring (10 Stk.)
181	G00007044	E06130	2	Hex nut
182	G07861005	E07877	1	Disc (2 Stk.)
183	G07837024	E04058	1	Hexagon screw (10 Stk.)
184	G06922023	E11624	1	Release lever
185	G07856010	E04337	2	Disc spring (5 Stk.)
186	G06822031	E08449	2	Bearing washer
188	G00002040	E06475	1	Draw spring
192	G00008143	E11628	1	Ball handle
193	G06834005	E08454	1	Brake bracket
194	G07837008	E02926	1	Hexagon screw (10 Stk.)
195	G07906002	E06667	1	Self-locking hex nut (10 Stk.)
196	G06934005	E11630	1	Brake rod total
197	G06925005	E11631	1	Drive rod total
198	G00039005	E08459	2	Folding spring bolt
199	G06925001	E11642	1	Drive lever total
248	G07861006	E07940	1	Disc
273	G07846016	E08540	3	Self-locking hex nut (5 Stk.)
446	G06922043	G06922043	1	Drive lever total
447	G06922041	G06922041	1	Replaced by G06922456
 447	G06922456	G06922456	1	Drive lever
448	G07830054	G07830054	2	Deep groove ball bearing
449	G06922042	G06922042	1	Drive lever roller
450	G00024069	G00024069	1	Sleeve
451	G07818001	E01188	1	Hex nut (2 Stk.)

Drive lever Page 2

Item	Part-No.		Quantity	Description
452	G00008203	G00008203	1	Immersion hose
588	G06922201	G06922201	1	Bearing plate
626	G07833052	G07833052	3	Hexagon socket head cap screw

Adjustment of cutting height



Adjustment of cutting height

Item	Part-No.		Quantity	Description
5	G07838026	E03932	4	Hexagon screw (10 Stk.)
6	G00007042	E06037	4	Selflocking nut with serrated bearing (3
11	G07809004	E01905	1	Disc (20 Stk.)
31	G07839008	E01953	2	Hex nut (10 Stk.)
32	G06525054	E07158	1	Tension lever bearing
33	G00028027	E06473	1	DU bush
36	G00007041	E05975	1	Selflocking nut with serrated bearing (5
47	G07838047	E05320	1	Hexagon screw (10 Stk.)
71	G00028025	E06504	8	DU flanged bush (4 Stk.)
102	G07839015	E03921	1	Hex nut (4 Stk.)
132	G06922008	E11603	1	Blade engagement lever
133	G00008141	E11604	1	Cylinder button
134	G06922030	E11605	1	Reinforcement
135	G00007066	E10591	1	Nut with spring washer (10 Stk.)
136	G00008119	E10020	1	Cylindrical spring
137	G06922040	E11607	1	Finger
138	G00007025	E03706	1	Special nut (10 Stk.)
139	G00010130	E11606	2	Special disc
140	G00010102	E07221	2	Thrust washer
141	G07830031	E07211	1	Deep groove ball bearing
142	G00020161	E11395	1	Blade drive cable
143	G00012027	E08451	1	Bolt for anti-folding mechanism
144	G07809006	E01940	1	Disc (10 Stk.)
145	G00027016	E08452	1	Anti-folding mechanism (5 Stk.)
146	G07839003	E01906	1	Hex nut (10 Stk.)
147	G00020166	E11524	1	Tow line
148	G07880009	E07936	1	Disc (5 Stk.)
149	G07833045	E11608	1	Hexagon socket head cap screw (10 Stk.)
150	G06922032	E11609	1	Retractable axle total
151	G06922010	E11610	1	Adjusting lever
152	G06822029	E08444	1	Adjusting lever pin
153	G00028038	E08445	3	Friction bearing with collar
154	G07833028	E08446	1	Hexagon socket head cap screw
155	G00028053	E11611	3	Friction bearing (3 Stk.)
156	G00008142	E11612	1	Replaced by G00008212
156	G00008212		1	Cylinder button
157	G06922034	E11613	1	Lifter rod total
158	G07822012	E07552	1	Circlip for shaft (2 Stk.)
159	G06922035	E11614	1	Deflection lever + friction bearing
160	G00028054	E11615	3	Friction bearing with collar
161	G07926001	E08403	12	Disc (4 Stk.)
162	G06922012	E11618	1	Lifter brace
163	G06922013	E11617	4	Lift bolts
164	G06922036	E11616	2	Lifting arm + DU bushings
165	G07837015	E03777	4	Hexagon screw (5 Stk.)
166	G07822007	E04326	1	Circlip for shaft (20 Stk.)
377	G00008086	E05973	1	Rubber buffer (2 Stk.)

Adjustment of cutting height Page 2

Item	Part-No.		Quantity	Description
429	G07838006	E01942	1	Hexagon screw (10 Stk.)

Tank and pedal